



Beta Three

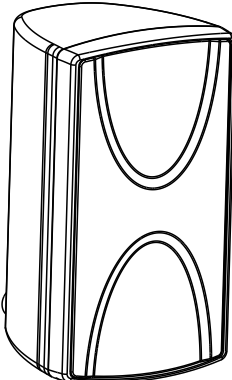
S400





CONTENTS

PRODUCT FEATURES ----- 1
SPECIFICATION ----- 1
ACOUSTIC CHARTS ----- 2
INSTALLATION ----- 7
DIMENSIONS ----- 7
LIMITED WARRANTY ----- 8



S400

PRODUCT FEATURES

2-way 3-transducer full range plastic speaker

Comprising double 4 " high sensitivity, big power pro woofers.

One 25mm silk soft dome tweeter

120° x 120° dispersion

Single-amp. mode

Suits venues like supermarket or coffee house for background music application. Also can be used in conference room or for personal multi-media purpose as a monitor.

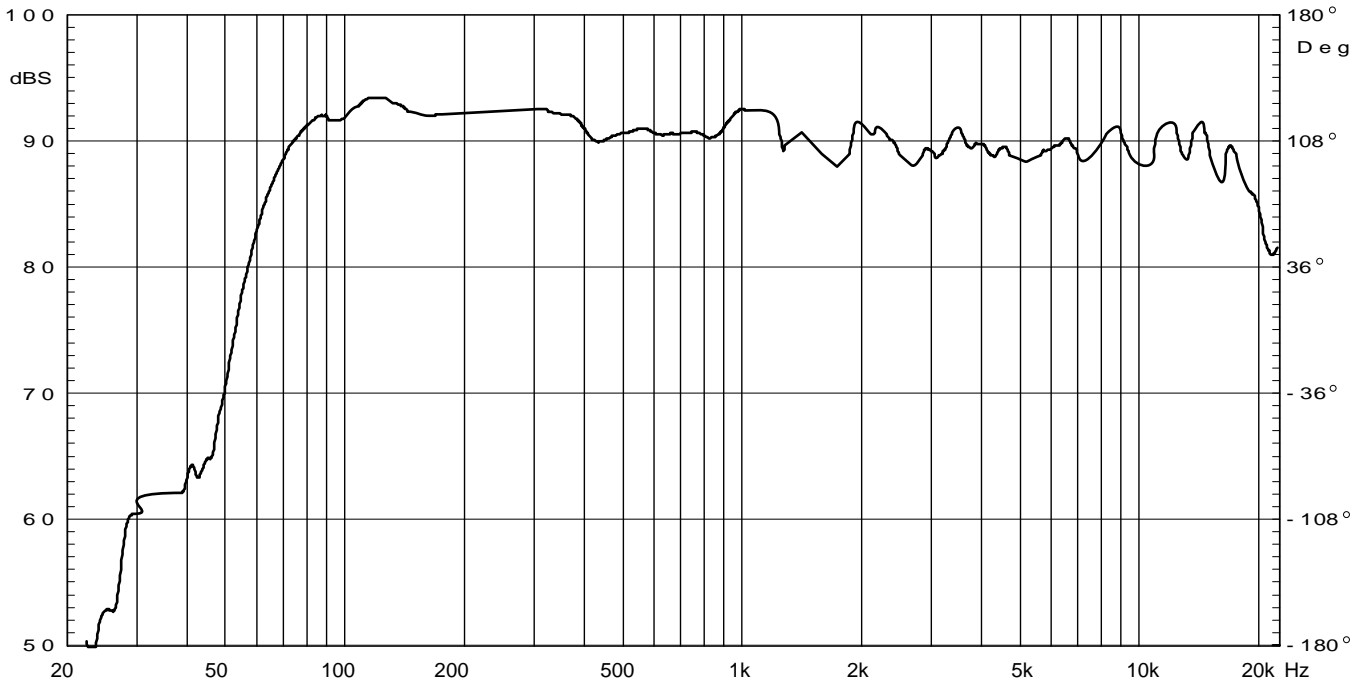
Special mounting bracket is designed for convenient min. 10 ° splay angle adjustment of the cabinet vertically.

SPECIFICATION

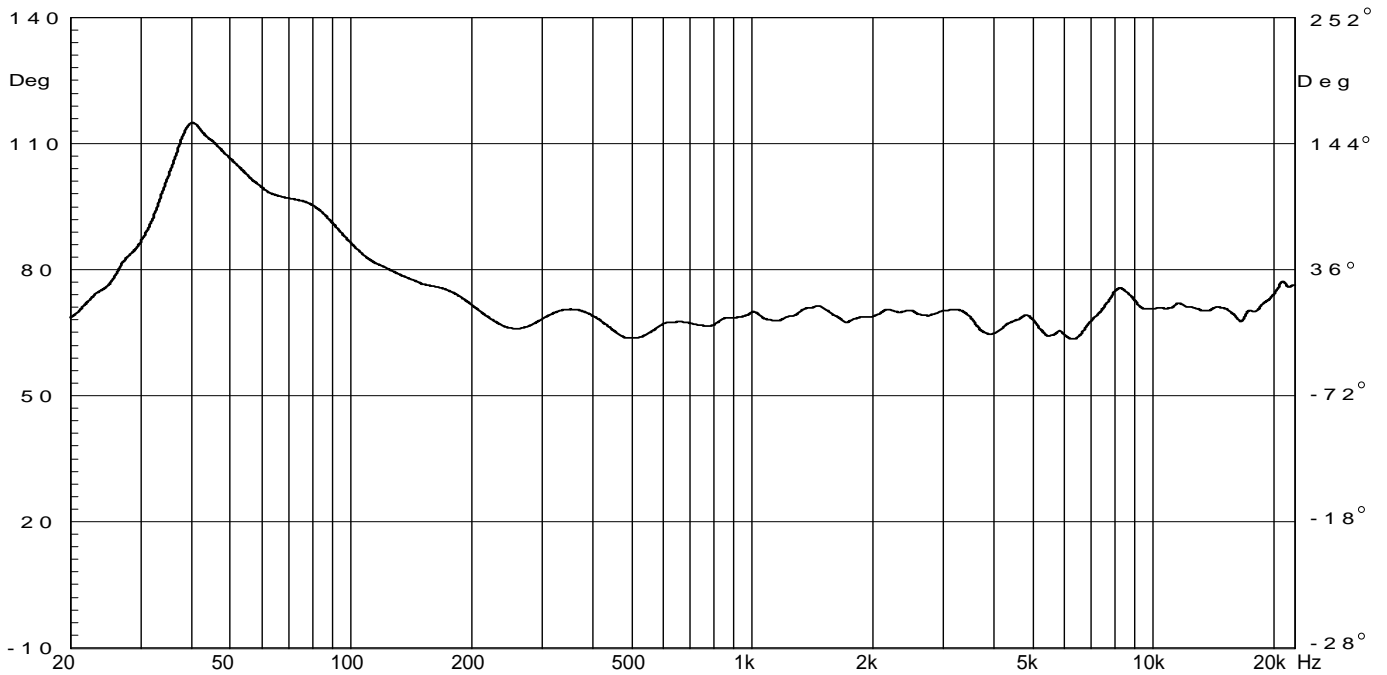
Transducers	LF: 4" x2 HF: 1" x1
Frequency Response(-3dB)	80Hz-20kHz
Sensitivity(1m/1W)	92dB
SPL(1m)	111dB
Max.SPL(1m)	117dB
Power(RMS)	80W
Power(Program)	160W
Power(Peak)	320W
Rated Impedance	4
DC Impedance	3.6
Dispersion(H xV)	120° x120°
Crossover Point	3kHz
THD	< 3%
Input Connectors	1xNL4
Net Weight	4.5kg
Gross Weight	5.5kg
Dimensions (W xD xH)	182 x182 x320mm
Packing Dimensions(W xD xH)	230 x230 x375mm

S400

FREQUENCY RESPONSE

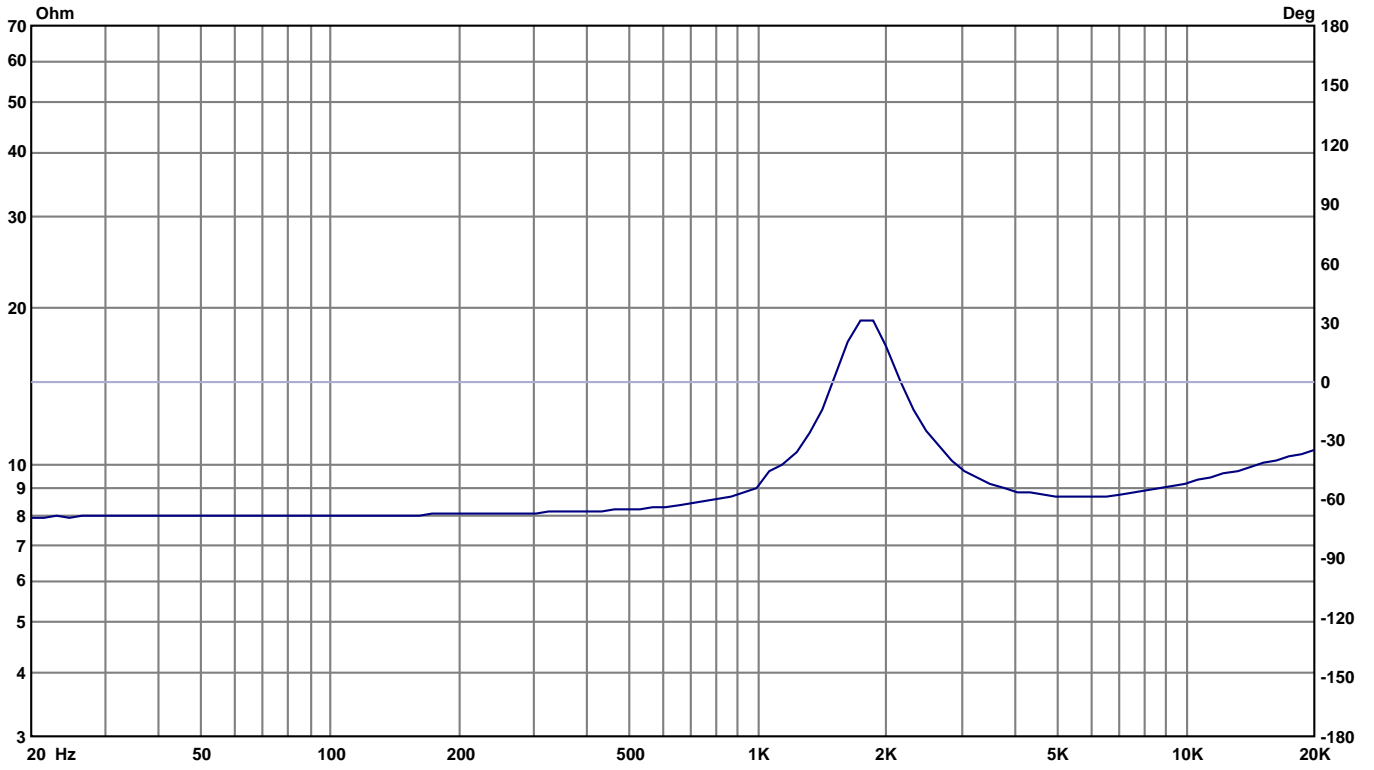


FREQUENCY RESPONSE

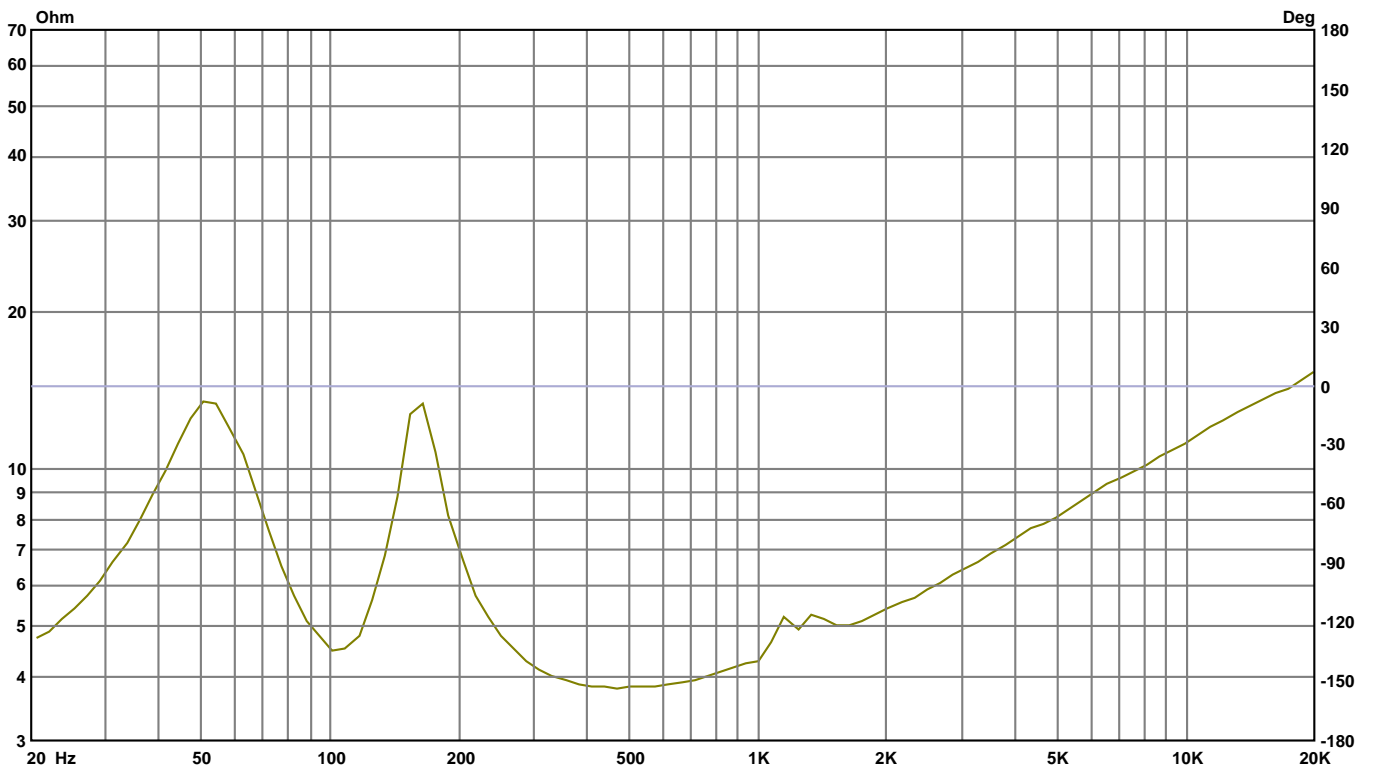


S400

HF IMPEDANCE

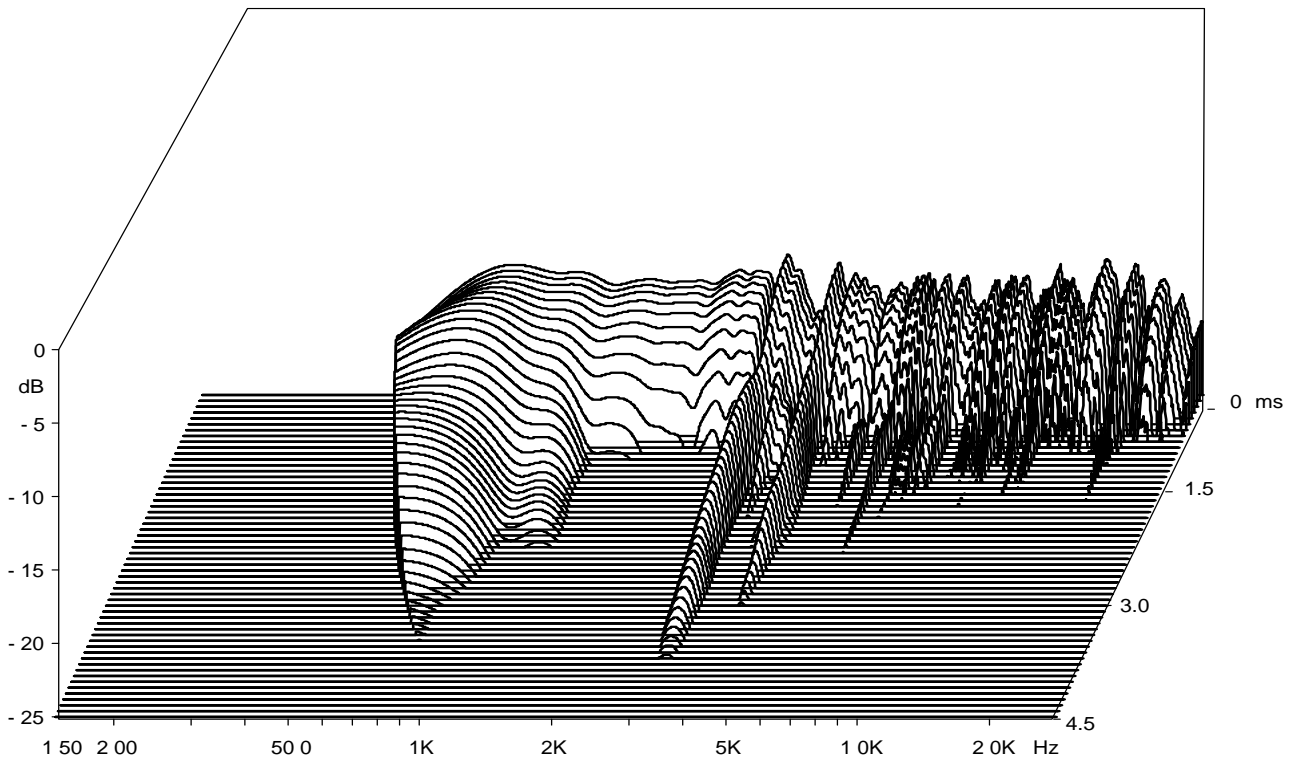


LF IMPEDANCE

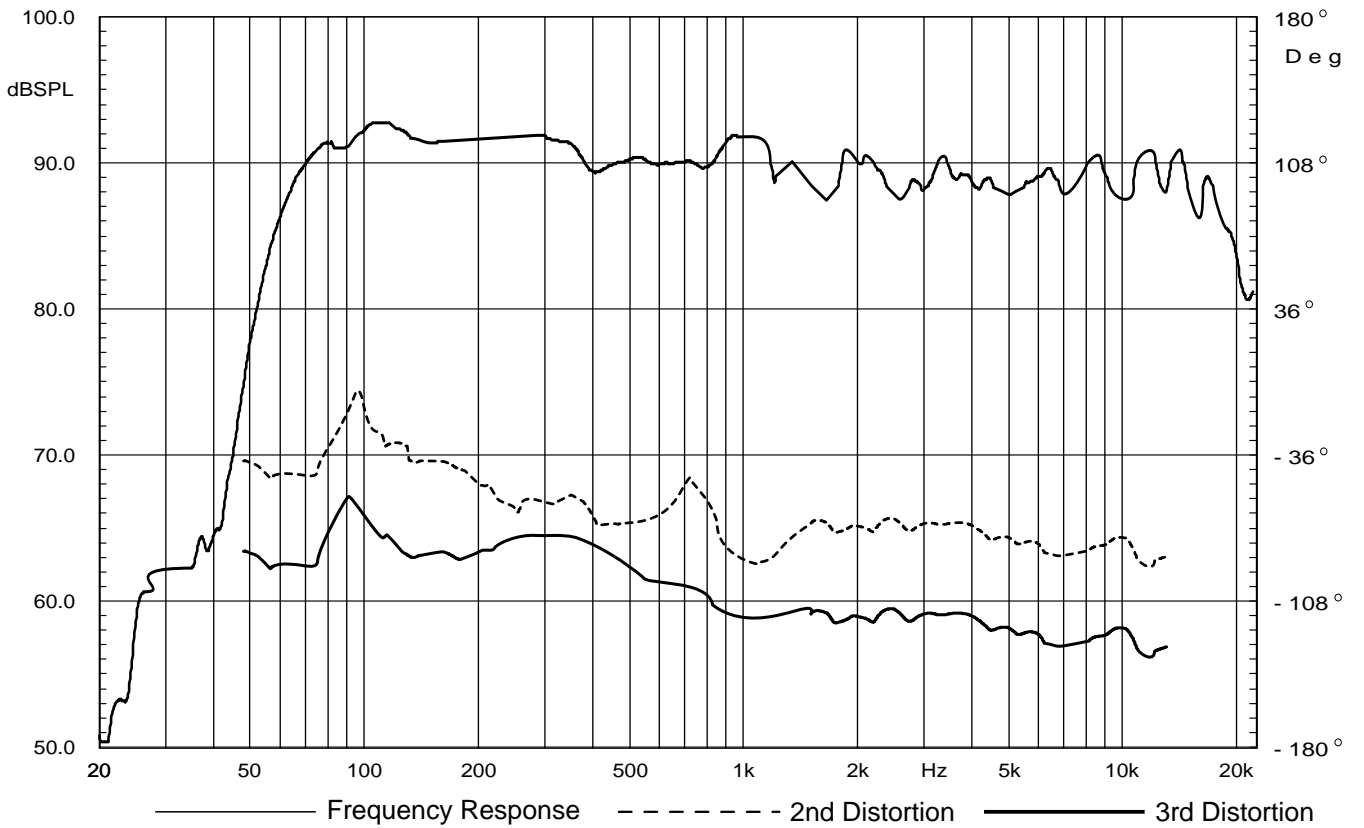


S400

WATERFALL



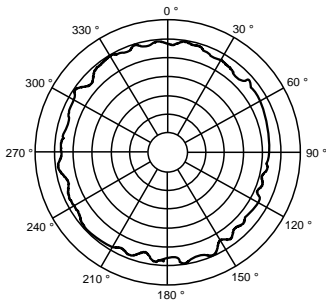
THD



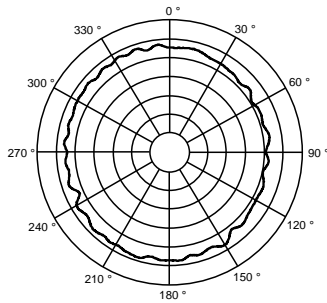
S400

HORIZONTAL DIRECTIVITY

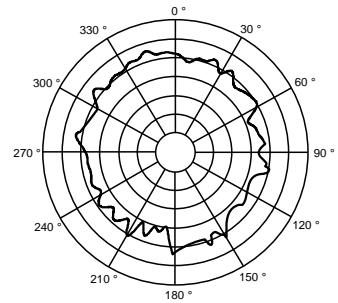
The data of S400 horizontal directivity were collected by testing the speaker system in a big anechoic chamber.



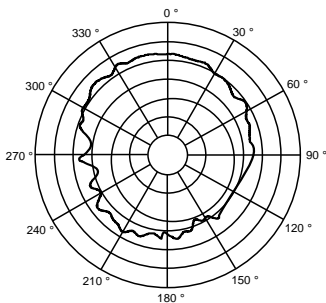
100Hz



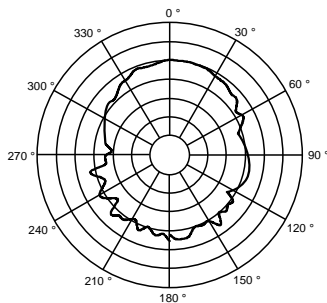
160Hz



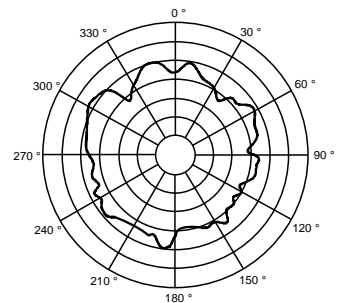
200Hz



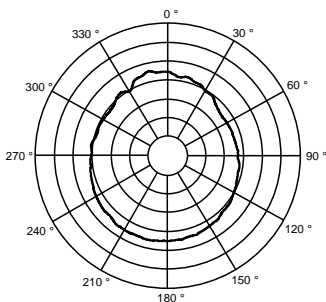
400Hz



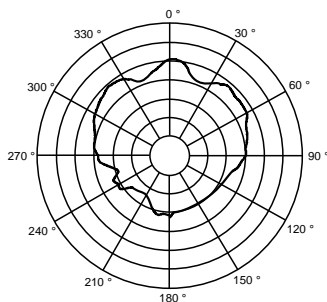
630Hz



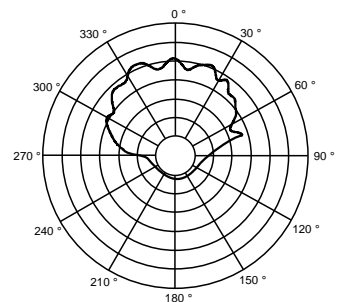
1.0kHz



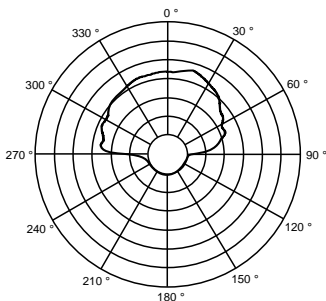
1.6kHz



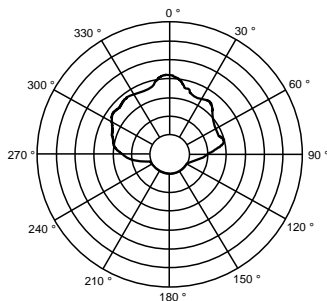
2.5kHz



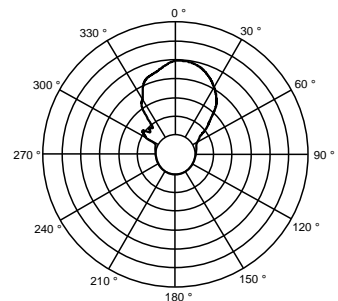
3.15kHz



6.3kHz



10kHz



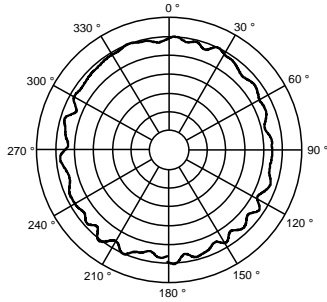
16kHz

The scale is stepped by 6dB increment.

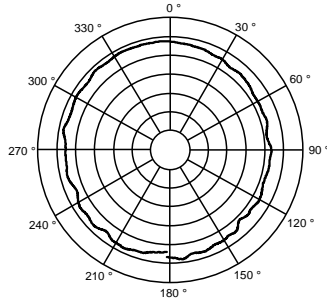
S400

VERTICAL DIRECTIVITY

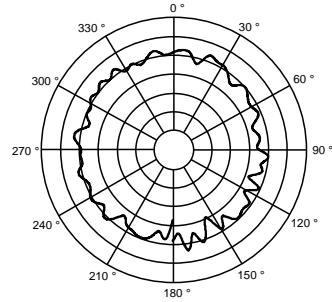
The data of S400 vertical directivity were collected by testing the speaker system in a big anechoic chamber.



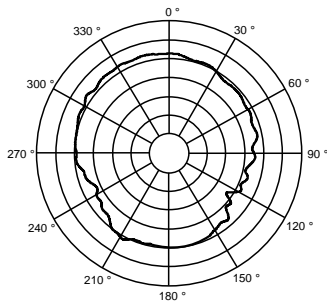
100Hz



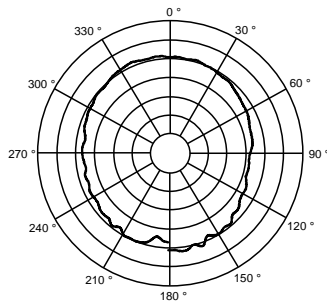
160Hz



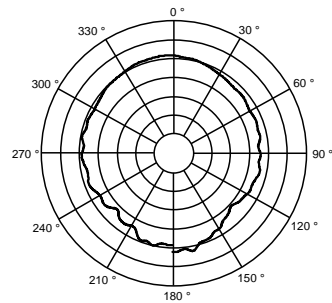
200Hz



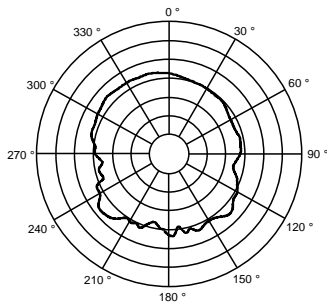
400Hz



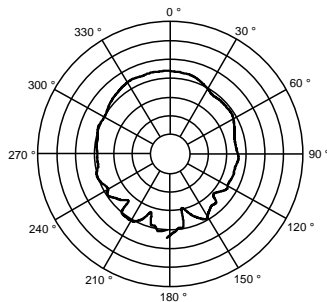
630Hz



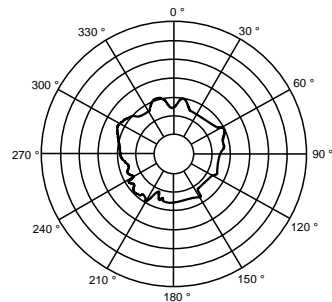
1.0kHz



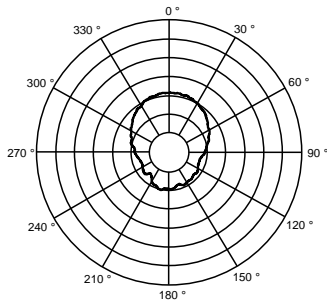
1.6kHz



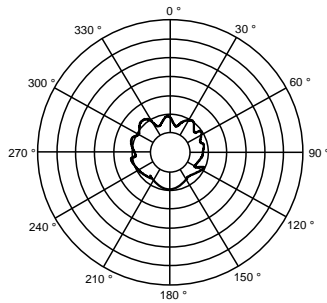
2.5kHz



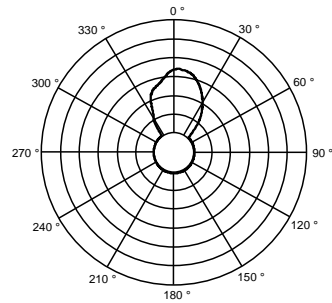
3.15kHz



6.3kHz



10kHz

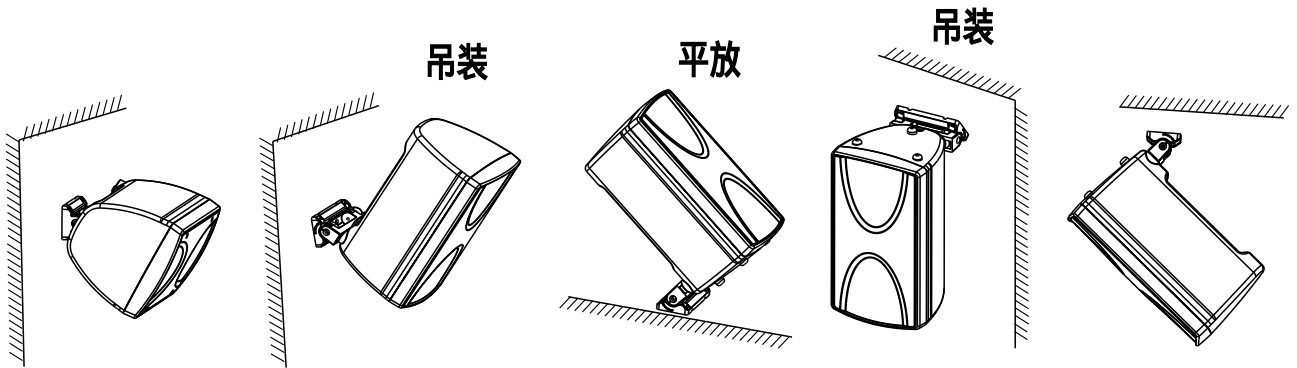


16kHz

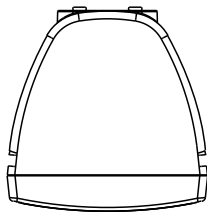
The scale is stepped by 6dB increment.

S400

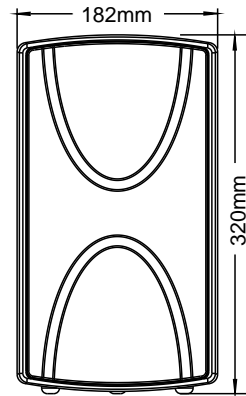
INSTALLATION



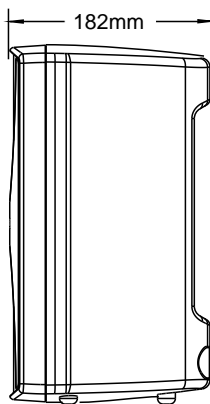
DIMENSIONS



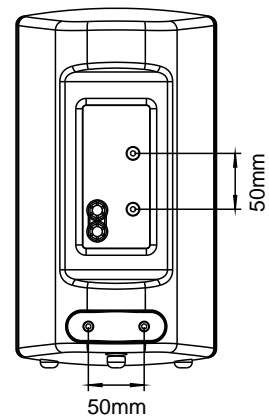
Top view



Front view



Side view



Back view

LIMITED WARRANTY

If malfunction occurs during the specified warranty period from the date of original purchase, the product will be repaired or replaced without charge by Elder Audio.

The Limited Warranty does not apply to:

- (a) exterior finish or appearance;
- (b) certain specific items described in the individual product data sheet or owner's manual;
- (c) malfunction resulting from use or operation of the product other than as specified in the individual product data sheet or owner's manual;
- (d) malfunction resulting from misuse or abuse of the product;
- (e) malfunction occurring at any time after repairs have been made to the product by anyone other than Elder Audio Service or any of its authorized service representatives.

To obtain warranty service, customer must deliver proof of purchase of the product in the form of a bill of sale or receipt invoice.

S400 Speakers and Speaker Systems are guaranteed against malfunction due to defects in materials or workmanship for a period of three (3) years from the date of original purchase. The Limited Warranty does not apply to burned voice coils or malfunctions such as cone and/or coil damage resulting from improperly designed enclosures. Additional details are included in the Limited Warranty statement.

S400 Accessories are guaranteed against malfunction due to defects in materials or workmanship for a period of one (1) year from the date of original purchase. Additional details are included in the Limited Warranty statement.

S400 Flying Hardware (including enclosure-mounted hardware and rigging accessories) is guaranteed against malfunction due to defects in materials or workmanship for a period of one (1) year from the date of original purchase. Additional details are included in the Limited Warranty statement.

Specifications are subject to change without notice.



Beta Three

S400