



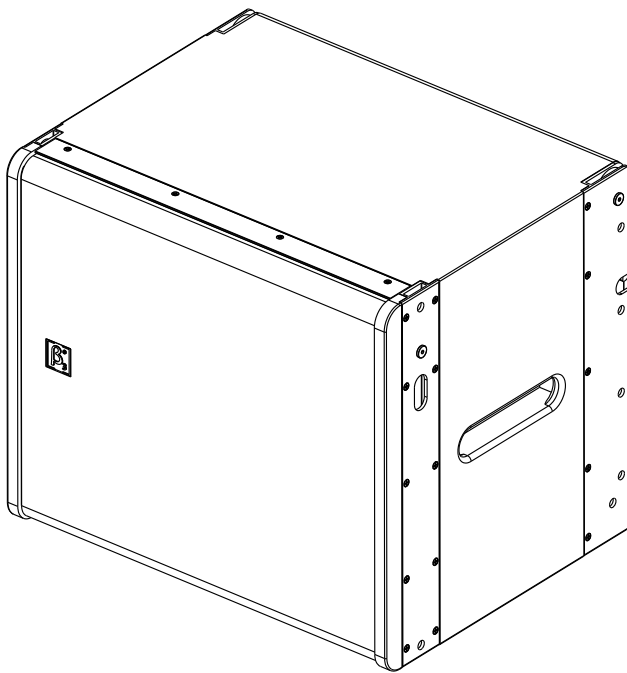
Beta Three

# SLA212B

Dual 12" Passive Subwoofer

SLA Series Line Array System

## User Manual





UM-SLA212B-20130527 ver A



# SAFETY INSTRUCTIONS


## PLEASE READ THIS MANUAL FIRST

Thank you for a buying  $\beta_3$  product. Read this manual first as it will help you operate the system properly. Please keep this manual for future reference.

**⚠ WARNING:** *This product must be installed by professionals. When using hanging brackets or rigging other than those supplied with the product, please ensure they comply with the local safety codes.*

	<b>CAUTION</b> RISK OF ELECTRICAL SHOCK DO NOT OPEN	
CAUTION: TO REDUCE THE RISK OF ELECTRIC SHOCK, DO NOT REMOVE COVER (OR BACK). NO USER-SERVICABLE PARTS INSIDE. REFER SERVICING TO QUALIFIED PERSONNEL.		

	<b>AVIS</b> RISQUE DE CHOC ÉLECTRIQUE NE PAS OUVRIR	
ATTENTION : POUR RÉDUIRE LE RISQUE DE DÉCHARGE ÉLECTRIQUE, NE RETIREZ PAS LE COUVERCLE (OU L'ARRIÈRE). IL NE SE TROUVE À L'INTÉRIEUR AUCUNE PIÈCE POUVANT ÊTRE RÉPARÉE PAR L'USAGER. S'ADRESSER À UN RÉPARATEUR COMPÉTENT.		

 *The exclamation point within an equilateral triangle is intended to alert you to the presence of important operating and servicing instructions.*

**⚠ ATTENTION:** *Don't refit the system or spare parts without being authorized as this will void the warranty.*


**⚠ WARNING:** *Don't place naked flames (such as candles) close to the equipment.*

1. Read the instruction manual first before using this product.
2. Please keep this manual for future reference
3. Pay attention to all warnings.
4. Obey all operating instructions.
5. Do not expose this product to rain or moisture.
6. Clean this equipment with a dry cloth.
7. Do not block any ventilation openings. Install according to manufacturer's instructions .
8. Do not install this product near any heat source, such as a, heater, burner, or any other equipment with heat radiation .
9. Only use spare parts supplied by the manufacturer.
10. Pay attention to the safety symbol on the outside of the cover.



## CONTENT

INTRODUCTION	3
Features	3
Description	3
Applications	3
CONNECTION	4
Terminal Plate	4
NL4 Connection	4
System Connection Reference	4
INSTALLATION	5
Installation Guidance	5
TECHNICAL SPECIFICATION	6
Specification Sheet	6
Frequency Response and Impedance Curve	6
2D Dimension	7

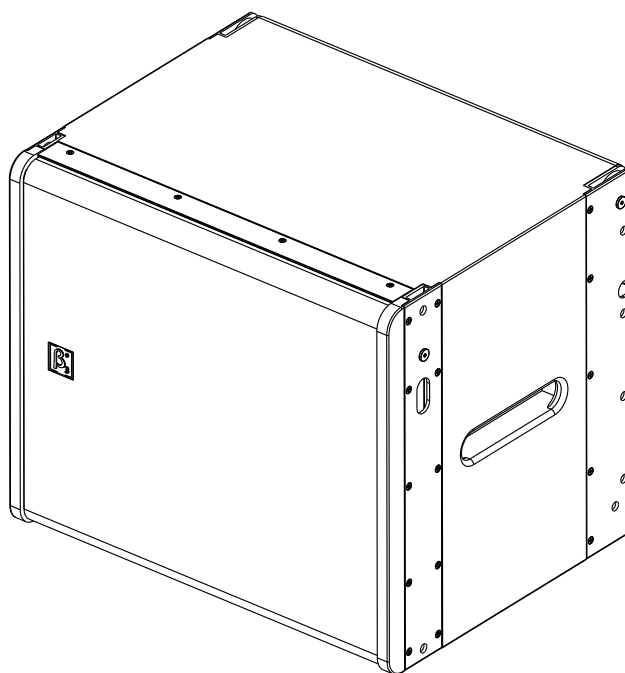
 Product information is subject to change without prior notification. Please visit [www.elderaudio.com](http://www.elderaudio.com) for latest updates.

# SLA212B

Dual 12" Passive Subwoofer

## Features

- Dual 12" high-power woofer.
- Computer aided design to optimize frequency and phase response.
- Frequency response range: 55Hz-1kHz (-3dB).
- Sensitivity 94dB, MAX. SPL 120dB/126dB(PEAK).
- Rated power 800W.
- 2xSLA10H and 1xSLA212B make up an excellent point source system.
- With the customized hanging wares, the system can be used both for hanging and be put on the ground.



## Description

3<sup>®</sup> SLA212B is a compact subwoofer. It is used in middle to large size venues demanding high SPL and reliability. It helps building perfect playback system cooperating with T Series full range products.

Band-pass design helps SLA212B perform high SPL with small volume. The driver uses high powered 10mm diameter voice coil which is wrapped by copper wires outside. Voice coil Skelton is made of TIL material that improves the tolerance of voice coil power suffering. Ferrite magnetic circuit provides very high BL and line magnetic circuit.

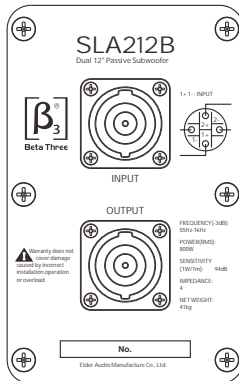
Power compression reduces by good heat radiating performance and harmonic distortion also does so by iron choking ring limiting current. Rated power can reach 8000w and short max power is up to 32000w to (GB/T9396-1996 Standard).

## Applications

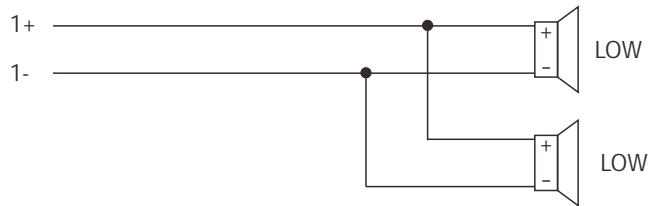
- Small Auditorium
- Multifunctional Hall
- Disco Hall
- Small Performance
- Karaoke Room

Two NL4 connectors are available for amplifier connections. Paralleled connector is very convenient for another speaker connection.

### Terminal Plate

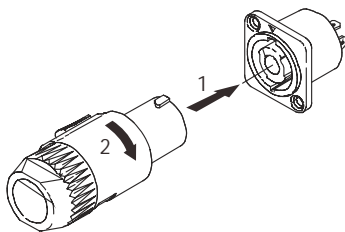


1+ 1- INPUT

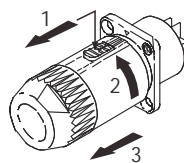


### NL4 Connection

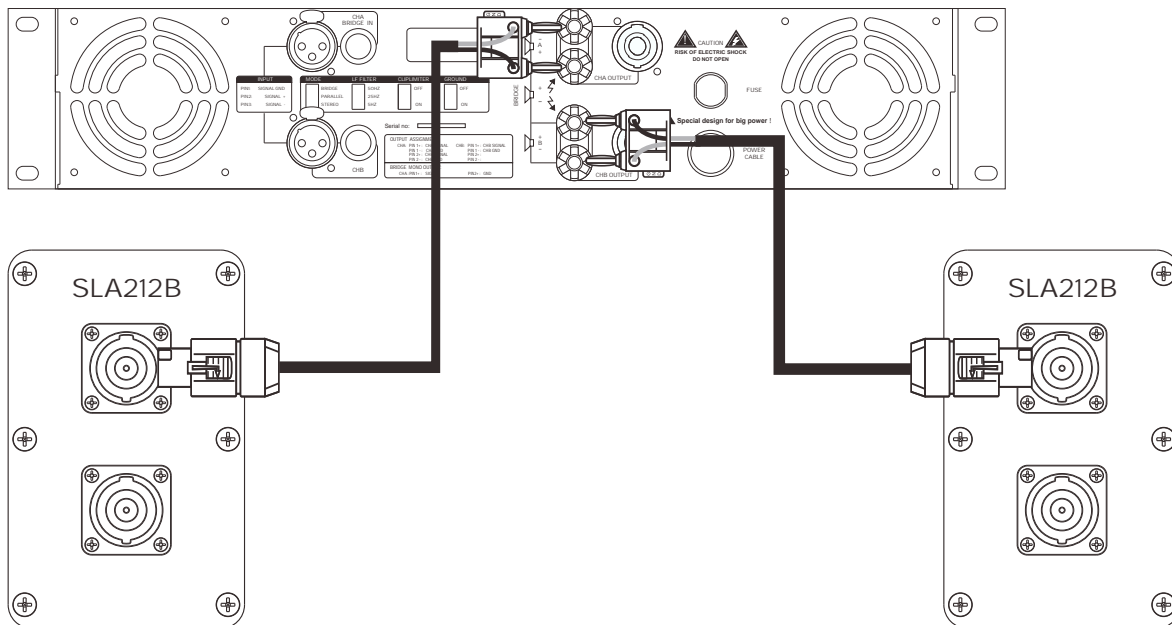
1. Connect



2. Disconnect



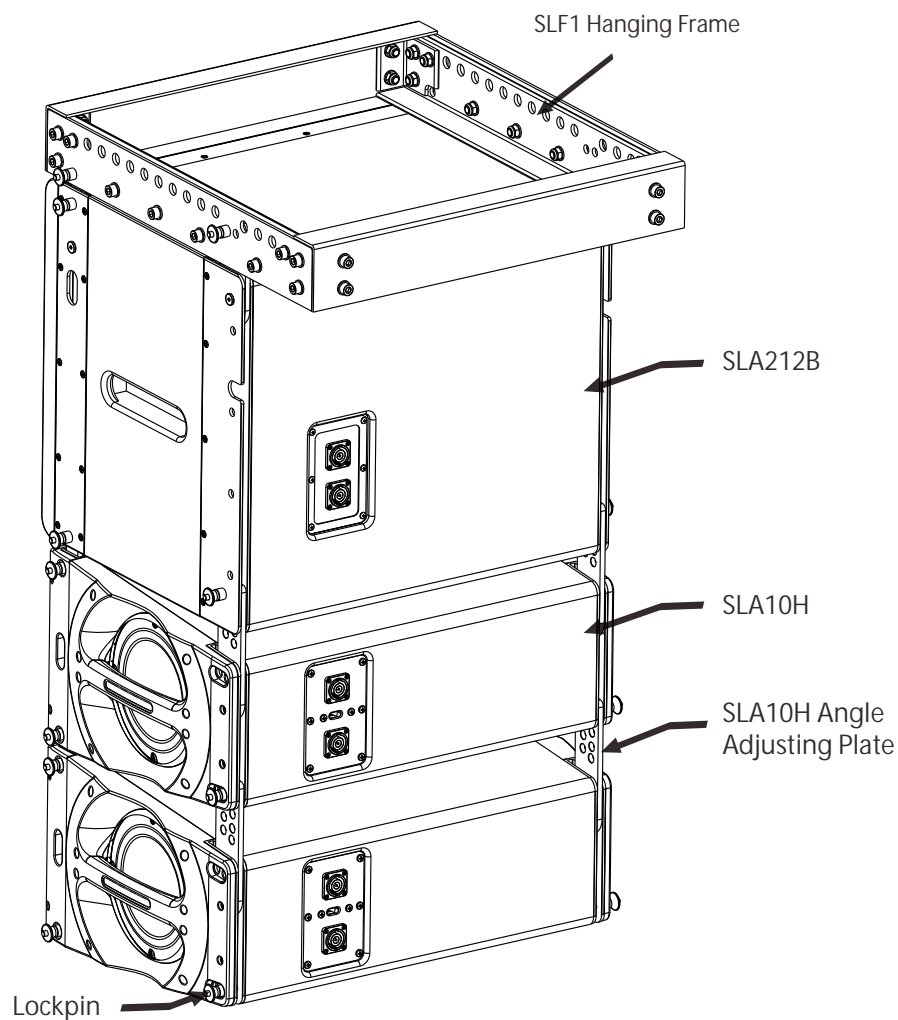
### System Connection Reference



- Attention: The impedance of connected speaker must match the impedance of amplifier output.
- Attention: Make sure the polarity of speaker and amplifier correctly.

## Installation Guidance

- (1) SLA212B has customized hanging wares for convenient and easy hanging and installation.
- (2) The hanging wares include SLF1 hanging bracket, SLA10H cabinet front and rear hanging ware and the lockpins.
- (3) The rear hanging ware is fixed on the cabinet for easy and fast field vertical angle adjustment between the speakers.
- (4) The hanging frame of SLF1 is welding steel frame, which can hang multiple SLA10H. But optional accessories are provided according to actual requirements.



**Warning:** Make sure the mounting accessories safety factor not less than 5:1 or meet the local standard during installation.

Specification Sheet

System:	Passive low-frequency speaker
Woofer:	2 x 12" Woofer
Frequency response(-3dB) <sup>1</sup> :	55Hz-1kHz
Frequency response(-10dB):	50Hz-1kHz
Sensitivity(1W@1m) <sup>2</sup> :	94dB
Max.SPL(1m) <sup>3</sup> :	120dB/126dB(PEAK)
Power:	800W (RMS) <sup>4</sup> 1600W (MUSIC) 3200W (PEAK)
Rated impedance:	4 Ohms
Cabinet:	Plywood
Mounting accessories:	Specialized hardware
Handle:	2 x Wooden handle
Surface:	Black Polyurethane painting for cabinet & Black Powder coated grille, Grill with cloth.
Connector:	NL4x2(one input, one output)
Cabinet dimension: (W x D x H)	616 x 487 x 530mm (24.3 x 19.2 x 20.9in)
Package dimension: (W x D x H)	726 x 598 x 650mm (28.6 x 23.5 x 25.6in)
N.W.(PC):	41kg(90.2 lb)
G.W.(PC):	45kg(99.0 lb)
Optional mounting accessories:	SLF1 Hanging Frame

Speaker Testing Method

1. Frequency response

Use Pink noise to test the speaker in the anechoic room, adjust the level to make the speaker work at its rated impedance and the power output is 1W, then test the frequency response 1m away from the speaker.

2. Sensitivity

Use full range Pink noise which was modified by EQ curve to test the speaker in the anechoic room, enlarge the signal to make the speaker work at its rated impedance and the power output is 1W, then test the sensitivity 1m away from the speaker.

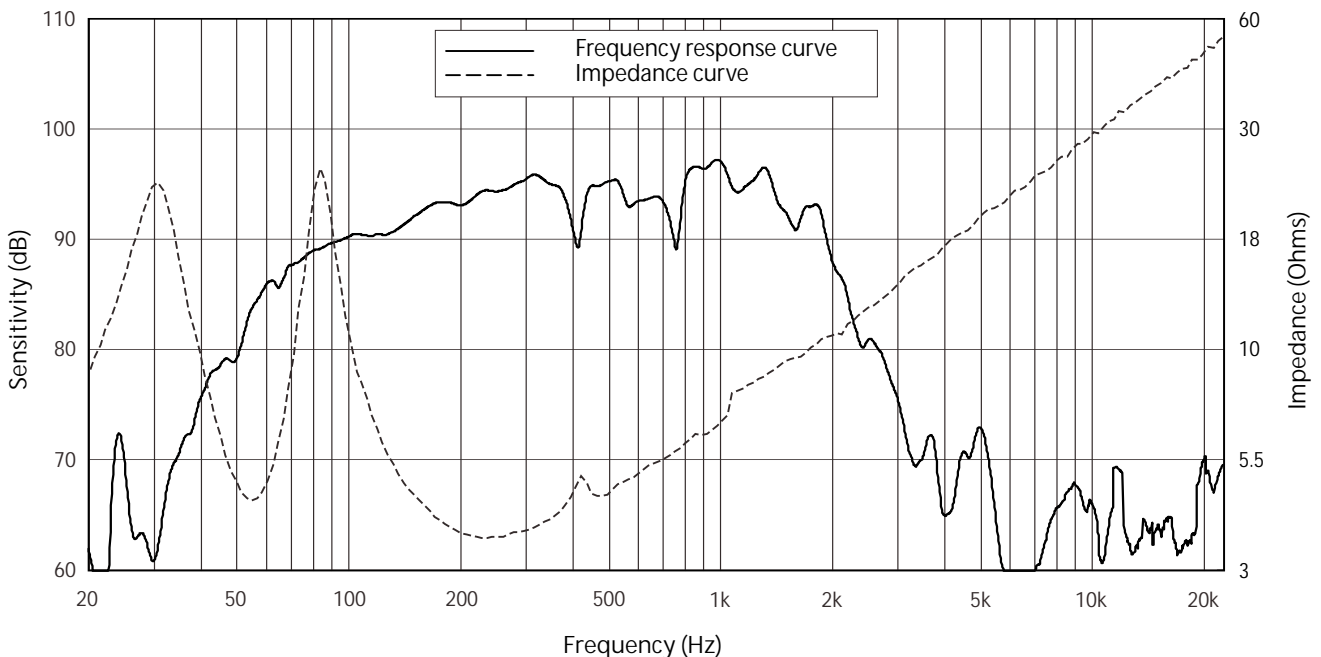
3. MAX.SPL

Use full range Pink noise which was modified by EQ curve to test the speaker in the anechoic room, enlarge the signal to make the speaker work at its instant power output level, then test the SPL 1m away from the speaker.

4. Rated Power

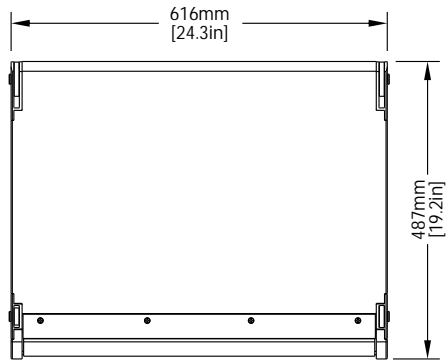
Use the pink noise according to IEC#268-5 to test the speaker, enlarge the signal for continuous 100hours, the rated Power is the power when the speaker will not incur hot damage or mechanics damage.

Frequency response curve & Impedance curve

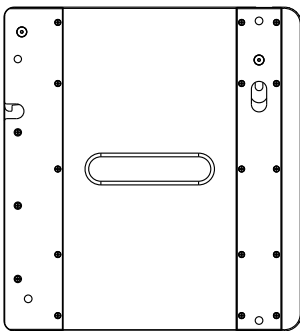


2D Dimension

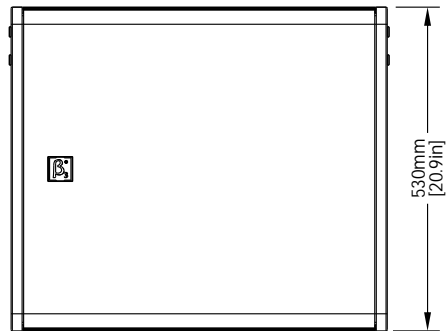
Top view



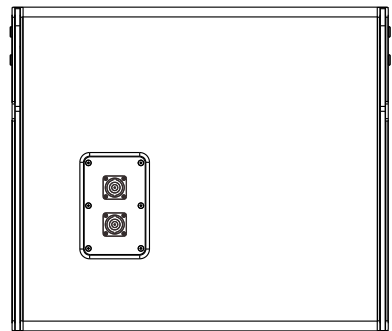
Side view



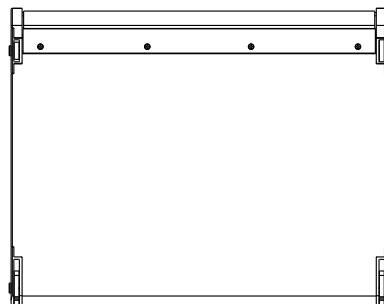
Front view



Back view



Bottom view





Notes:



**Beta Three**