

Beta Three

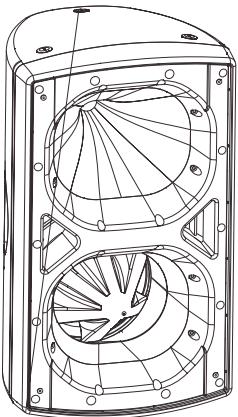
S1200H





CONTENTS

PRODUCT FEATURES	-----
SPECIFICATION	-----
ACOUSTIC CHARTS	-----
INSTALLATION	-----
DIMENSIONS	-----
LIMITED WARRANTY	-----



S1200H

PRODUCT FEATURES

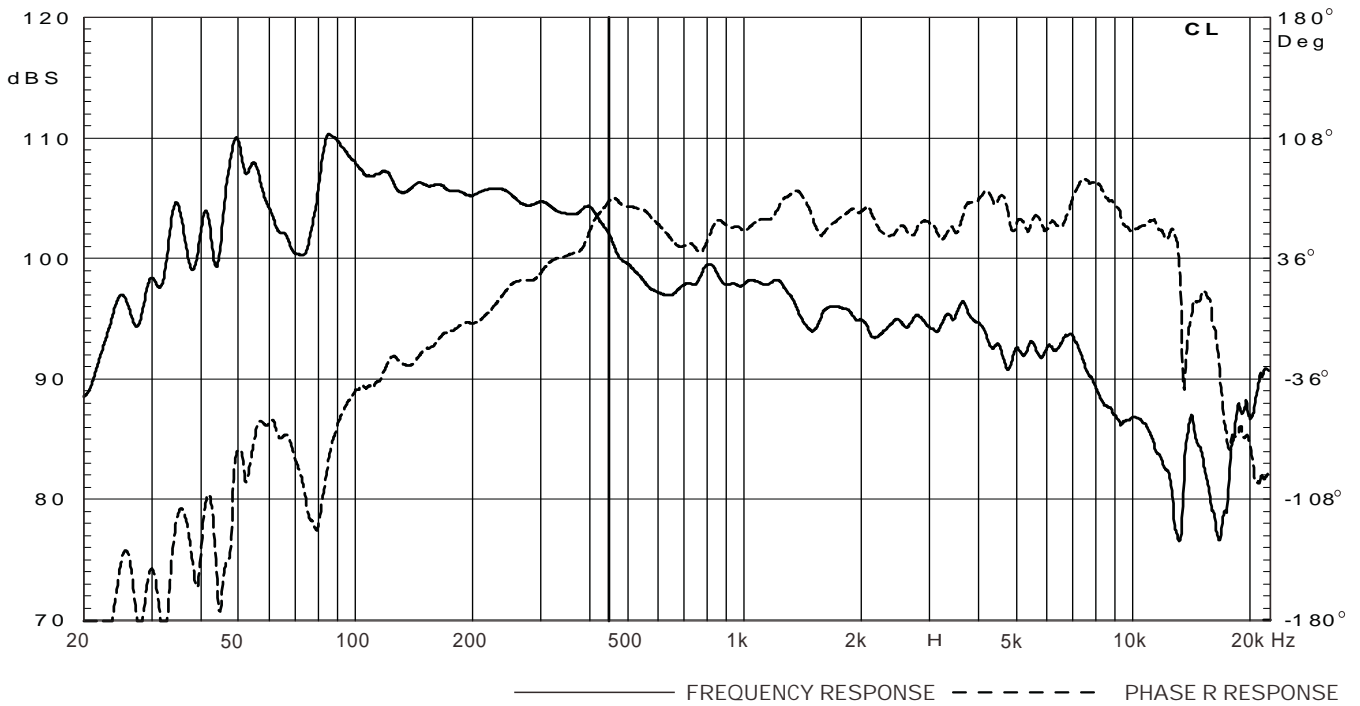
- Two way full range speaker
- One 10 inch efficient bass transducer
- One 3 inch compression tweeter
- The enclosure is injected by high intensity with auxiliary gas tooling mould, through intensify processing inside and surface cosmetic rugged -eroded technology.
- The transducer is designed by computer simulation, short horn loading for middle& low frequency. dynamic big power and high sensitivity is available.
- 60° x 40° dispersion can decrease audio frequency interference to ensure sound definition
- Be suitable for complex middle & long distance venues and sound reinforcement requirements.
- Be applicable for gyms fixed installation venues sound reinforcement.

SPECIFICATION

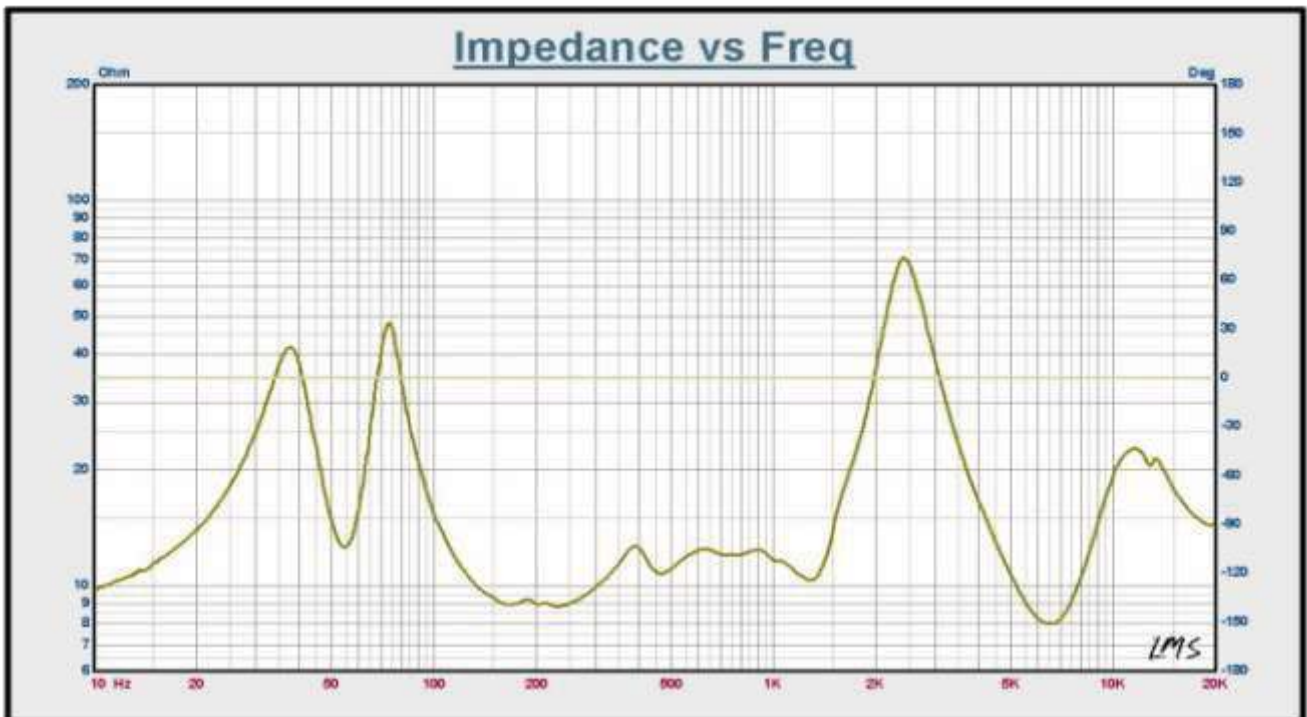
Transducers	1 x 3" HF + 1 x 10" MF
Frequency Response(-3dB)	400Hz -17kHz
Sensitivity(1m/1W)	105dB
SPL(1m)	130dB
Max. SPL(1m)	136dB
Power(RMS)	300W
Power(Program)	600W
Power(Peak)	1200W
Dispersion(HxV)	60°x40°
Rated Impedance	8
DC impedance	6.4
Crossover Point	1.8kHz
THD	<3%
Connectors	2xNL4
Net Weight	26.5kg
Gross Weight	30.5kg
Dimensions(W x D x H)	416x423x721mm
Packing Dimensions(W x D x H)	485x485x792mm

S1200H

FREQUENCY PHASE RESPONSE

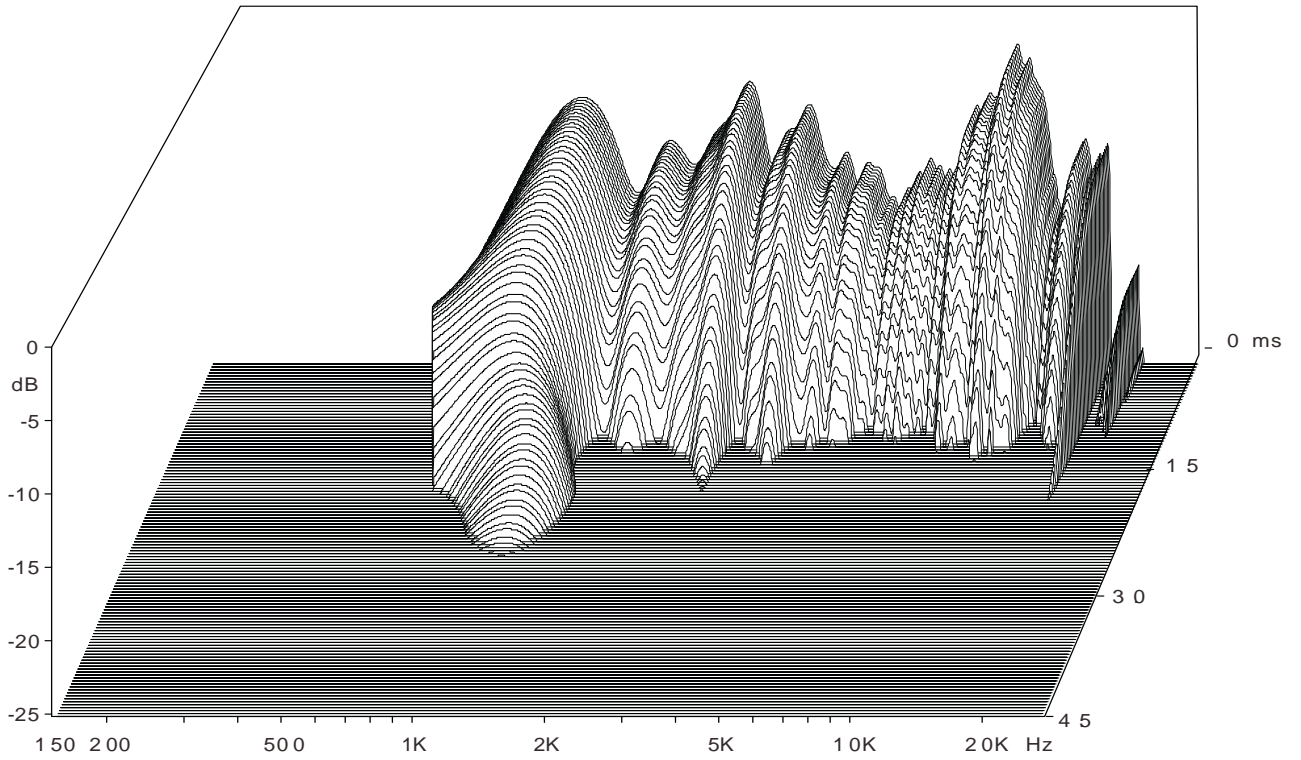


IMPEDANCE RESPONSE

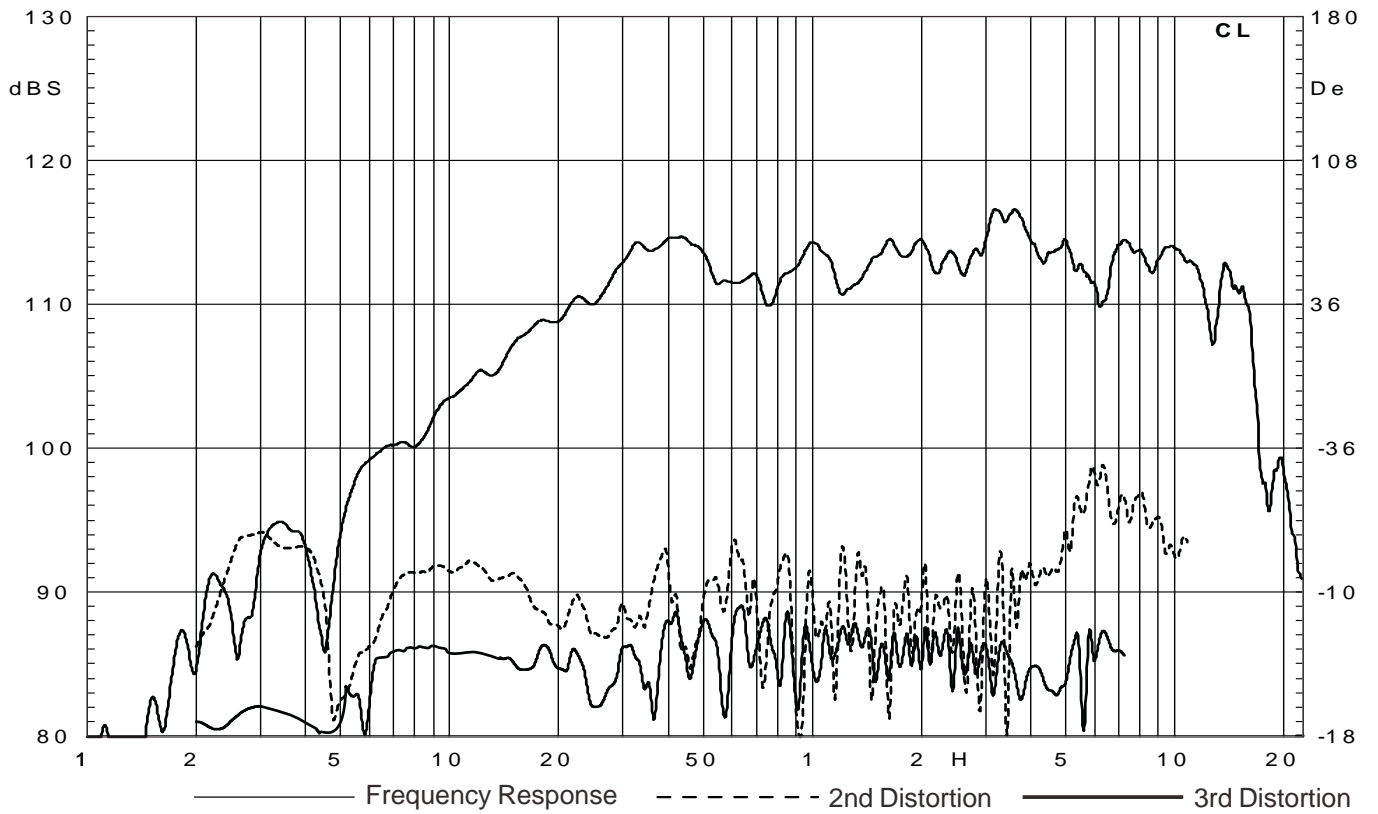


S1200H

WATERFALL



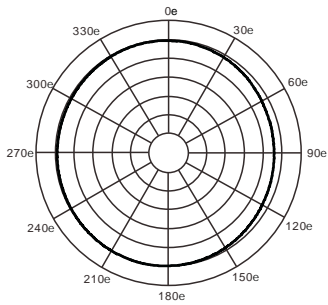
THD



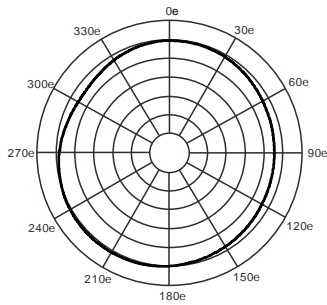
S1200H

HORIZONTAL DIRECTIVITY

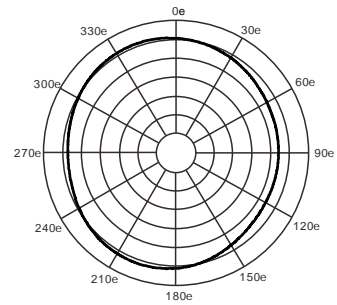
The data of S1200H horizontal directivity were collected by testing the speaker system in a big anechoic chamber .



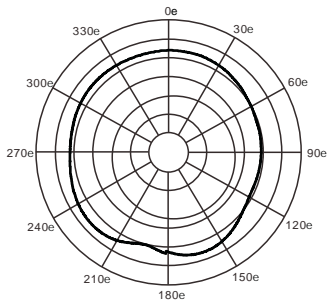
100Hz



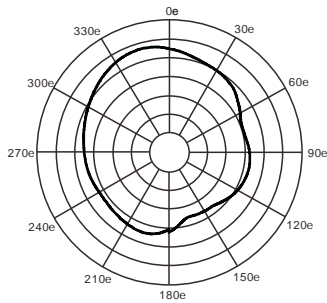
160Hz



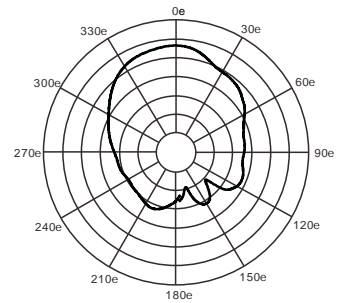
200Hz



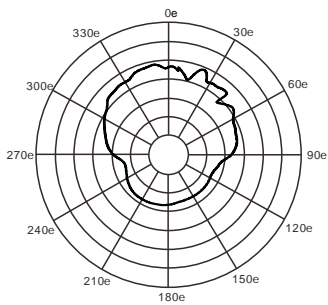
400Hz



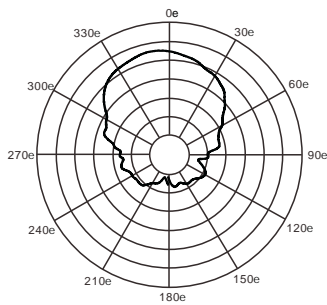
630Hz



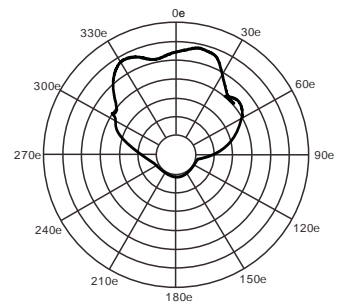
1.0kHz



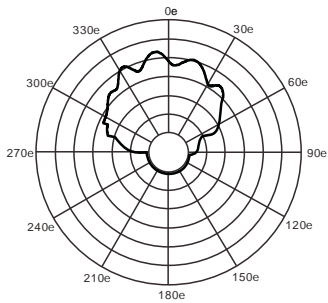
1.6kHz



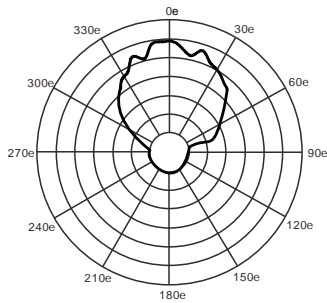
2.5kHz



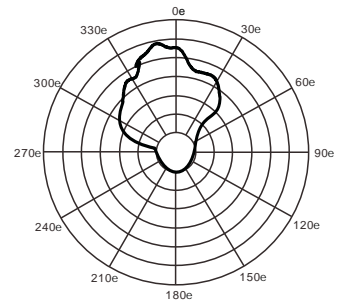
3.15kHz



6.3kHz



10kHz



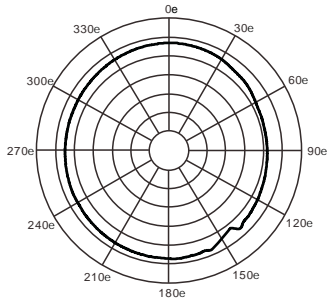
16kHz

The scale is stepped by 6dB increment.

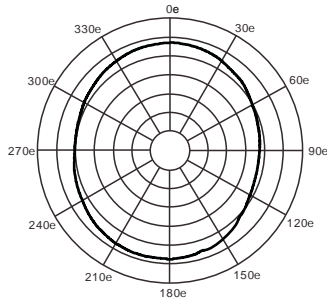
S1200H

VERTICAL DIRECTIVITY

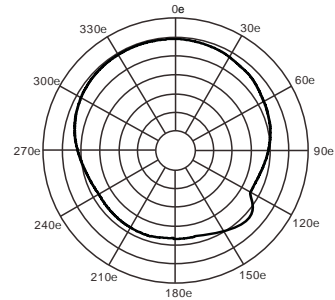
The data of S1200H vertical directivity were collected by testing the speaker system in a big anechoic chamber .



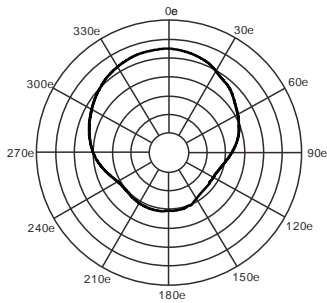
100Hz



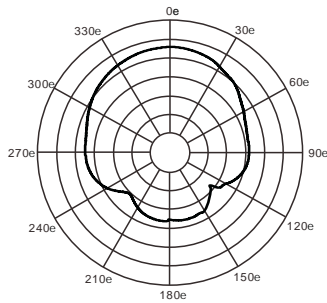
160Hz



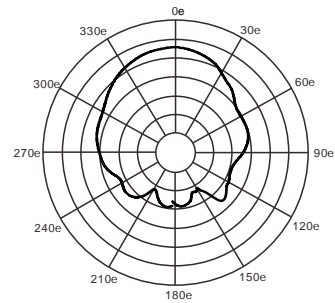
200Hz



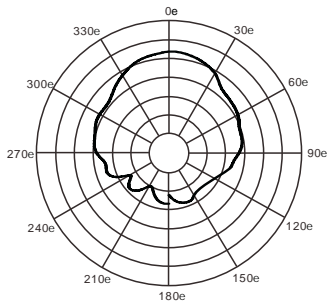
400Hz



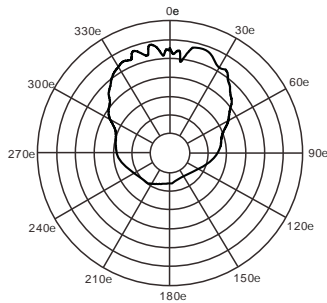
630Hz



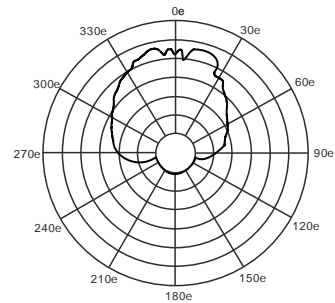
1.0kHz



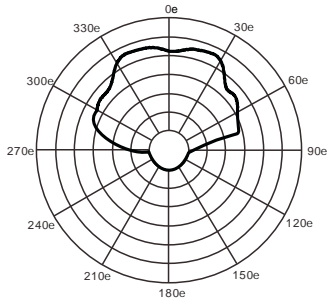
1.6kHz



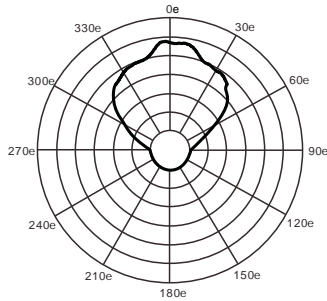
2.5kHz



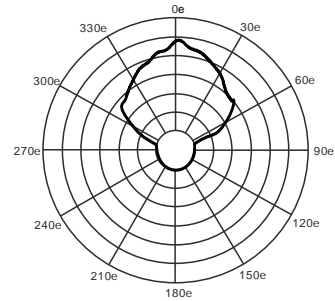
3.15kHz



6.3kHz



10kHz

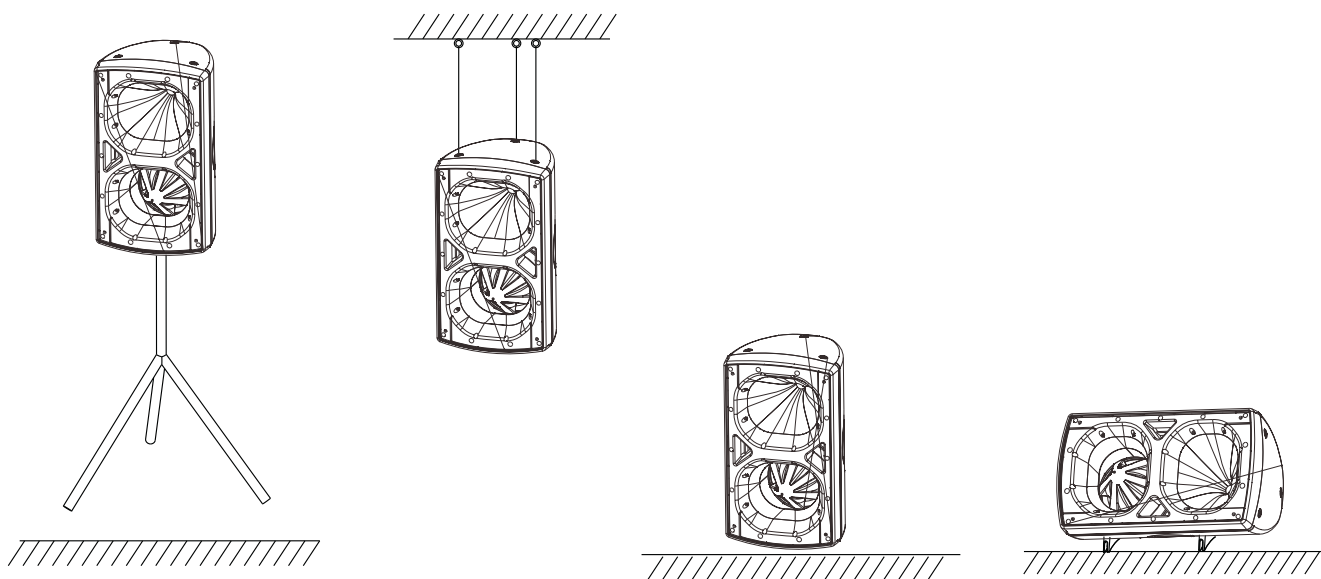


16kHz

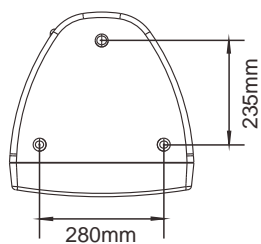
The scale is stepped by 6dB increment.

S1200H

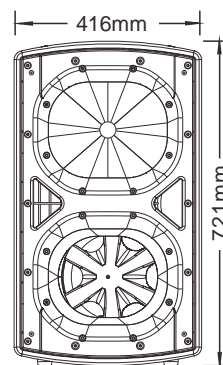
INSTALLATION



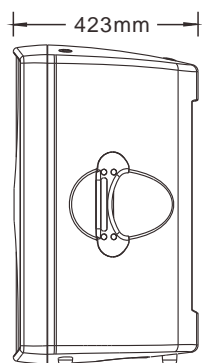
DIMENSIONS



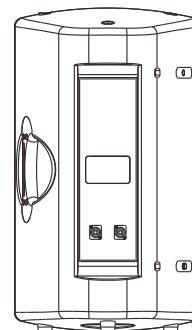
Top view



Front view



Side view



Back view

S1200H

LIMITED WARRANTY

If malfunction occurs during the specified warranty period from the date of original purchase, the product will be repaired or replaced without charge by Elder Audio.

The Limited Warranty does not apply to:

- (a) exterior finish or appearance;
- (b) certain specific items described in the individual product data sheet or owner's manual;
- (c) malfunction resulting from use or operation of the product other than as specified in the individual product data sheet or owner's manual;
- (d) malfunction resulting from misuse or abuse of the product;
- (e) malfunction occurring at any time after repairs have been made to the product by anyone other than Elder Audio Service or any of its authorized service representatives.

To obtain warranty service, customer must deliver proof of purchase of the product in the form of a bill of sale or receipt invoice.

S1200H Speakers and Speaker Systems are guaranteed against malfunction due to defects in materials or workmanship for a period of three (3) years from the date of original purchase. The Limited Warranty does not apply to burned voice coils or malfunctions such as cone and/or coil damage resulting from improperly designed enclosures. Additional details are included in the Limited Warranty statement.

S1200H Accessories are guaranteed against malfunction due to defects in materials or workmanship for a period of one (1) year from the date of original purchase. Additional details are included in the Limited Warranty statement.

S1200H Flying Hardware (including enclosure-mounted hardware and rigging accessories) is guaranteed against malfunction due to defects in materials or workmanship for a period of one (1) year from the date of original purchase. Additional details are included in the Limited Warranty statement.

Specifications are subject to change without notice.



Beta Three

S1200H