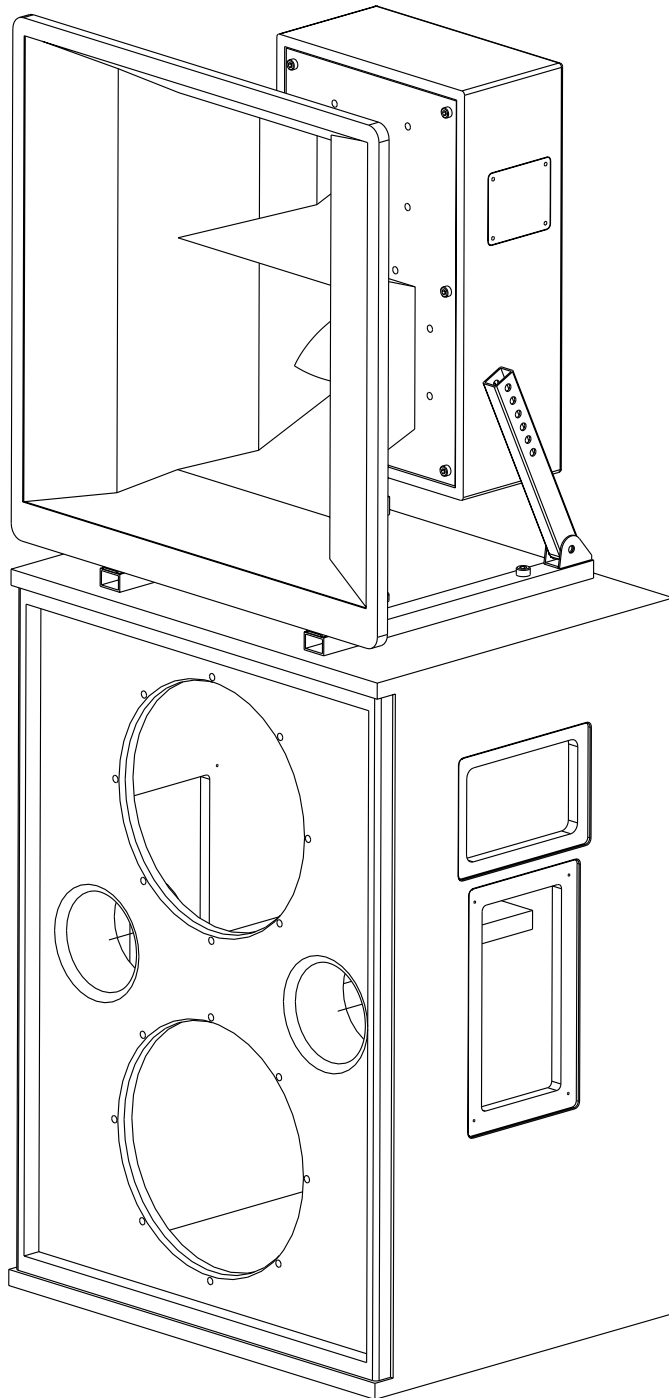




Beta Three



CS3415A

Professional Theater Series
Loudspeaker System

User Manual





UM-CS3415A-20131031verA



SAFETY INSTRUCTIONS


PLEASE READ THIS MANUAL FIRST

Thank you for a buying β_3 product. Read this manual first as it will help you operate the system properly. Please keep this manual for future reference.

⚠ WARNING: *This product must be installed by professionals. When using hanging brackets or rigging other than those supplied with the product, please ensure they comply with the local safety codes.*

	CAUTION RISK OF ELECTRICAL SHOCK DO NOT OPEN	
CAUTION: TO REDUCE THE RISK OF ELECTRIC SHOCK, DO NOT REMOVE COVER (OR BACK). NO USER-SERVICABLE PARTS INSIDE. REFER SERVICING TO QUALIFIED PERSONNEL.		

	AVIS RISQUE DE CHOC ÉLECTRIQUE NE PAS OUVRIR	
ATTENTION : POUR RÉDUIRE LE RISQUE DE DÉCHARGE ÉLECTRIQUE, NE RETIREZ PAS LE COUVERCLE (OU L'ARRIÈRE). IL NE SE TROUVE À L'INTÉRIEUR AUCUNE PIÈCE POUVANT ÊTRE RÉPARÉE PAR L'USAGER. S'ADRESSER À UN RÉPARATEUR COMPÉTENT.		

 *The exclamation point within an equilateral triangle is intended to alert you to the presence of important operating and servicing instructions.*

⚠ ATTENTION: *Don't refit the system or spare parts without being authorized as this will void the warranty.*

⚠ WARNING: *Don't place naked flames (such as candles) close to the equipment.*

1. Read the instruction manual first before using this product.
2. Please keep this manual for future reference
3. Pay attention to all warnings.
4. Obey all operating instructions.
5. Do not expose this product to rain or moisture.
6. Clean this equipment with a dry cloth.
7. Do not block any ventilation openings. Install according to manufacturer's instructions .
8. Do not install this product near any heat source, such as a, heater, burner, or any other equipment with heat radiation .
9. Only use spare parts supplied by the manufacturer.
10. Pay attention to the safety symbol on the outside of the cover.



CONTENT

INTRODUCTION	3
Features	3
Description	3
Applications	3
INSTALLATION AND CONNECTION	4
System Installation Reference	4
Loudspeaker Connection	4
TECHNICAL SPECIFICATION	5
Technical Sheet	5
Frequency Response And Impedance Curve	5
2D Dimension	6

CS3415A

Professional Theater Series Loudspeaker System

Features

- High SPL, high sensitivity.
- Two 15" big power woofers.
- One 10" compression horn mid range transducer.
- One compression driver with 75mm titanium diaphragm.
- 90° x 40° wide dispersion can get the wide coverage.
- Computer simulating design provide very good Frequency response and phase feature.
- Very convenient walling installation mode.
- Suitable for THX, DTS and other multi-channel surrounding sound reinforcement in cinema.
- Suitable for big/mid cinema audio system.



Description

3[®] professional cinema speaker series is mainly suitable for all kinds of luxurious theater scale digital stereo system, also applies to theatres, conference rooms, multi-function hall stage amplification systems. Computer design using the latest speaker simulation technology, combined with the latest speaker used materials, processing technology and development, manufacture a series of speakers products. This series of products through unit optimization and computer aided design of materials, to show the high performance-to-price ratio and good reliability guarantee product outstanding amplification performance at the same time.

On the timbre, theater series products combined with the experience of many practical applications, its unique sound radiation characteristics of audience for movies provide the clearest audio-visual positioning and more beautifully with sound quality. Unit adopts special magnetic circuit structure, improve the symmetry of magnetic circuit; Accurate design of intermediate frequency horn, improve the efficiency of the unit also sound, reduce the distortion of the system. Through the adoption of a new generation of highly efficient protection circuit, this series of products can be used to adapt to the relatively poor environment, prolong the service life of the product.

Professional theatre series products, though mutual combination, can be applied to different scale of the cinema place, through the installation of the professional structure, can be quickly installed correctly, guarantee the sound performance of the system. High unit adopts high temperature heat treatment of pure titanium diaphragm, copper clad aluminum round wire voice coil compression chamber and the design of linear phase. The speaker unit adopts high magnetic energy optimization. Resulting in

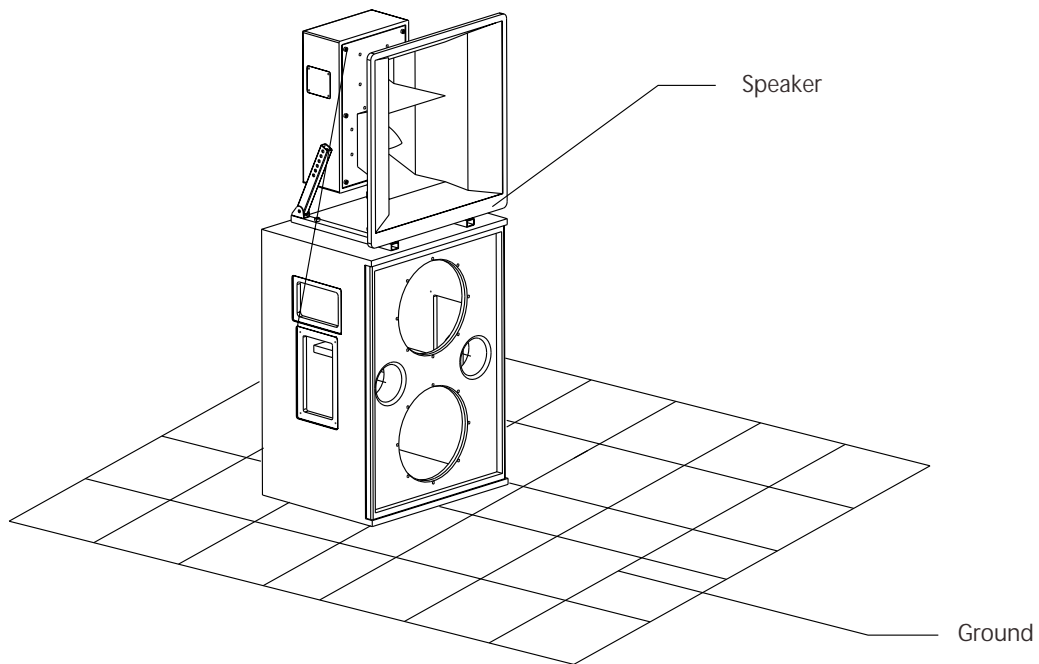
low distortion and good ventilation cooling magnetic circuit system. Bass and midrange unit used for special damping coating fabric nonlinear thickness of long fiber paper, on the edge of basin and high-power sandwich voice coil. Alto unit of paper use special glue processing, less distortion, solve two frequency speaker is bad handling of intermediate frequency sound effects.

Low frequency and high frequency separation in cabinet design, put an end to low frequency resonance of high frequency sound of dyeing, make the high frequency sound more natural. Cooperate with preprocessor DSP sound box controller, can give full play to the effect of the speakers. Investigation of high frequency sound absorption sponge filter out unnecessary high frequency harmonic, more pure sound quality. Large opening four unit low frequency part of the inverter hole, even in the case of full power does not produce low frequency compression, thus providing a higher dynamic range.

Applications

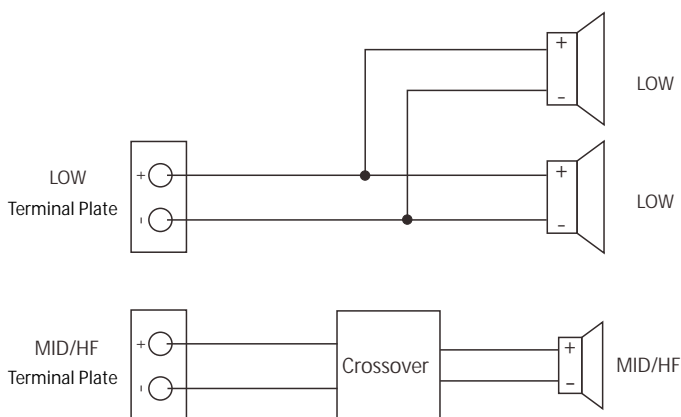
- Church
- Auditorium
- Conference room
- Small performance
- Multifunctional hall

System Connection Reference



Loudspeaker Connection

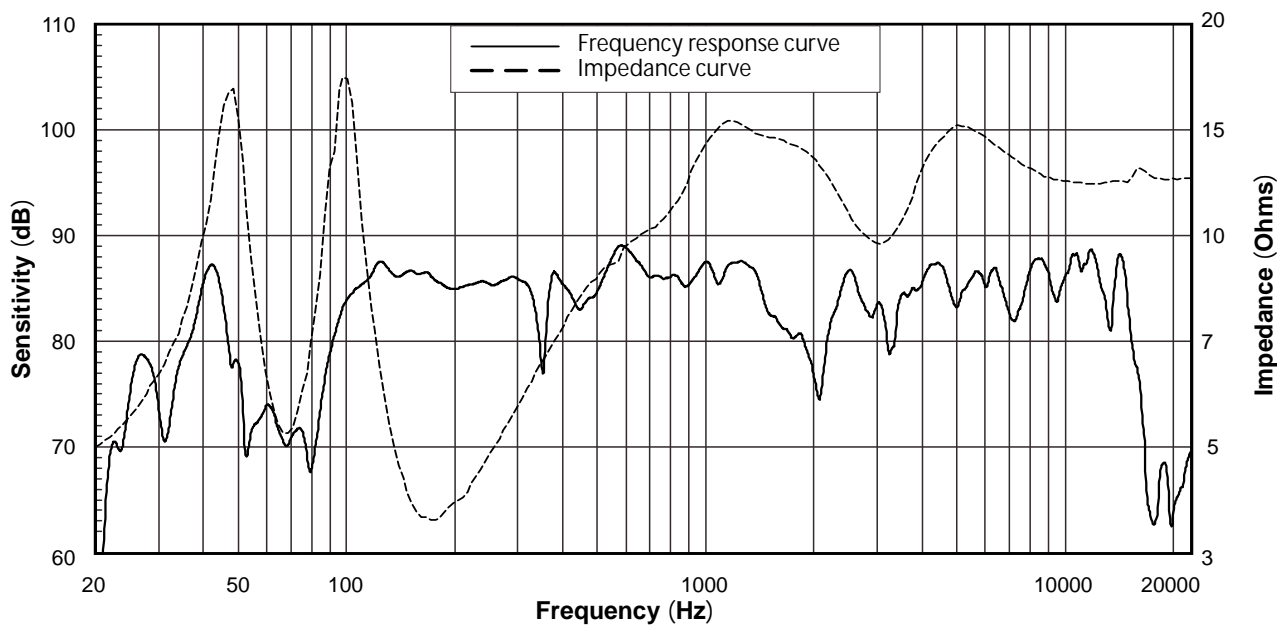
Connection way between speaker and Speakon NL4 cable



Technical Sheet

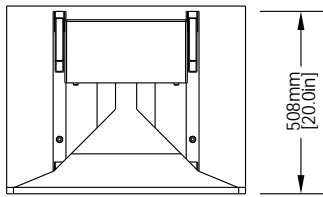
Transducers:	LF:15" × 2, MF:10" × 1, HF: 75mm × 1
Frequency response(-3dB)/(-10dB):	LOW:35Hz-550Hz/29Hz-700Hz , MID/HIGH:400Hz-15kHz/300Hz-20kHz
Sensitivity(1W@1m):	LOW:102dB , MID/HIGH:105dB
Crossover point:	LOW/MID:350Hz , MID/HIGH:1.5kHz
Dispersion(H _{AV}):	90° × 40°
Power(RMS):	LOW: 900W, MID/HIGH: 300W
Rated impedance:	LOW: 4 Ohm, MID/HIGH: 8 Ohm
DC impedance:	LOW:2.8 Ohm, MID/HIGH: 6.2 Ohm
THD:	<3%
Input	Spring clip
Net weight(pc):	LOW: 75kg(165.0LB), MID/HIGH: 32.5kg(71.5LB)
Gross weight(pc):	LOW: 81kg(178.2LB), MID/HIGH: 37.0kg(81.4LB)
Cabinet dimension: (W × D × H)	LOW: 700 × 600 × 1000mm, MID/HIGH: 700 × 508 × 731mm (LOW: 27.6 × 23.6 × 39.4in, MID/HIGH: 27.6 × 20.0 × 28.8in)
Package dimension: (W × D × H)	LOW: 810 × 660 × 1120mm, MID/HIGH: 855 × 826 × 638mm (LOW: 31.9 × 26.0 × 44.1in, MID/HIGH: 33.3 × 32.1 × 25.1in)

Frequency response curve & Impedance curve

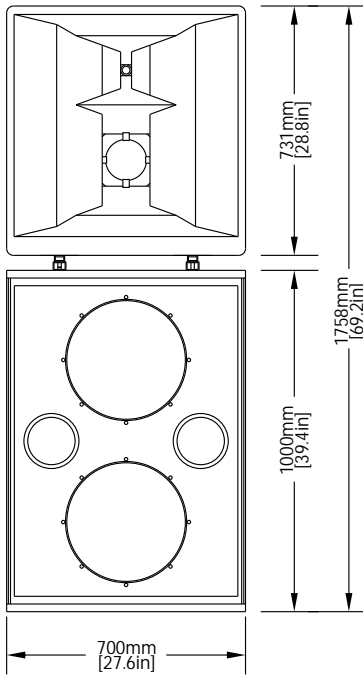


2D Dimension

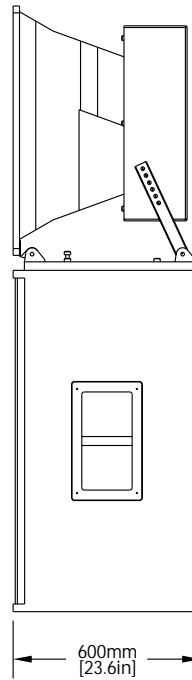
Top view



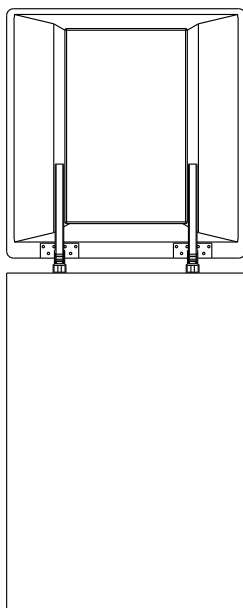
Front view



Side view



Back view





Beta Three