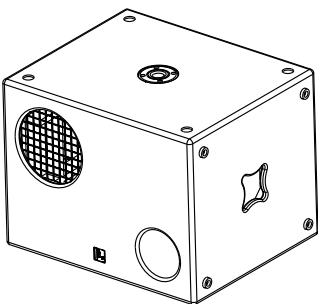




B115D

PROFESSIONAL SUBWOOFER SPEAKER

USER'S MANUAL



ED-B3-MA-051112-006



Features :

■ **B115D is a professional wooden subwoofer manufactured by Elder Audio. It is made of plywood toasting Paint. It adopts one 15 " subwoofer and six order bandpass structure, to provides better performance in applications of KTV room and Disco hall,etc. Also can be used with other assistant units.**

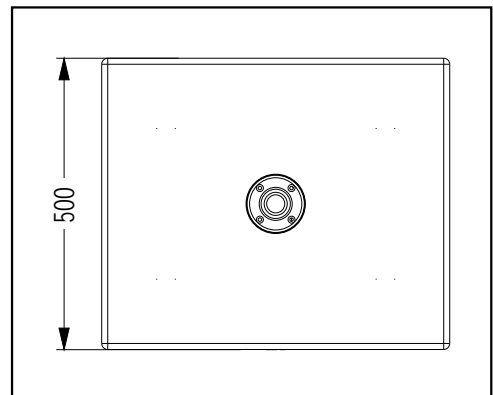
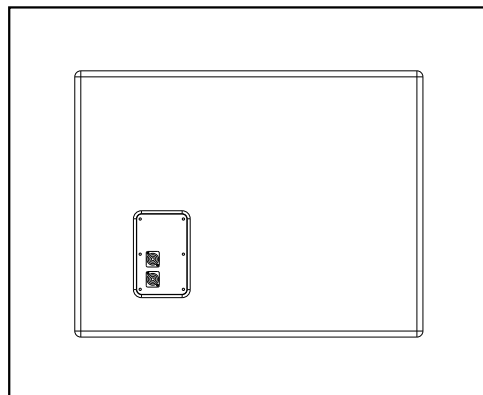
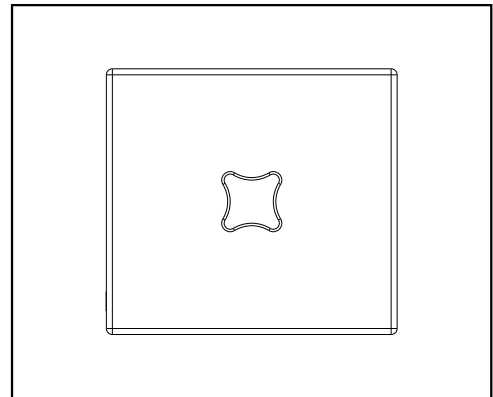
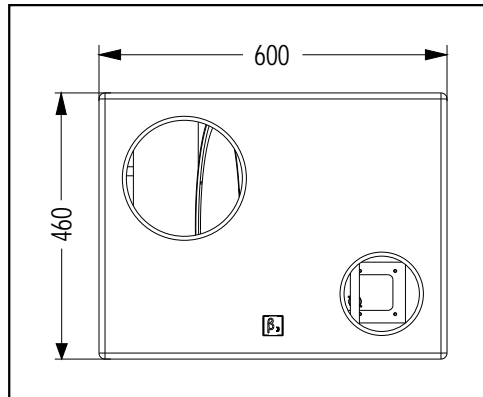


- Six order bandpass big power bass box
- One 15" big power woofer
- High intensity fasten enclosure structure, optimized phrase
- Flexible installation method
- Can be used assorted with B3 high SPL full range speaker
- Together with 3 S210, S212, S215 can be main enlarge system with high capacity wide range band

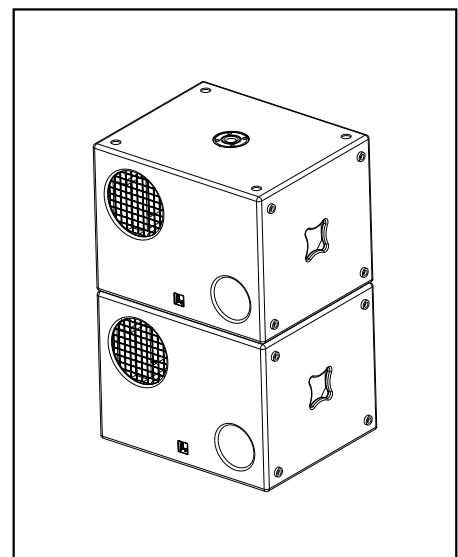
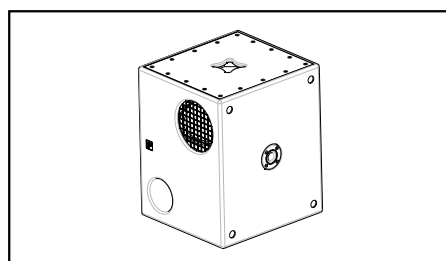
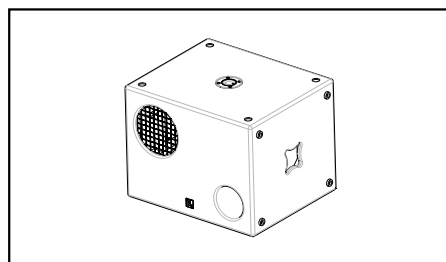
Specifications :

System	Super bass speaker Woofer: 15"x 1
Fequency Response(-3dB)	50Hz-150Hz
Sensitivity(1m/1W)	97dB
Max SPL (1m/1W)	124/130dB(PEAK)
Rated Power(RMS)	500W
Rated Impedance	8 Ohm
DC Impedance	5.7 Ohm
THD	<3%
Input Connectors	NL4 x 2,+1 -1
Net Weight(1Pcs)	29kg
Gross Weight	33.4kg
Dimensions (W x D x H)	600 x 500 x 460mm
Packaging Dimensions 1pcs/pack(W x D x H)	720 x 610 x 590mm

Cabinet Dimension :



Installation drawing :





User's Manual

B115D

WOOFER PROFESSIONAL SPEAKER