

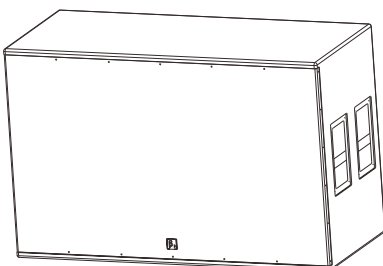


Beta Three

# CSB218A

THEATER SUB-WOOFER SPEAKER

## USER'S MANUAL



ED-B3-MA-051111-004



## Features :

- **Two transducers phase-inversed cinema subwoofer, professional high efficient transducer, computer simulating design.**

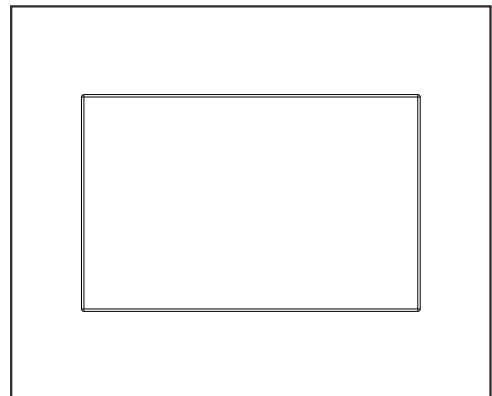
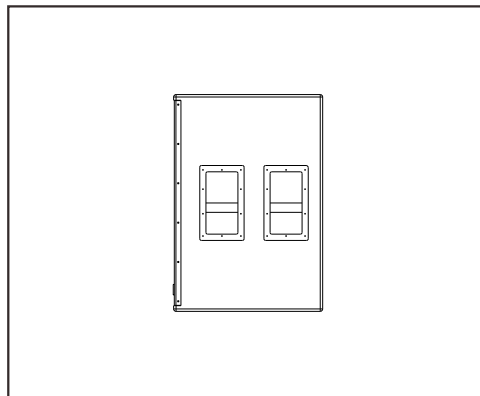
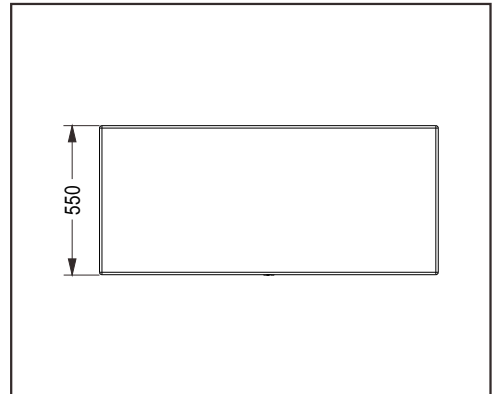
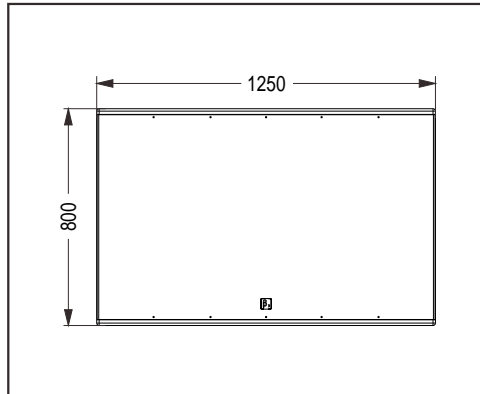
- Two transducers subwoofer
- High SPL, high sensitivity
- Two 18" big power woofers
- Computer simulating design provide good frequency response and phase feature
- Convenient installation mode
- Suitable for big mid/small cinema audio system
- Combining with B3 special speaker controller C-2600 can get good frequency response and phase
- Suitable for THX, DTS and other multi-channel surrounding sound reinforcement in cinema
- Suitable for big mid/small cinema audio system
- Can work with 3 CSR210A, CSR212A, CSR215A, CS3412A, CS3415A when used for high quality music replaying



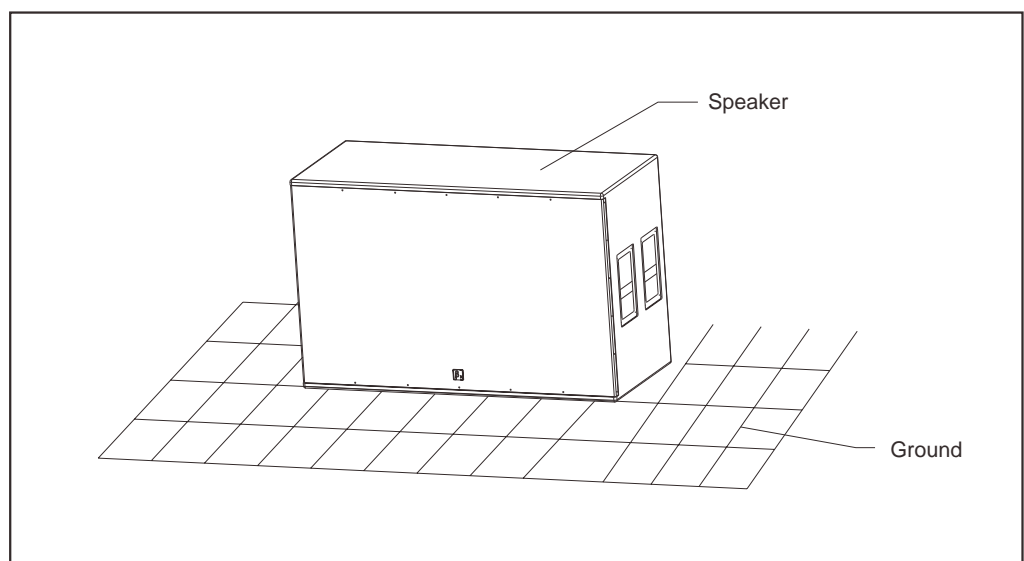
## Specifications :

Transducers	Bass : 18" x 2
Frequency response(-3dB/-10dB)	40Hz-1.6KHz/29Hz-2KHz
Sensitivity(1m/1W)	97dB
Maximum SPL (1W @ 1m)	132dB/138dB(Peak)
Power (RMS) :	1000W
Rated impedance	4 Ohm
DC impedance	3.2 Ohm
THD	<3%
Input	Spring clip
Net weight	105.5Kg
Gross weight	112.0Kg
Dimensions(W x D x H)	1250 x 550 x 800mm
Packing dimensions(W x D x H)	1360 x 650 x 900mm

Cabinet Dimension :



Installation drawing :



CSB218A  
THEATER SUB-WOOFER SPEAKER