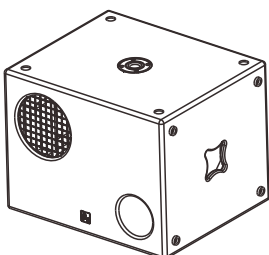




SB115a

PROFESSIONAL ACTIVE SUBWOOFER

USER'S MANUAL



ED-B3-MA-0500512-005



Features :

- **ΣB115a** is the active subwoofer with 400W amplifier module, the cabinet built with high intensity materials the crossover point is adjustable from 80Hz to 250Hz and volume is adjustable. One 15" woofer, six bands pass configuration suitable for big Karaoke room, Hi room, disco etc. Can work with other ELDER speaker.

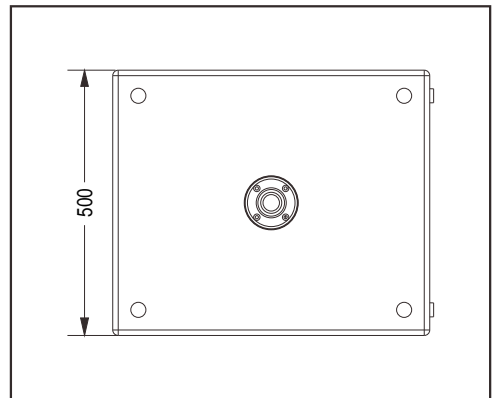
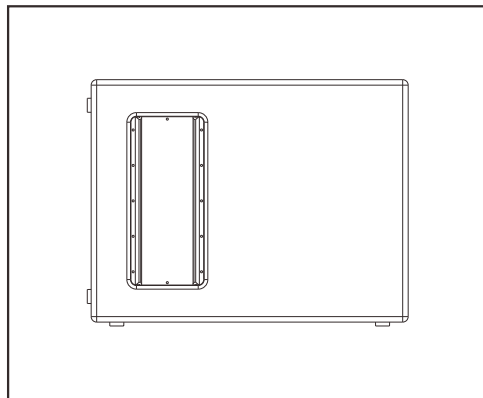
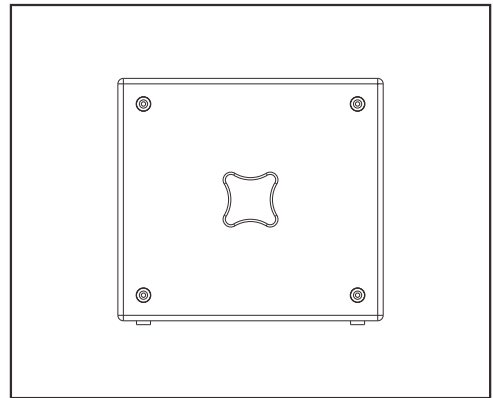
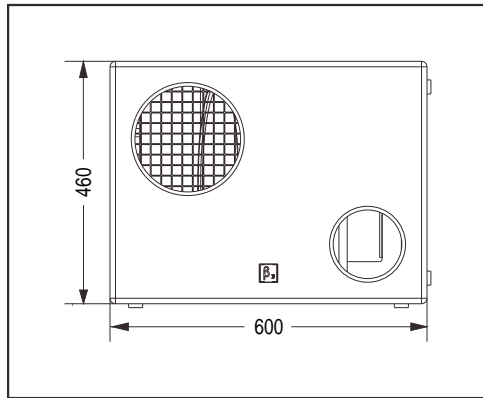
- Band pass active subwoofer with big power
- One 15" woofer
- 400W long time power handling
- 100mm voice coil provides the powerful energy
- Six bands LF structure under computer simulating design make LF very powerful
- Composite chamber for amplifier module, effective heat-sink configuration
- Adjustable crossover point with reversed phase switch, suitable for all kinds of full range speakers
- Perfect built-in protection circuit, high reliability



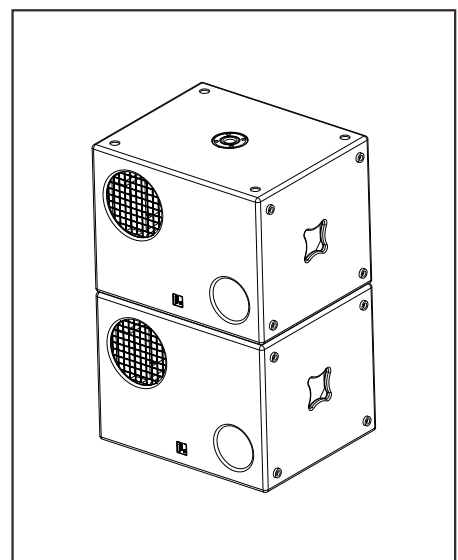
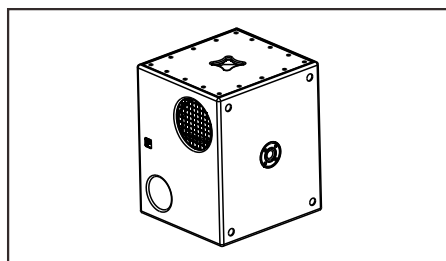
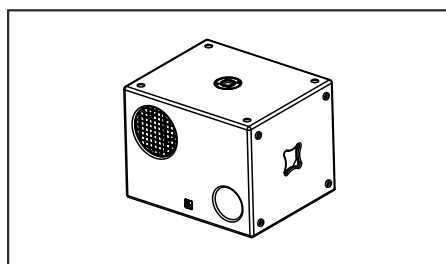
Specifications :

System:	Super bass active speaker Bass:15"x1
Frequency Response(-3dB):	35Hz-250Hz/30Hz-300Hz
Max SPL(1m):	125dB
Amplifier Power Output :	400W
THD:	<1%
Input Connectors:	XLR J3P
Net Weight(1Pcs):	34Kg
Gross Weight:	40.4Kg
Dimensions (W x D x H):	600 x 500 x 460mm
Packaging Dimensions 1pcs/pack(W x D x H):	720 x 610 x 590mm

Cabinet Dimension :



Installation drawing :





User's Manual

SB115a

PROFESSIONAL ACTIVE SUBWOOFER