

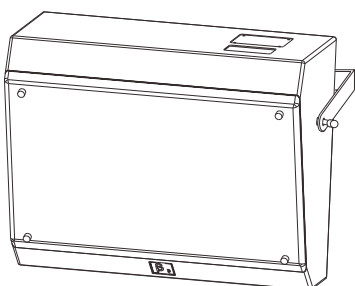


Beta Three

CSR210A

THEATER SURROUNDING SPEAKER

USER'S MANUAL

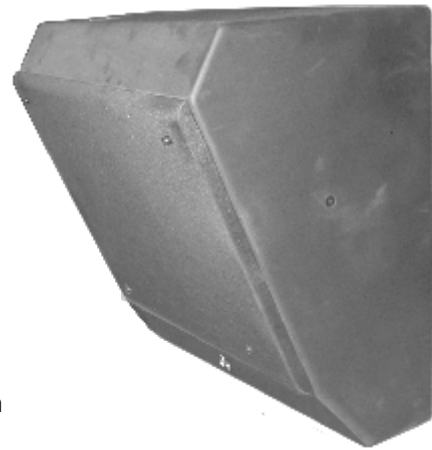


ED-B3-MA-051111-001



Features :

- **Two transducers two way phase-inversed surrounding cinema speaker, professional high efficient transducers. Computer simulating design.**

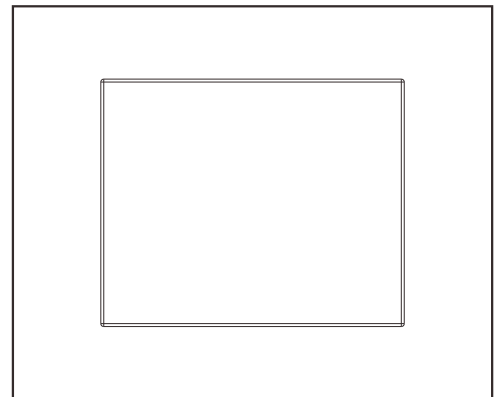
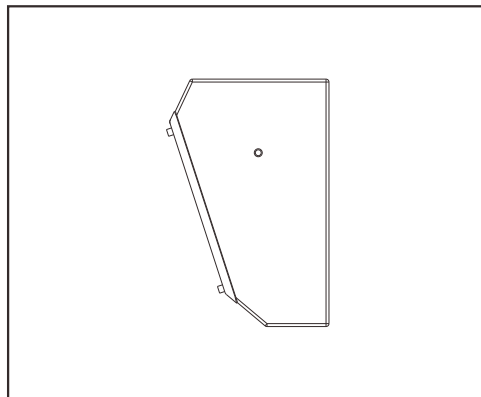
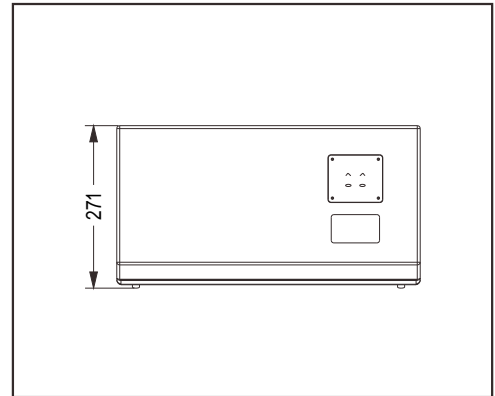
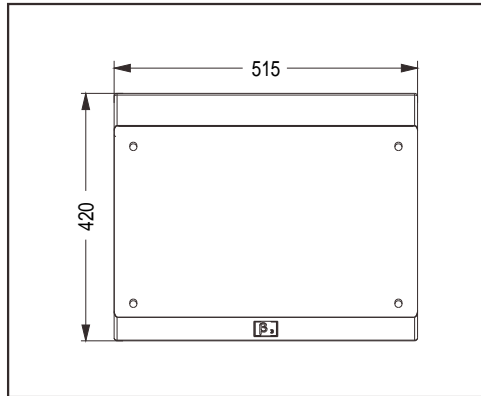


- Two transducers two way full range
- High SPL, high sensitivity
- One 10" big power woofer
- One compression driver with 44mm titanium diaphragm
- Built-in electronic protection crossover
- (50-100)°x55° wide dispersion can get the wider covering
- Computer simulating design provide very good Frequency response and phase feature
- Very convenient walling installation mode
- Suitable for THX, DTS and other multi-channel surrounding sound reinforcement in cinema
- Suitable for Mid/small cinema audio system
- Can work with ,3 CSB218A, CS3412A, CS3415A when used for high quality music replaying

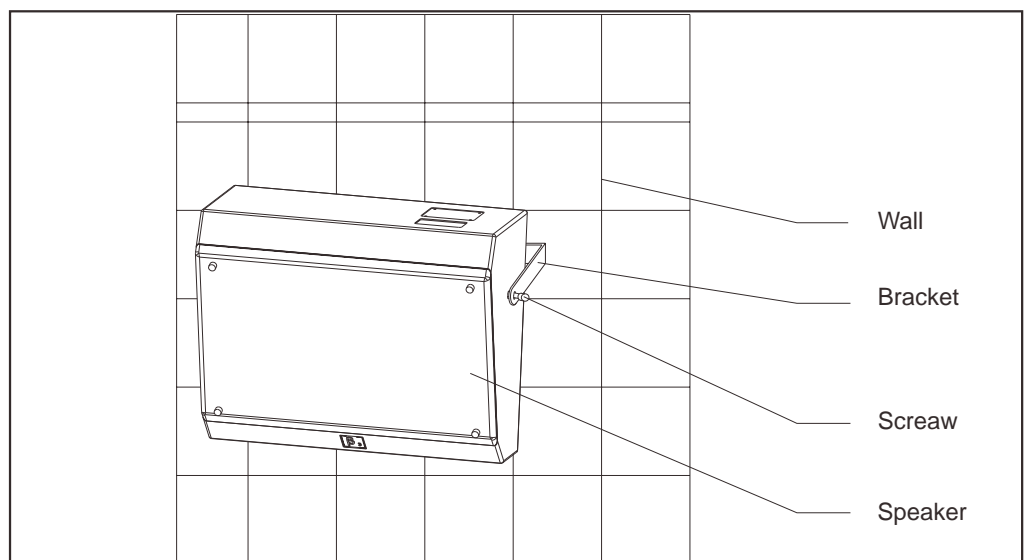
Specifications :

Transducers	Bass: 10" × 1, Treb: 1.7" × 1
Frequency response(-3dB/-10dB)	65Hz-20KHz/50Hz-20KHz
Sensitivity(1m/1W)	95dB
Xover point	2KHz
Dispersion(HxV)	(50-100)°x 55°
Power(RMS):	8 Ohm
Rated impedance	200W
THD	<3%
Input	Spring clip
Net weight	14.5Kg
Gross weight	17.5Kg
Dimensions(W × D × H)	515 × 271 × 420mm
Packing dimensions(W × D × H)	500 × 350 × 585mm

Cabinet Dimension :



Installation drawing :



CSR210A
THEATER SURROUNDING SPEAKER