



Beta Three

S800N





CONTENTS

PRODUCT FEATURES ----- 1

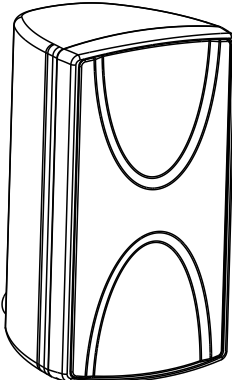
SPECIFICATION ----- 1

ACOUSTIC CHARTS ----- 2

INSTALLATION ----- 7

DIMENSIONS ----- 7

LIMITED WARRANTY ----- 8



S800N

PRODUCT FEATURES

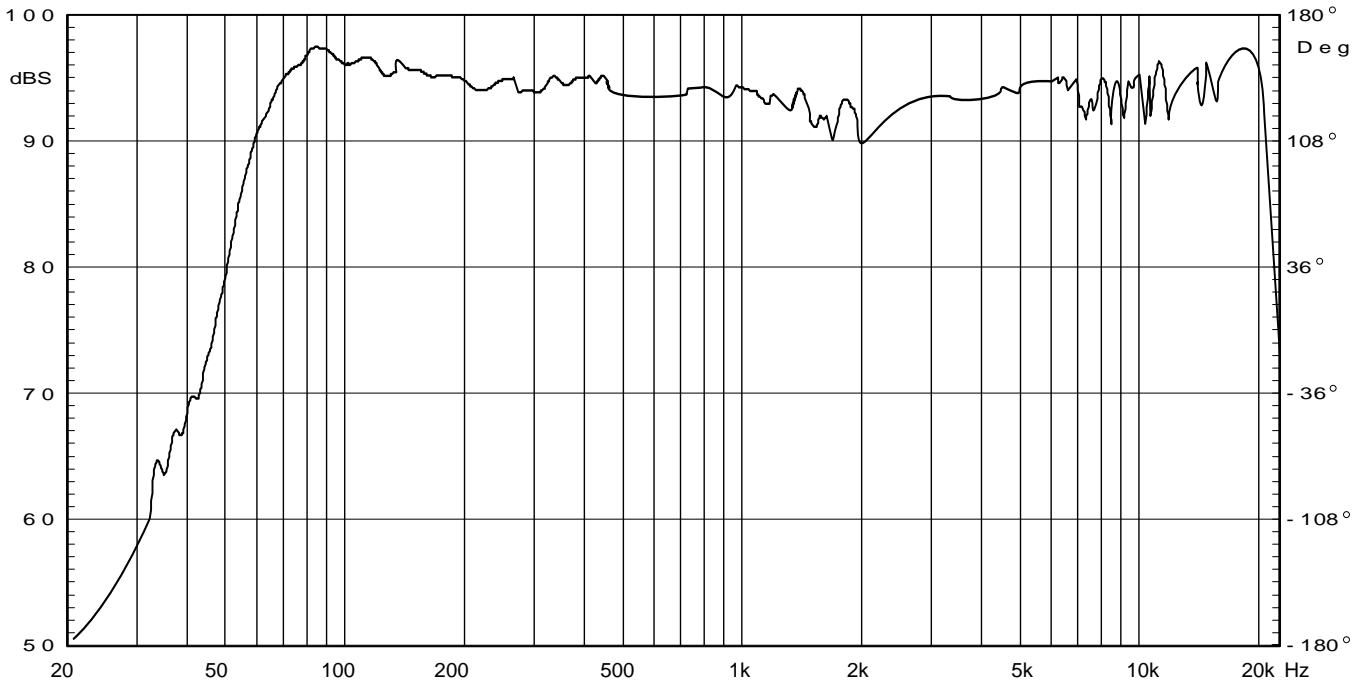
S800N is a compact 2-way full range passive plastic speaker comprising double 8" transducers. The adoption of coaxial driver allows very compact cabinet design. The system comprises one 8" Mid-low section and one 8" one-piece coaxial neodymium full range transducer. The coaxial transducer newly developed by our factory used in S800N has only one magnetic circuit structure shared by the mid-low and high section, which has effectively solved the phase error problem of the mid-low and high range along X, Y and Z axis in 3D space. The diaphragm coated with unique material reduces the distortion normally caused by the nonuniform vibration of different parts of the speaker. The adoption of sandwich type voice coil, linear symmetrical magnetic circuit and aluminum short-circuit ring has decreased THD efficiently. The standard type of S800N cabinet has integrated flying points for suspension application.

SPECIFICATION

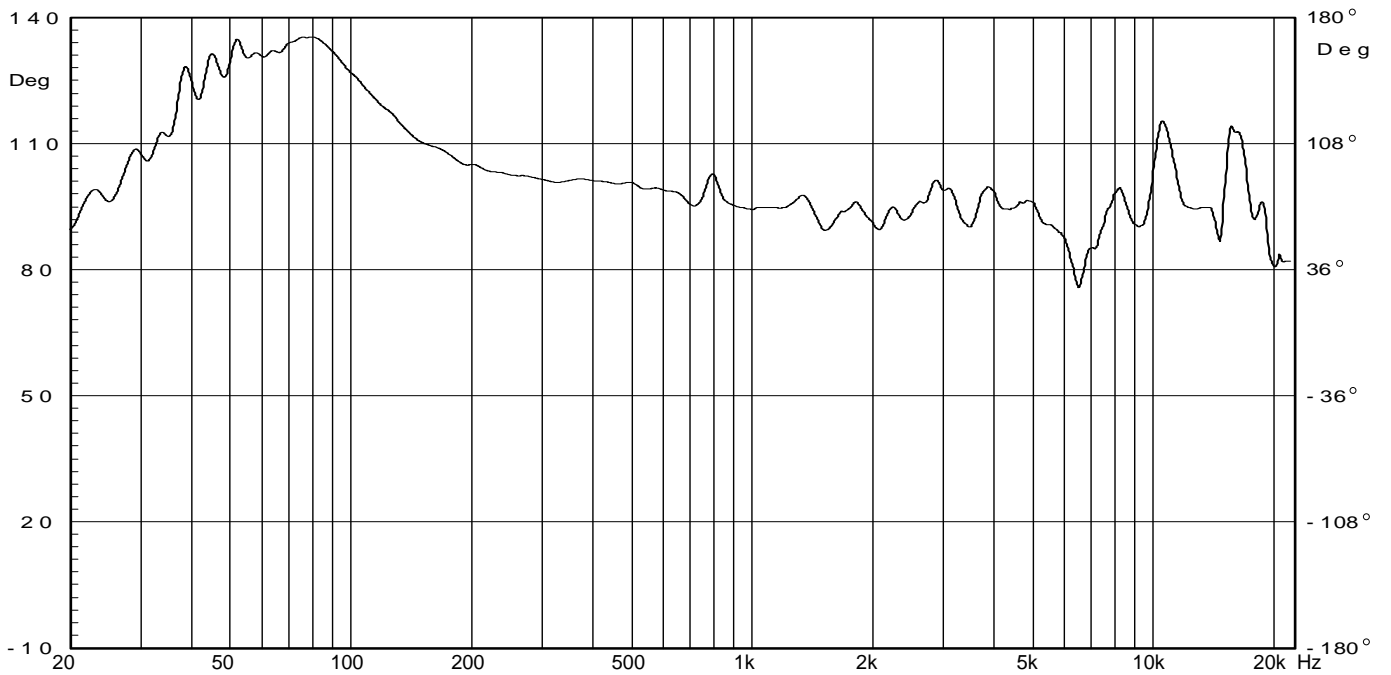
Transducers	LF: 8" x1 MF: 8" x1 HF: 1.3" x1
Frequency Response(-3dB)	80Hz-20kHz
Sensitivity(1m/1W)	95dB
SPL(1m)	118dB
Max.SPL(1m)	124dB
Power(RMS)	300W
Power(Program)	600W
Power(Peak)	1200W
Rated Impedance	4
DC Impedance	3.2
Dispersion(H xV)	90° x90°
Crossover Point	1.9kHz
THD	<3%
Input Connectors	NL4 x1 , Input: 1 + 1- Output: 2+ 2-
Net Weight	10kg
Gross Weight	13kg
Dimensions (W xD xH)	265 x292 x480mm
Packing Dimensions(W xD xH)	353 x325 x550mm

S800N

FREQUENCY RESPONSE

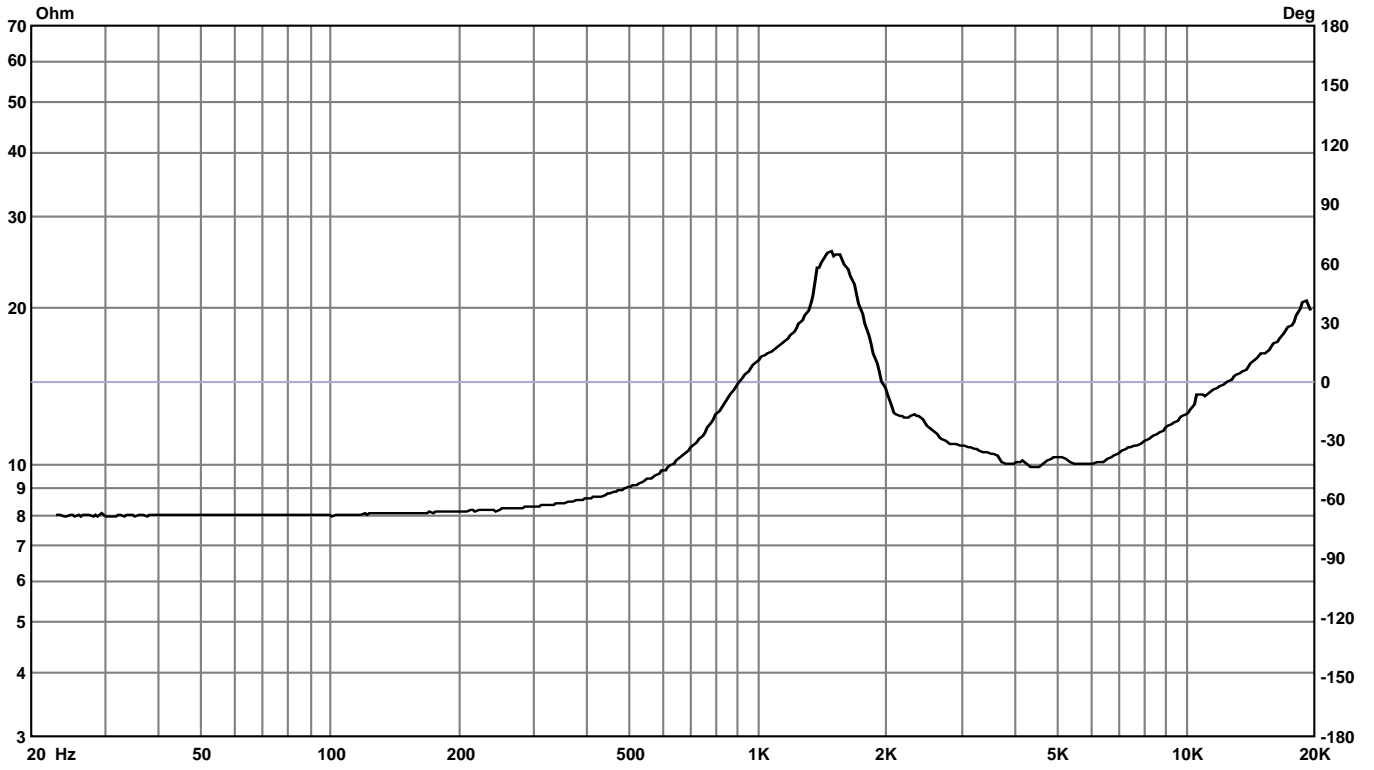


FREQUENCY RESPONSE

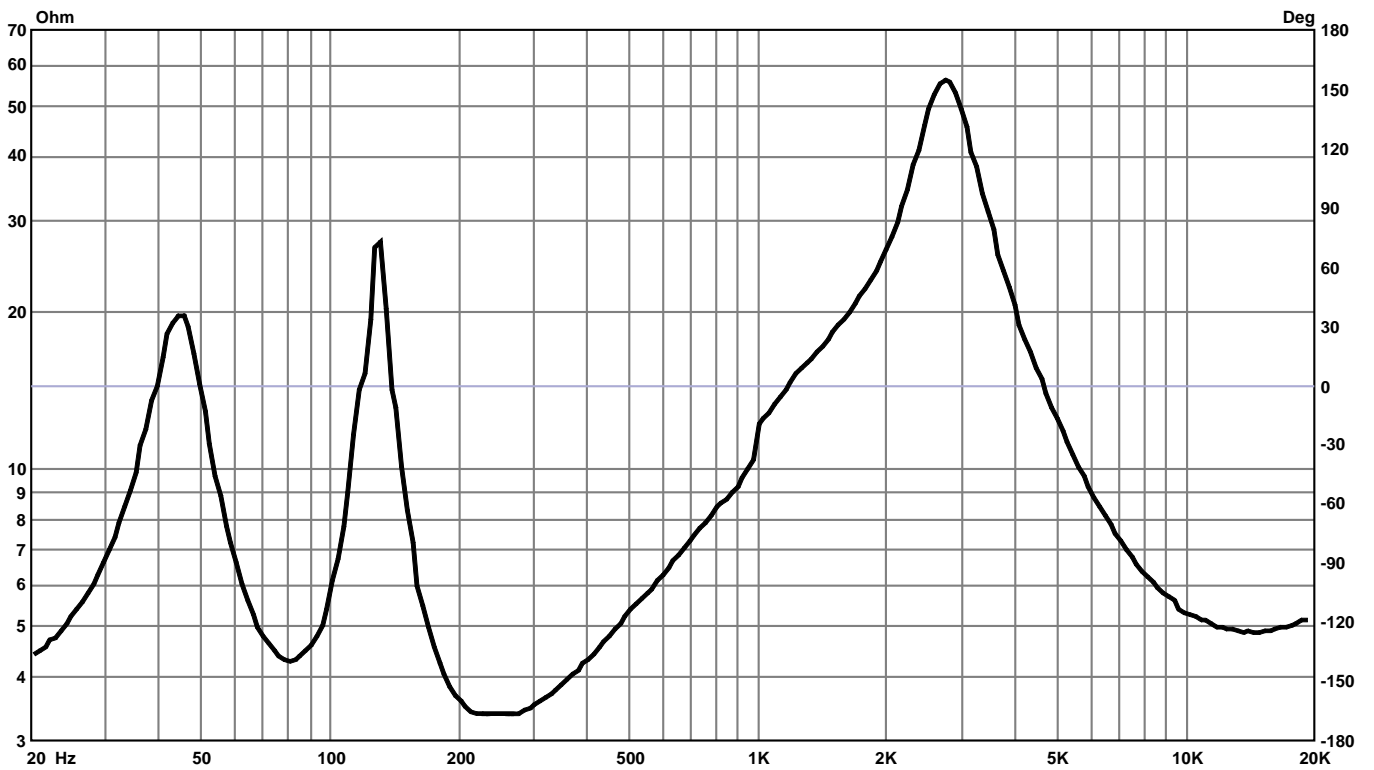


S800N

HF IMPEDANCE

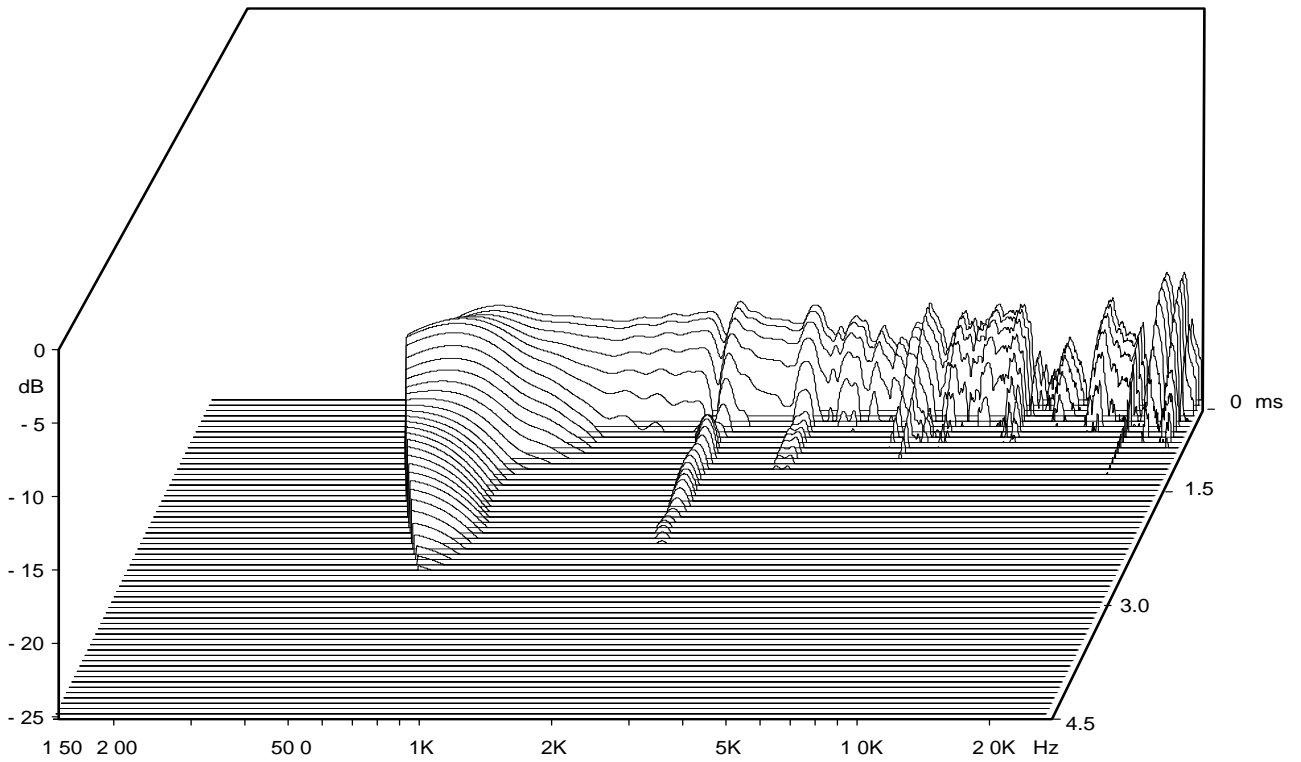


LF IMPEDANCE

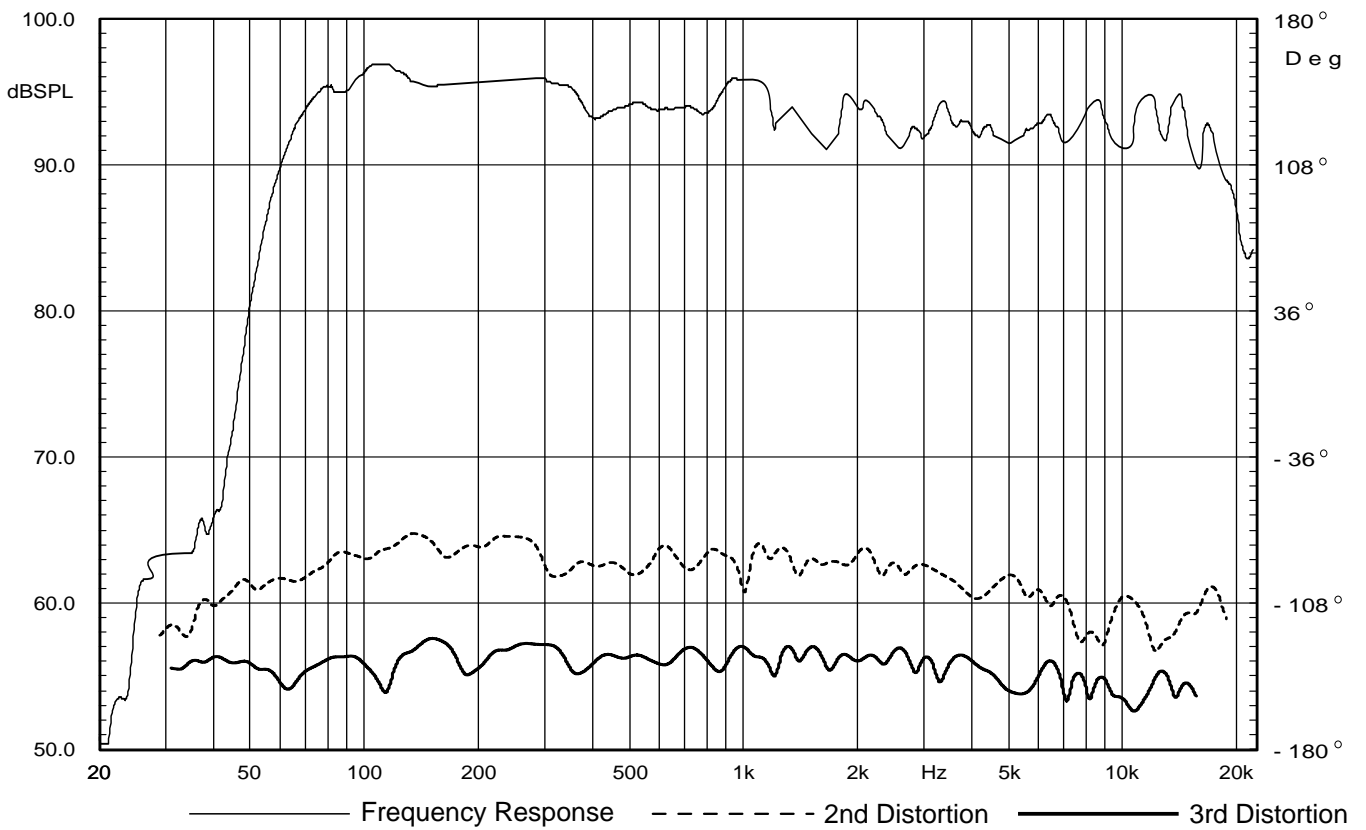


S800N

WATERFALL



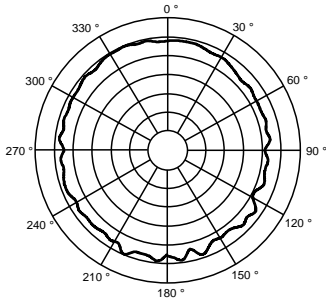
THD



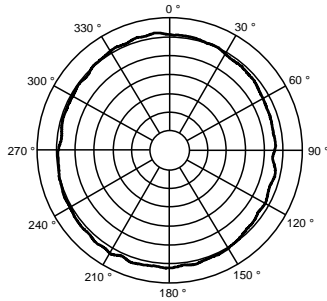
S800N

HORIZONTAL DIRECTIVITY

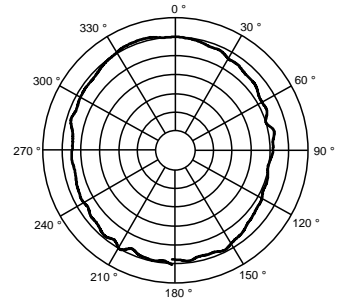
The data of S800N horizontal directivity were collected by testing the speaker system in a big anechoic chamber.



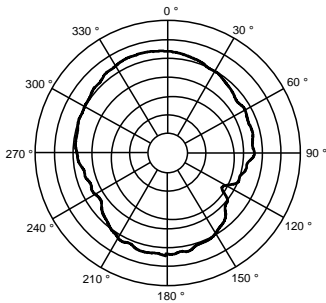
100Hz



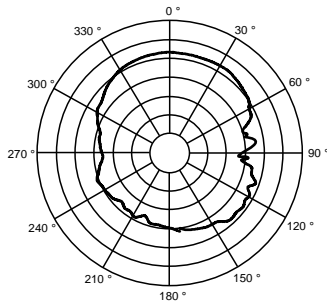
160Hz



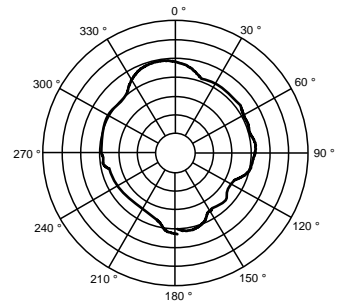
200Hz



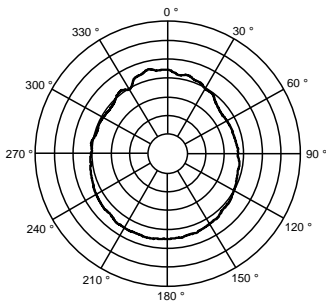
400Hz



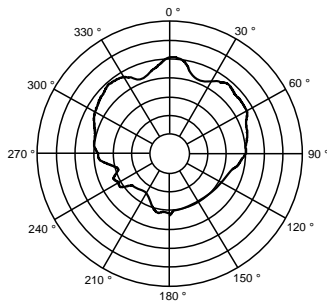
630Hz



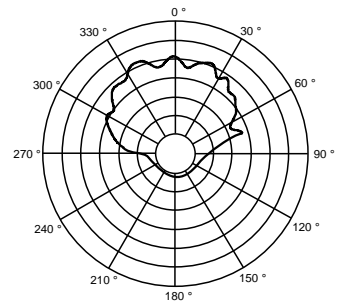
1.0kHz



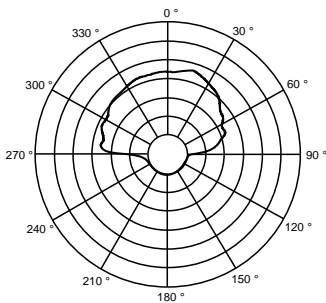
1.6kHz



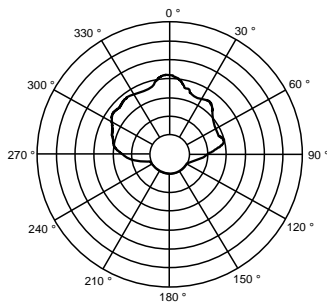
2.5kHz



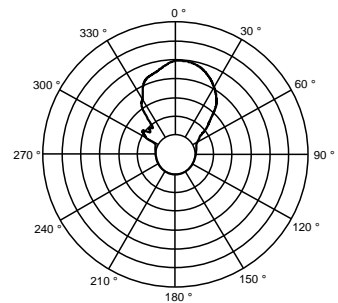
3.15kHz



6.3kHz



10kHz



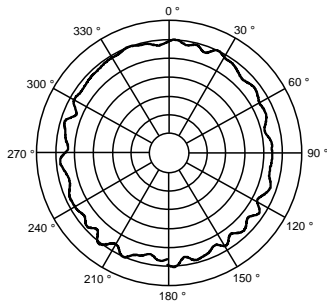
16kHz

The scale is stepped by 6dB increment.

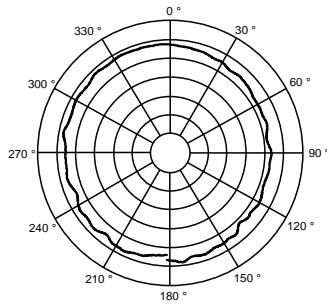
S800N

VERTICAL DIRECTIVITY

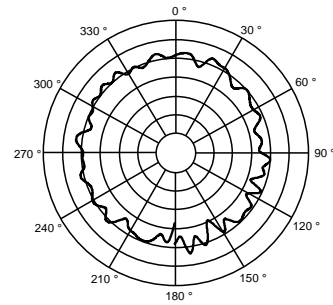
The data of S800N vertical directivity were collected by testing the speaker system in a big anechoic chamber.



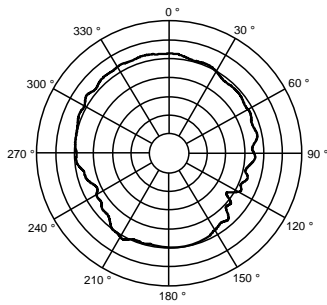
100Hz



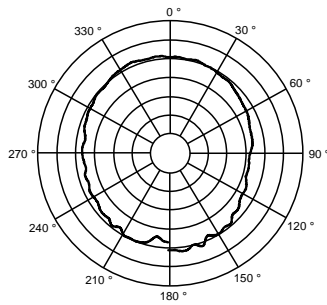
160Hz



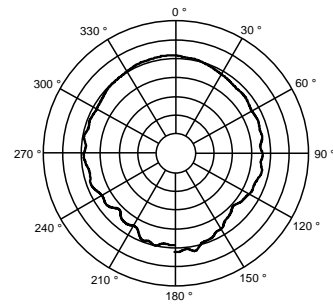
200Hz



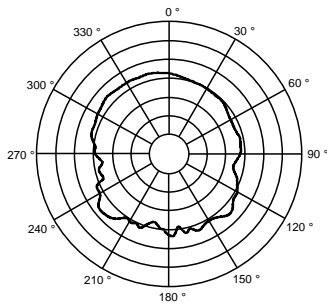
400Hz



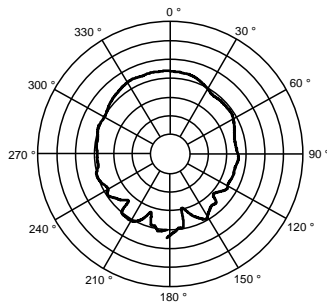
630Hz



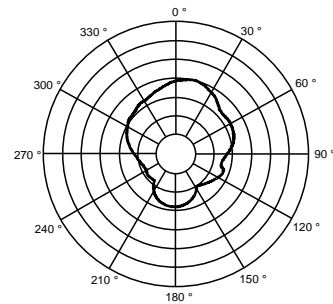
1.0kHz



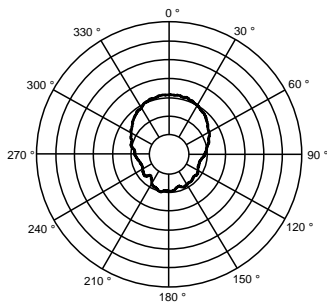
1.6kHz



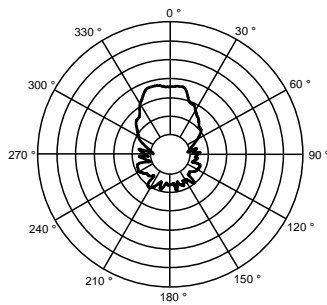
2.5kHz



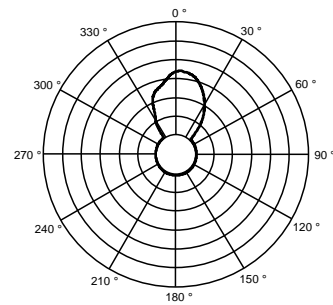
3.15kHz



6.3kHz



10kHz



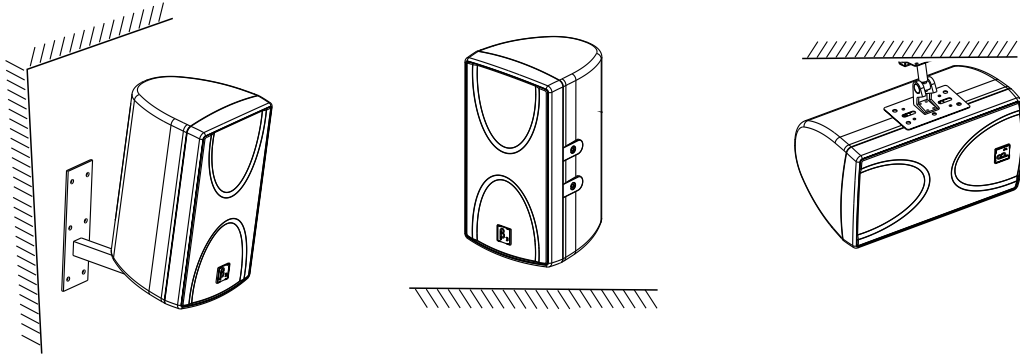
16kHz

The scale is stepped by 6dB increment.

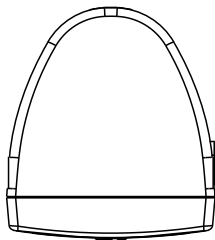
S800N

INSTALLATION

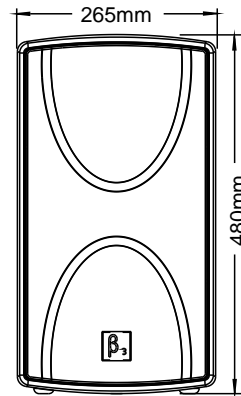
吊装



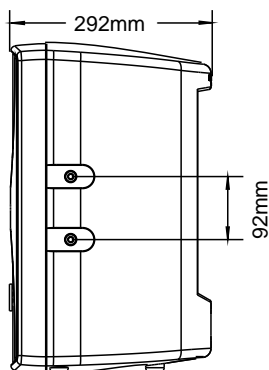
DIMENSIONS



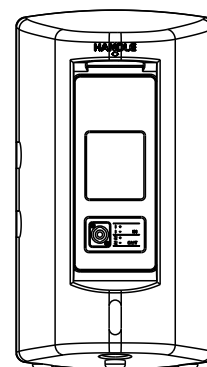
Top view



Front view



Side view



Back view

LIMITED WARRANTY

If malfunction occurs during the specified warranty period from the date of original purchase, the product will be repaired or replaced without charge by Elder Audio.

The Limited Warranty does not apply to:

- (a) exterior finish or appearance;
- (b) certain specific items described in the individual product data sheet or owner's manual;
- (c) malfunction resulting from use or operation of the product other than as specified in the individual product data sheet or owner's manual;
- (d) malfunction resulting from misuse or abuse of the product;
- (e) malfunction occurring at any time after repairs have been made to the product by anyone other than Elder Audio Service or any of its authorized service representatives.

To obtain warranty service, customer must deliver proof of purchase of the product in the form of a bill of sale or receipt invoice.

S800N Speakers and Speaker Systems are guaranteed against malfunction due to defects in materials or workmanship for a period of three (3) years from the date of original purchase. The Limited Warranty does not apply to burned voice coils or malfunctions such as cone and/or coil damage resulting from improperly designed enclosures. Additional details are included in the Limited Warranty statement.

S800N Accessories are guaranteed against malfunction due to defects in materials or workmanship for a period of one (1) year from the date of original purchase. Additional details are included in the Limited Warranty statement.

S800N Flying Hardware (including enclosure-mounted hardware and rigging accessories) is guaranteed against malfunction due to defects in materials or workmanship for a period of one (1) year from the date of original purchase. Additional details are included in the Limited Warranty statement.

Specifications are subject to change without notice.



Beta Three

S800N