



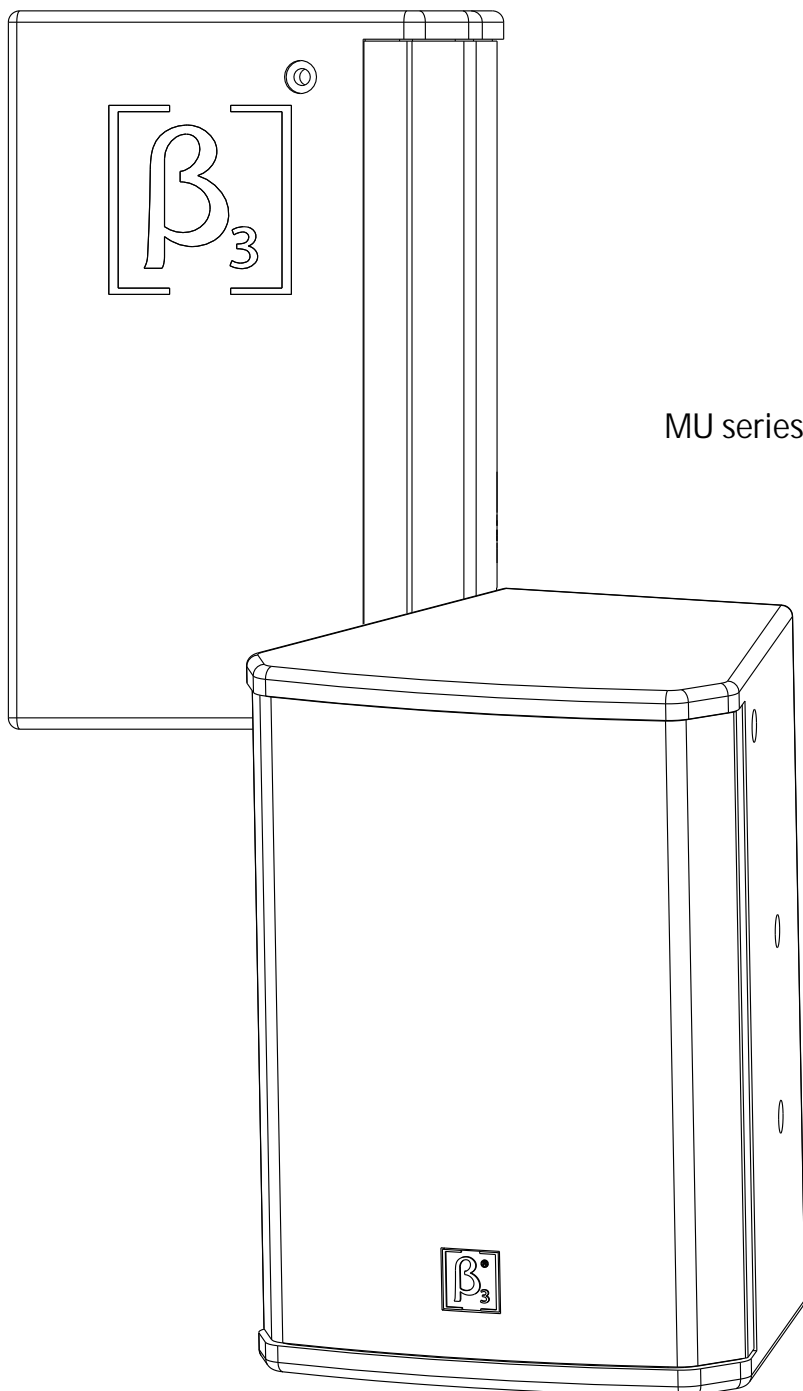
Beta Three

# MU8a

Two way full range active speaker

MU series professional loudspeaker system

## User Manual








UM- MU8a - 20091107 ver B



# SAFETY INSTRUCTIONS

## PLEASE READ THIS MANUAL FIRST

Thanks for buying  $\beta_3$  products. Read this manual first as it will help you operate the system properly. Please keep this manual for future reference.

-  **WARNING:** *This product must be installed by professionals. When using the hanging and rigging parts that are not appointed, please ensure the intensity of the structure comply with the local safety criterion.*
-  **WARNING:** *To reduce the risk of fire or electric shock, do not expose this apparatus to rain or moisture.*
-  **WARNING:** *To reduce the risk of electric shock, only qualified professionals can remove the cover of this system.*

	<b>CAUTION</b> RISK OF ELECTRICAL SHOCK DO NOT OPEN	
CAUTION: TO REDUCE THE RISK OF ELECTRIC SHOCK, DO NOT REMOVE COVER (OR BACK). NO USER-SERVICABLE PARTS INSIDE. REFER SERVICING TO QUALIFIED PERSONNEL.		





	<b>AVIS</b> RISQUE DE CHOC ÉLECTRIQUE NE PAS OUVRIR	
ATTENTION : POUR RÉDUIRE LE RISQUE DE DÉCHARGE ÉLECTRIQUE, NE RETIREZ PAS LE COUVERCLE (OU L'ARRIÈRE). IL NE SE TROUVE À L'INTÉRIEUR AUCUNE PIÈCE POUVANT ÊTRE RÉPARÉE PAR L'USAGER. S'ADRESSER À UN RÉPARATEUR COMPÉTENT.		



*The lightning flash & arrowhead symbol within an equilateral triangle is intended to alert you that this part is not dielectric, and may cause the hazard of electric shock.*



*The exclamation point within an equilateral triangle is intended to alert you to the presence of important operating and servicing instructions.*

-  **ATTENTION :** *This system must be connected to the output socket with grounded thread.*
-  **ATTENTION :** *Don't refit the system or spare parts without being authorized as this will cause the hidden trouble.*
-  **WARNING :** *Don't lay the fire source (such as litten candle) above the equipment.*
-  **ATTENTION :** *Please operate cautiously even when the main socket or the coupling apparatus is used as disconnection equipment.*

1. Read this instruction first before using this product.
2. Please keep this manual for future reference
3. Pay attention to all warnings.
4. Obey all operating instructions.
5. Do not expose this product to rain or moisture.
6. Smear this equipment with dry cloth.
7. Do not block any ventilation openings. Install according to instructions of the manufacturer.
8. Do not install this product near any heat source, such as caliduct, heater, burner, or any other equipment with heat radiation (include amplifier).
9. Do not destroy the safety settings of the polarity or grounded connector. If the connector provided can't be plugged into the socket, please ask for the electrician to change the socket.
10. Avoid the thread (especially the connector, socket, and the parts outside the body) to be under kick or heavily hustled.
11. Only use spare parts appointed by manufacturer. .
12. Please only use cart, stand, tripod, bracket and table that are appointed by manufacturer or sold together with the apparatus. Please avoid overturn the cart or apparatus when push.
13. In the event of lighting flash or nonuse for a long period, please put off the power supply and pull out the cord to avoid unexpected dangers.
14. When the apparatus damages in the case of the power cord or connector damages, liquids spill into the inside of the product or objects fall into, exposure to rain or moisture, apparatus are out of work or breaks, please ask for the help from the professionals.
15. To avoid hazard of fire or electric shock, please avoid socket, extend thread, and power supply been overloaded.
16. Take care that objects do not fall into and that liquids are not spilled into the inside of the product as this will cause hazard of fire or electric shock.
17. Pay attention to the safety symbol in the outer side of the cover.
18. Only plug the connector in proper power supply of which the voltage complies with this equipment. Please follow the operating instruction or symbol.
19. This equipment must be protected from the spill or insufflations of liquid. Do not lay objects filled with liquid (such as vase) above this equipment.

## CONTENT

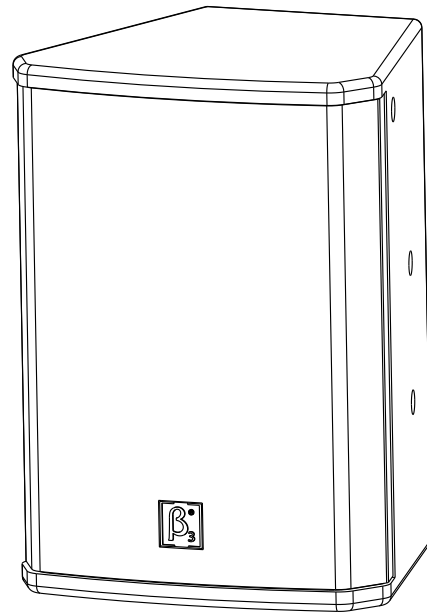
INTRODUCTION	3
Features	3
Description	3
Applications	3
AMPLIFIER MODULE	4
Rear Panel	4
INSTALLATION	5
Installation Accessories	5
Installation Reference	5
TECHNICAL SPECIFICATION	6
Technical Sheet	6
Frequency Response And Impedance Curve	6
2D Dimension	7

# MU8a

Two way full range active speaker

## Features

- Two way full range phase inverted speaker, which adopt Coaxial transducer with 8" LF part and 1.4" HF part.
- Built-in single channel amplifier, power is 150W/40ms
- Combo input connector
- Volume control, low pass adjustment
- Single Neodymium magnet design on the coaxial transducer
- Support flange, three mounting points.
- Powder coated grille can be used outdoors for 5 years. The foam backside of the grille can prevent the rain.
- Advanced paint materials and advanced painting technology make the surface very rigid.
- The sound is very clean, powerful and stretchy.



## Description

3<sup>®</sup> MU8a is a very compact design active speaker integrated the coaxial transducer. It consists of one 8" Neodymium woofer with 34MM voice coil and one 1.4" compression driver. The rated power is 150W. Symmetrical magnet circuit design reduce the impar HD effectively and enhance the LF sound quality.

Cabinet is made of 15mm birch plywood with advanced environmental protection.

Polyurethane-based painting which is very rigid. The cabinet strength reach to 4500N.

Q235 grille is coated by powder to provide strong ultra-Weatherability, can be used outdoors for 5 years. The backside foam of grille can prevent the rain.

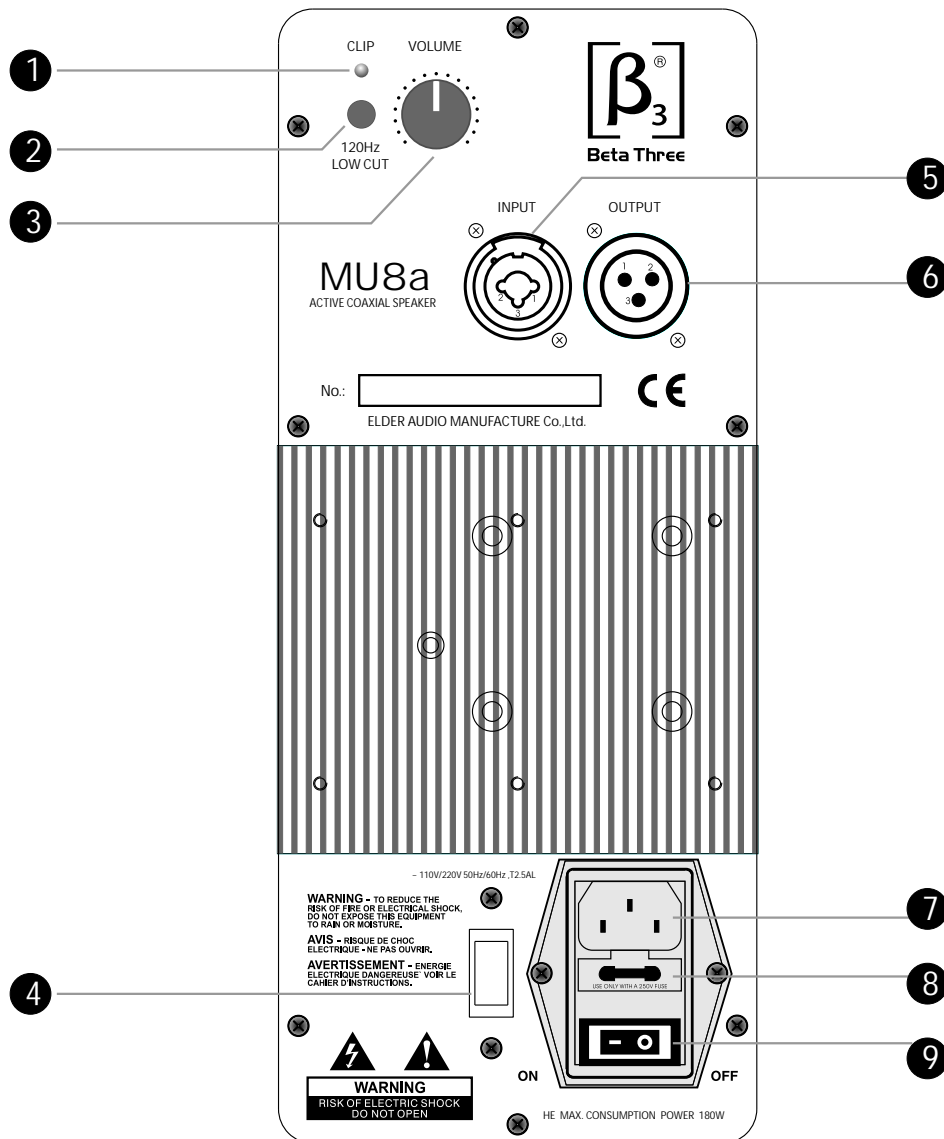
MU8a adopts the built-in crossover and single channel amplifier module.

MU8a is mainly designed for conference room, multifunctional hall, auditorium, church, living performance. It can be used separately, or can be used with MU12Ba together.

## Applications

- multifunctional hall
- small hall
- Church
- conference room
- background music

Introduction Of Amplifier Module



- |                       |                                |                        |
|-----------------------|--------------------------------|------------------------|
| 1. Overload indicator | 4. AC 110V/220V voltage switch | 7. Power supply socket |
| 2. Low-cut            | 5. Mic/signal input            | 8. Fuse                |
| 3. Volume control     | 6. Mic/signal output           | 9. Power supply switch |

## Installation Accessories(Optional)

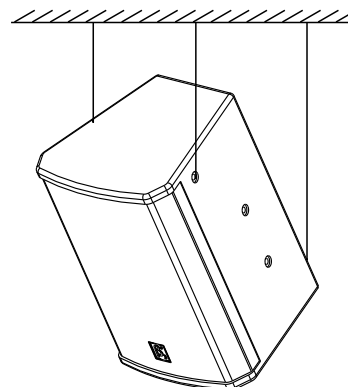
Support flange and three special mounting points are very convenient for the different applications.

### 1. Speaker stand

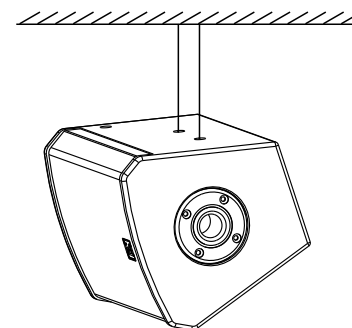


## Installation Reference

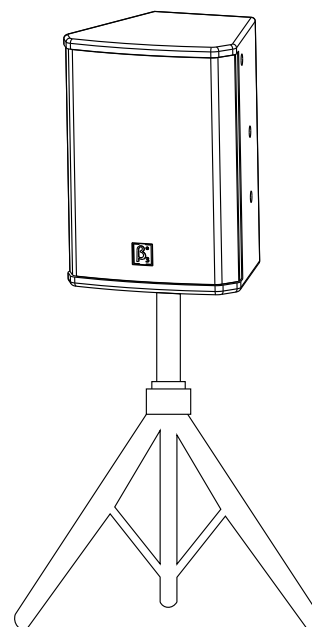
### 1.Installation reference



### 2.Installation reference



### 3. Speaker stand application

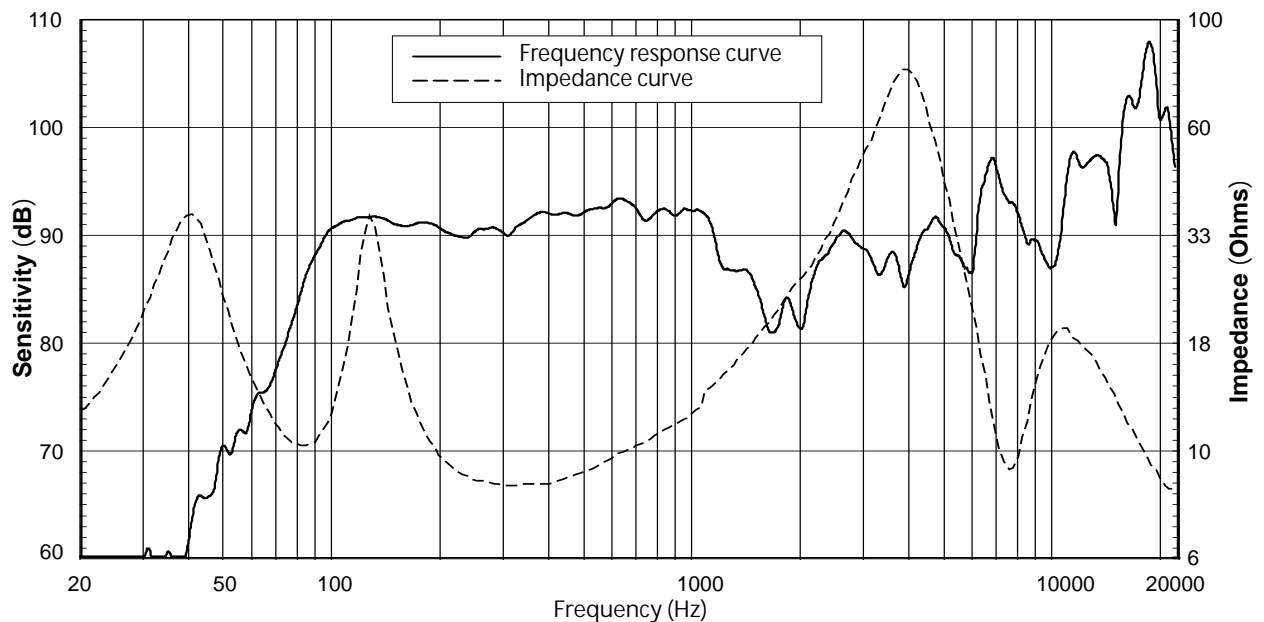


**⚠ Warning:** Make sure the mounting accessories safety factor not less than 5:1 or meet the local standard during installation .

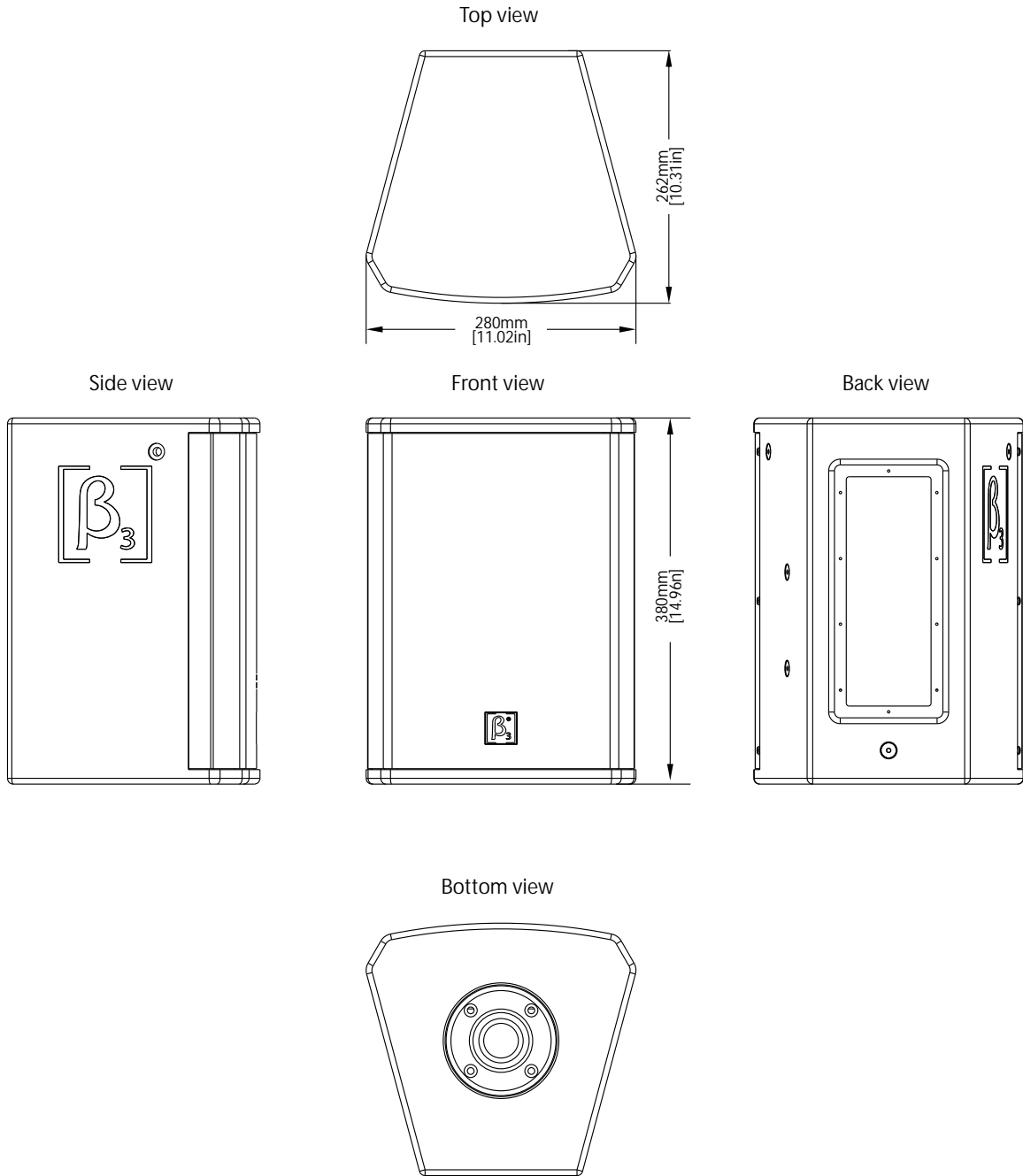
Specification

Frequency response(-3dB):	80Hz-20Hz
Max.SPL(1m):	113dB/119dB(PEAK)
Dispersion:	Horizontal 90° , Vertical 90°
Transducer:	1X 8" Neodymium woofer, 8ohm, 140W 1X1.4" compression driver(Neodymium coaxial design)
Input:	one channel balanced input(6.35/XLR)
Connector:	6.35/XLR for input, XLR for output
Input impedance(line):	20Kohm balanced input
Input level:	0 dBV (1 V rms, 1.4 V peak)Line-100Hz
Input overloading level:	Maximum input level +20 dBV (10 V rms, 14 V peak)
Wire connection:	pin 1: ground; pin2: signal +; pin3: signal -
Heat radiation:	Forced air-cooled drives
Power cable:	Power Con, three pins
Voltage:	110V/220V with switch
Safety voltage range:	220V+/-10% AC (IN 220V)
Power supply consumption power(static) :	11W
Amplifier power output:	180W
Cabinet:	15mm birch plywood
Installation/flying mounting:	2XM8 mounting points
Painting:	Cabinet coated by Polyurethane paint; grille is powder coated
Cabinet dimension:	280 × 262 × 380mm(11.0 × 10.3 × 15.0in)
Packing dimension:	340 × 320 × 460mm(13.4 × 15.6 × 18.1in)
Net weight:	9.5kg(20.9 lb)
Gross weight:	10.5kg(23.1lb)

Frequency response curve & Impedance curve



2D Dimension





Notes:



**Beta Three**