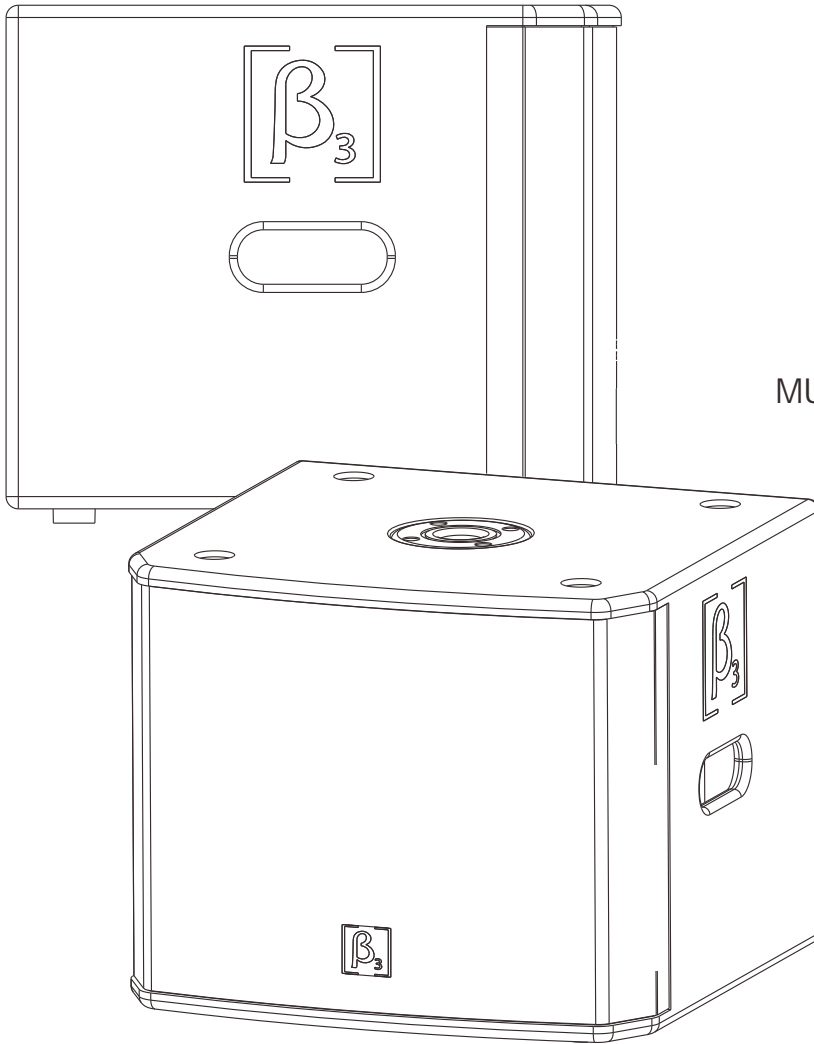




Beta Three



## MU12Ba

12" Active Subwoofer  
MU Series Pro Loudspeaker System

User Manual








UM- MU12Ba- 20090801 ver A



# SAFETY INSTRUCTIONS

## PLEASE READ THIS MANUAL FIRST

Thanks for buying  $\beta_3$  products. Read this manual first as it will help you operate the system properly. Please keep this manual for future reference.

-  **WARNING:** *This product must be installed by professionals. When using the hanging and rigging parts that are not appointed, please ensure the intensity of the structure comply with the local safety criterion.*
-  **WARNING:** *To reduce the risk of fire or electric shock, do not expose this apparatus to rain or moisture.*
-  **WARNING:** *To reduce the risk of electric shock, only qualified professionals can remove the cover of this system.*

	<b>CAUTION</b> RISK OF ELECTRICAL SHOCK DO NOT OPEN	
CAUTION: TO REDUCE THE RISK OF ELECTRIC SHOCK, DO NOT REMOVE COVER (OR BACK). NO USER-SERVICABLE PARTS INSIDE. REFER SERVICING TO QUALIFIED PERSONNEL.		





	<b>AVIS</b> RISQUE DE CHOC ÉLECTRIQUE NE PAS OUVRIR	
ATTENTION : POUR RÉDUIRE LE RISQUE DE DÉCHARGE ÉLECTRIQUE, NE RETIREZ PAS LE COUVERCLE (OU L'ARRIÈRE). IL NE SE TROUVE À L'INTÉRIEUR AUCUNE PIÈCE POUVANT ÊTRE RÉPARÉE PAR L'USAGER. S'ADRESSER À UN RÉPARATEUR COMPÉTENT.		



*The lightning flash & arrowhead symbol within an equilateral triangle is intended to alert you that this part is not dielectric, and may cause the hazard of electric shock.*



*The exclamation point within an equilateral triangle is intended to alert you to the presence of important operating and servicing instructions.*


-  **ATTENTION :** *This system must be connected to the output socket with grounded thread.*
-  **ATTENTION :** *Don't refit the system or spare parts without being authorized as this will cause the hidden trouble.*
-  **WARNING :** *Don't lay the fire source (such as litten candle) above the equipment.*
-  **ATTENTION :** *Please operate cautiously even when the main socket or the coupling apparatus is used as disconnection equipment.*

1. Read this instruction first before using this product.
2. Please keep this manual for future reference
3. Pay attention to all warnings.
4. Obey all operating instructions.
5. Do not expose this product to rain or moisture.
6. Smear this equipment with dry cloth.
7. Do not block any ventilation openings. Install according to instructions of the manufacturer.
8. Do not install this product near any heat source, such as caliduct, heater, burner, or any other equipment with heat radiation (include amplifier).
9. Do not destroy the safety settings of the polarity or grounded connector. If the connector provided can't be plugged into the socket, please ask for the electrician to change the socket.
10. Avoid the thread (especially the connector, socket, and the parts outside the body) to be under kick or heavily hustled.
11. Only use spare parts appointed by manufacturer. .
12. Please only use cart, stand, tripod, bracket and table that are appointed by manufacturer or sold together with the apparatus. Please avoid overturn the cart or apparatus when push.
13. In the event of lighting flash or nonuse for a long period, please put off the power supply and pull out the cord to avoid unexpected dangers.
14. When the apparatus damages in the case of the power cord or connector damages, liquids spill into the inside of the product or objects fall into, exposure to rain or moisture, apparatus are out of work or breaks, please ask for the help from the professionals.
15. To avoid hazard of fire or electric shock, please avoid socket, extend thread, and power supply been overloaded.
16. Take care that objects do not fall into and that liquids are not spilled into the inside of the product as this will cause hazard of fire or electric shock.
17. Pay attention to the safety symbol in the outer side of the cover.
18. Only plug the connector in proper power supply of which the voltage complies with this equipment. Please follow the operating instruction or symbol.
19. This equipment must be protected from the spill or insufflations of liquid. Do not lay objects filled with liquid (such as vase) above this equipment.



CONTENT

INTRODUCTION	3
Features	3
Description	3
Applications	3
AMPLIFIER MODULE	4
Rear Panel	4
INSTALLATION	5
Installation Accessories	5
Installation Reference	5
TECHNICAL SPECIFICATION	6
Technical Sheet	6
Frequency Response And Impedance Curve	6
2D Dimension	7

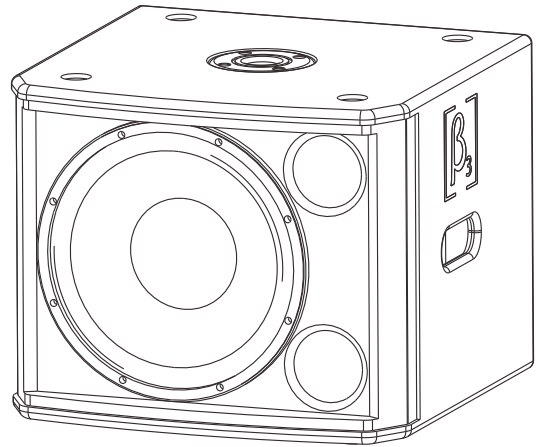
 Product information may be updated without notification, please visit [www.elderaudio.com](http://www.elderaudio.com) for latest update.

## MU12Ba

Single 12" active subwoofer

### Features

- Single 12" active phase inverted subwoofer.
- Built-in 350W/4ohm power amplifier with high-cut.
- One input and one output.
- 300W woofer with 3" voice coil.
- Built-in crossover make the sound very natural.
- Powder coated grille can be used for 5 years outdoors, backside foam of grille prevent the rain.
- Advanced paint materials and the painting technology make the surface very rigid.
- The sound is very clean, powerful and stretchy.



### Description

3<sup>®</sup> MU12Ba is a brand new design subwoofer in MU family. It adopts one 12" LF woofer, built-in crossover and single channel amplifier. 3" voice coil with round copper wire and Aluminium bobbin delivery 300W power, symmetrical magnet circuit design reduce the impar HD effectively and enhance the LF sound quality.

Cabinet is made of 15mm birch plywood with advanced environmental protection Polyurethane-based painting which is very rigid. The cabinet strength reach to 4500N. The 35mm flange can be used to support Mu8a.

Q235 grille is coated by powder to provide strong ultra-Weatherability, can be used outdoors for 5 years. The backside foam of grille can prevent the rain.

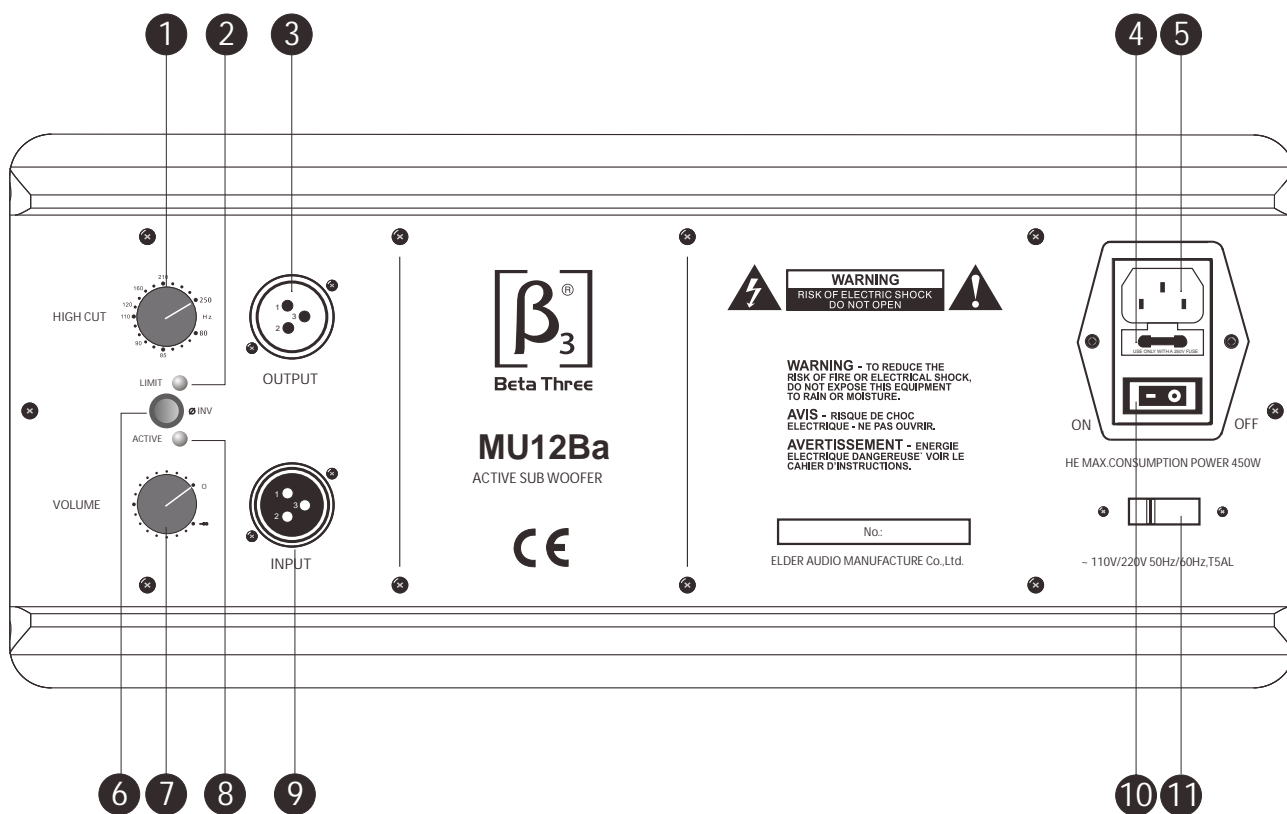
MU12Ba is a protection free design, which reduce the interfere and enhance the sound quality.

MU12Ba can be used with MU8a together to meet the application in conference room, multifunctional hall, small auditorium, church, living performance, etc.

### Applications

- Conference Room
- Small Auditorium
- Multifunctional Hall
- Church
- Small Performance

Introduction Of Amplifier Module



1. High-cut
2. Overload indicator
3. Mic/signal output
4. Fuse
5. Power supply socket
6. Phase inverted switch
7. Volume control
8. Status indicator
9. Mic/signal input
10. Power supply switch
11. AC 110V/220V voltage switch

## Installation Accessories

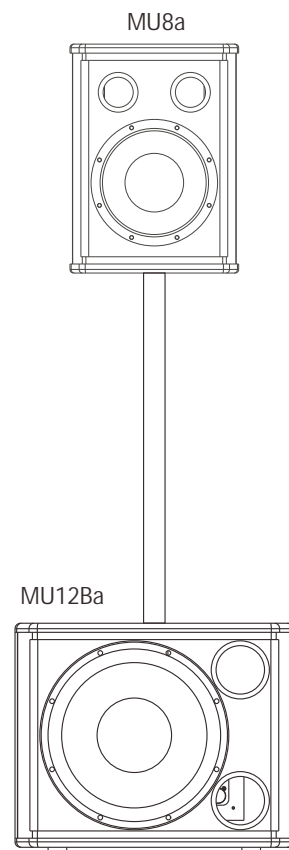
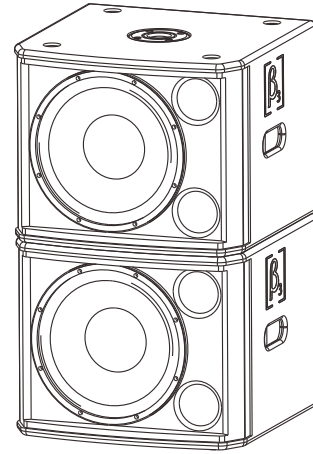
The support flange in the top of MU12Ba is for the pole mounting application with MU8a.

### 1. Speaker stand



## Installation Reference

### 1. Stack

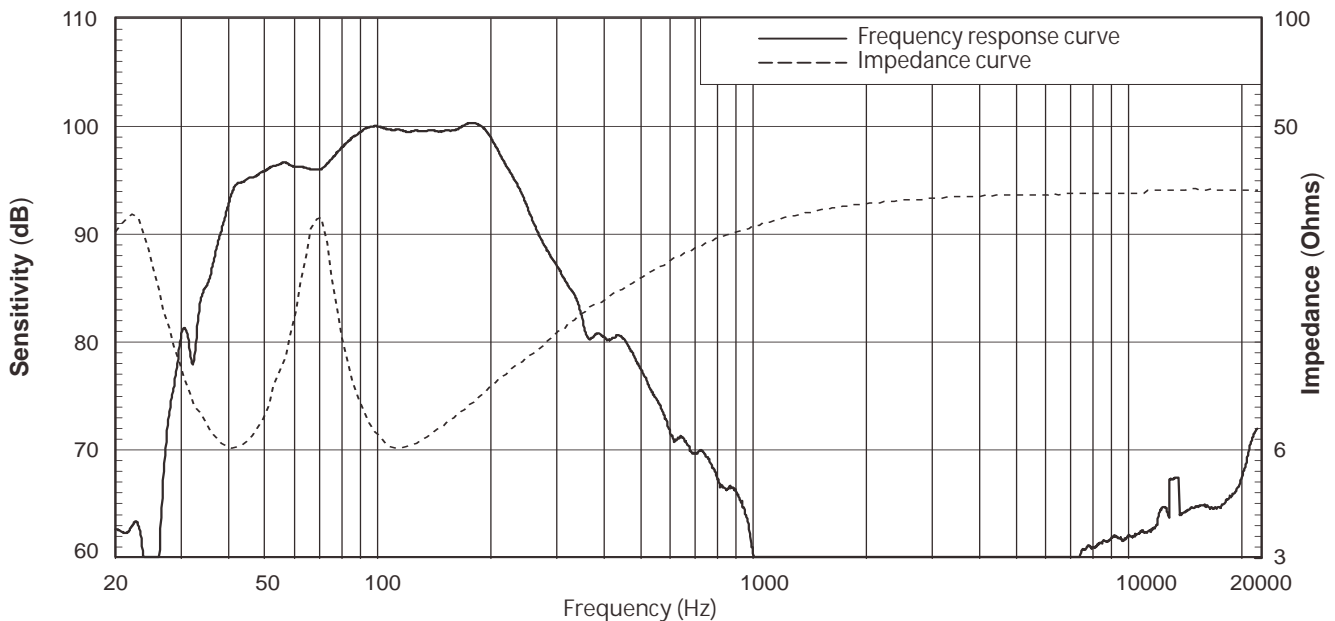


**⚠ Warning:** Make sure the mounting accessories safety factor not less than 5:1 or meet the local standard during installation .

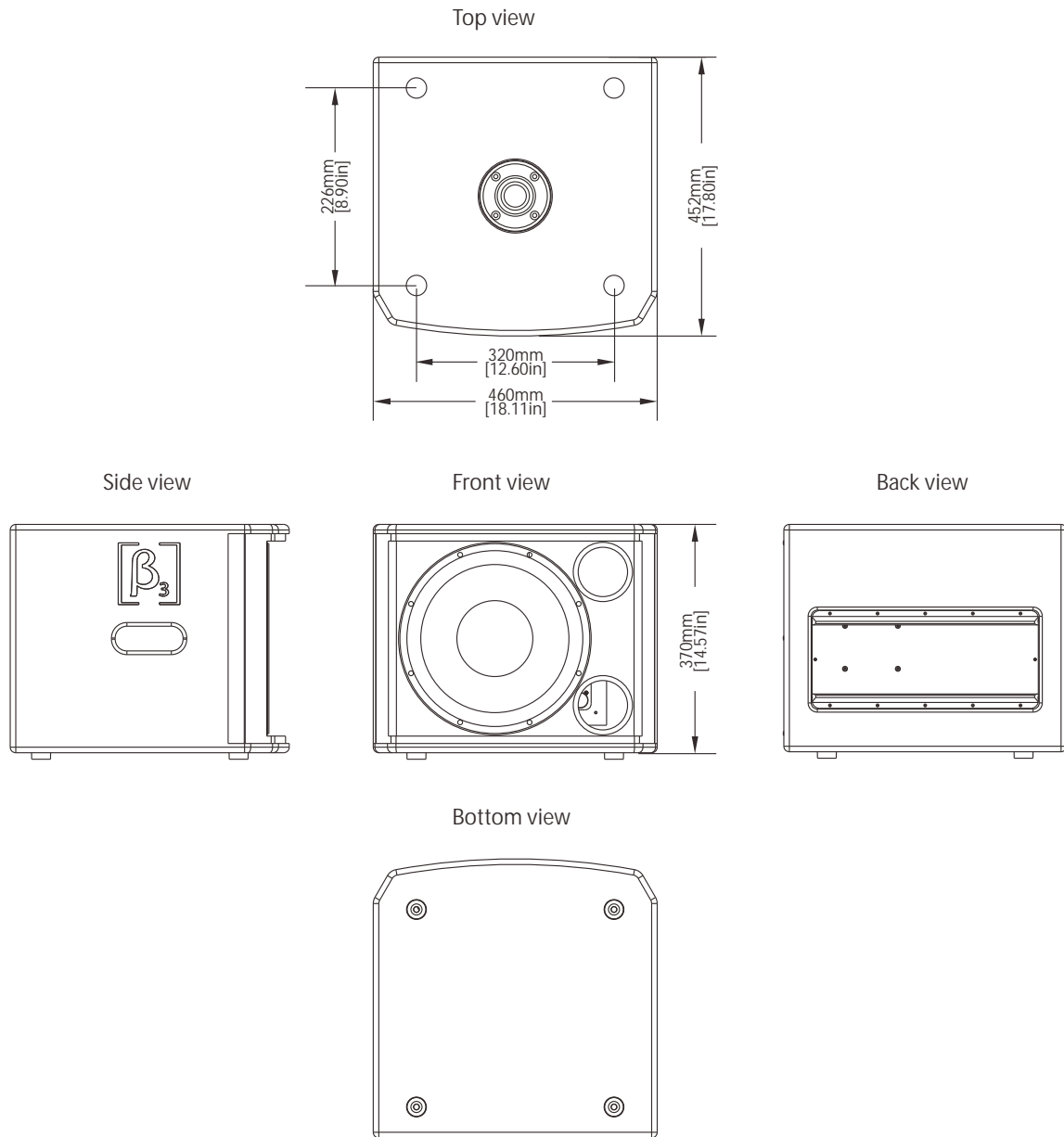
Specification

Frequency response(-3dB):	40Hz-250Hz
Max.SPL(1m):	118dB/124dB(PEAK)
Transducer:	1X 12" Neodymium woofer, 8ohm, 300W
Input:	one channel balanced input(6.35/XLR)
Connector:	6.35/XLR for input, XLR for output
Input impedance(line):	20Kohm balanced input
Input level:	0 dBV (1 V rms, 1.4 V peak)Line-100Hz
Input overloading level:	Maximum input level +20 dBV (10 V rms, 14 V peak)
Frequency response of AMP:	20Hz-250Hz
High cut:	80Hz-250Hz
Wire connection:	pin 1: ground; pin2: signal +; pin3: signal -
Heat radiation:	Forced air-cooled drives
Power cable:	PowerCon, three pins
Voltage:	110V/220V with switch
Safety voltage range:	220V+/-10% AC (IN 220V)
Power supply consumption power(static) :	12W
Amplifier power output :	450W
Cabinet:	15mm birch plywood
Handle:	2X wooden handles
Painting:	Cabinet coated by Polyurethane paint; grille is powder coated
Cabinet dimension:	460 × 452 × 370mm(18.1 × 17.8 × 17.6in)
Packing dimension:	550 × 550 × 470mm(21.7 × 21.7 × 18.5in)
Net weight:	22.5kg(49.5 lb)
Gross weight:	24.5kg(53.9 lb)

Frequency response curve & Impedance curve



2D Dimension





Notes:



**Beta Three**