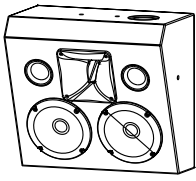
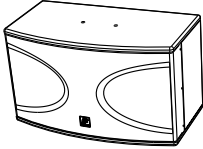


F-series USER MANUAL

English

3G Audio professional Karaoke speaker is the high grade professional equipment for commercial KTV entertainment. It combines the state-of-the-art technology and ample experience in the field of Karaoke and contains the 3G Audio's ten years' understanding for the Karaoke sound reinforcement, which concentrates on the reflection of the human voice's penetrability and decoration, and the music atmosphere with suitable sound pressure and power. All loudspeakers' key material is custom-made according to special requirement of the 3G Audio. Moreover, the crossover's design is completed by CAD to superior listening engineer's adjustment and then to the precise test in the Anechoic Chamber. So, the speakers of VS series can give you comfortable feeling and fully inspire your enthusiasm for singing.

SPECIFICATION

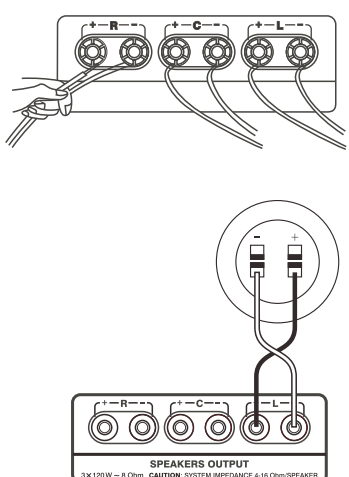
			
MODEL	<i>F8.2</i>	<i>F10</i>	<i>F10D</i>
Transducers	8"X2(LF) 1"X1(HF)	10"X1(LF) 3"X2(HF)	10"X1(LF) 3"X4(HF)
Frequency Response (-3dB)	40Hz-18kHz	45Hz-17kHz	45Hz-19kHz
Max SPL(1m)	121dB	121dB	121dB
Sensitivity	91dB/1m/1W	92dB/1m/1W	92dB/1m/1W
Rated impedance	4Ω	8Ω	8Ω
Power(RMS)	250WATT	180WATT	200WATT
Dimension(W×D×H)	526 X301 X488mm	502 X270 X292mm	502 X270 X292mm
Packing Size(W×D×H)(pair)	590 X646 X410mm	655 X570 X360mm	655 X570 X360mm
N.W	16.5kg/pcs	10kg/pcs	10.5kg/pcs

THE SPEAKER'S CONNECTION

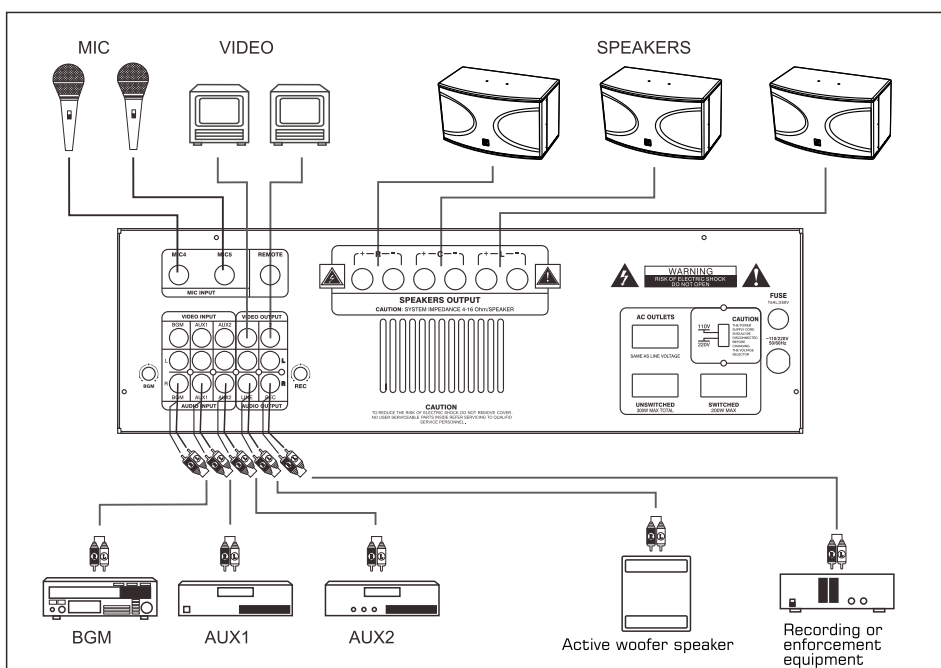
- Turn the screw on the amplifier's connection pole by laevorotation and then insert the speaker cable to the hole from the side .
- Turn the screw on the amplifier's connection pole by clockwise and press the speaker cable well.
- Connect the speaker cable with the terminal as per the related polarity.
- There are four terminals and the other two can connect with speaker in daisy connection.

Remark:

- the amplifier and the speaker cable should connect the right polarity, other wise the voice will become un-nature and less low frequency.
- Choose the suitable speaker cable before the connection and connect from the shortest.
- make sure the projection of the lead end not touch the next lead



THE EXAMPLE OF SYSTEM CONNECTION



THE REMOVE FOR THE FAULT OF THE KTV SYSTEM

No voice in the system

- Check the power is normal or not
- Check the plug is connected the socket by a right way
- Check the amplifier's power is on or off
- Check the original voice is on or off
- The signal cable connect the amplifier input by a right way
- The speaker cable connect the speaker by a right way
- The main volume control in the amplifier set the suitable voltage
- The hidden volume control in the amplifier set the suitable voltage

No voice on speakers' one side

- The signal fail to input by one side and please check the connection of the signal cable
- One side of the speaker cable have a bad connection
- The equation control of the amplifier is on the middle position or not

Not enough volume

- The main volume control in the amplifier set the suitable voltage
- The hidden volume control in the amplifier set the suitable voltage

No voice from the microphone

- The microphone is normal or not
- The microphone is on or off
- The connection of the microphone is normal or not
- The volume in the related microphone channel set the suitable voltage
- The volume control in the amplifier set the suitable voltage

No reverberation

- The effect volume control in the amplifier's microphone set the suitable voltage
- The effect functional volume control in the amplifier's microphone is on or off



Please contact our distribute dealer if fail to solve the problem

ATTENTION

- Make sure the voltage is normal before open the power and the voltage of the amplifier have been set within the city voltage range
- The anode and cathode of the speaker is same with the amplifier's when connect the system
- The power of matched amplifier should be between 50%-150%.
- Don't set the volume control of the amplifier or the equalize on the biggest position or it will maybe damage the speaker
- Only use the speaker cable when connect the speaker with the amplifier. Any other cable will maybe leading to fire
- Close all the power before the connection of the speaker and other equipment and set the all voice volume control on the minimum position before close or open all the power
- Don't keep using the speaker on a very high or uncomfortable volume by a long time or it will maybe damage your ear forever
- Don't use the speaker with distortion voice by a long time or it will leading to overheat and set fire
- When you make the flying speakers, please pay attention to the follows:
 - adjust the high voice axis to point at the effective listen space;
 - The speaker should away from the back wall within 50cm and 30cm longer from the side wall.

The technical specification and introduction in this manual is only for reference and our company keep the right to modify or change the product or technical specification at any time. We will not inform you if we make the modification. Because the tech specification, equipment or the accessories maybe different from each other as per different region, so please confirm with our local distribute dealer if you have any question.

THE PACKING INSIDE INCLUDES:

Speaker, Manual and Guarantee Card



www.beta3pro.com

GB/T 9397-1996

AES2-1984(r2003)

3G Audio Technology Co., Ltd.