

Beta Three

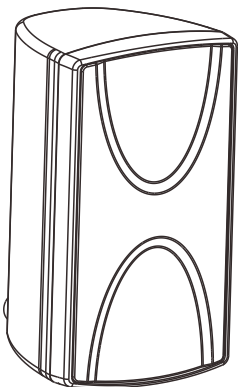
# S400a





## CONTENTS

PRODUCT FEATURES .....	1
SPECIFICATION .....	1
ACOUSTIC CHARTS .....	2
AMPLIFICATION MODULE .....	6
INSTALLATION .....	7
DIMENSIONS .....	7
LIMITED WARRANTY .....	8



# S400a

## PRODUCT FEATURES

Three transducers two way active full range plastic speaker.

Two 4 inch High sensitivity, dynamic woofer.

One 25mm silk dome compression tweeter.

120° x 120°dispersion .

We adopt electronic protection on crossover configuration.

It is suitable for shop, super market, coffee bar commercial background music and all kinds of meeting rooms, personal multi-media music monitor and so on.

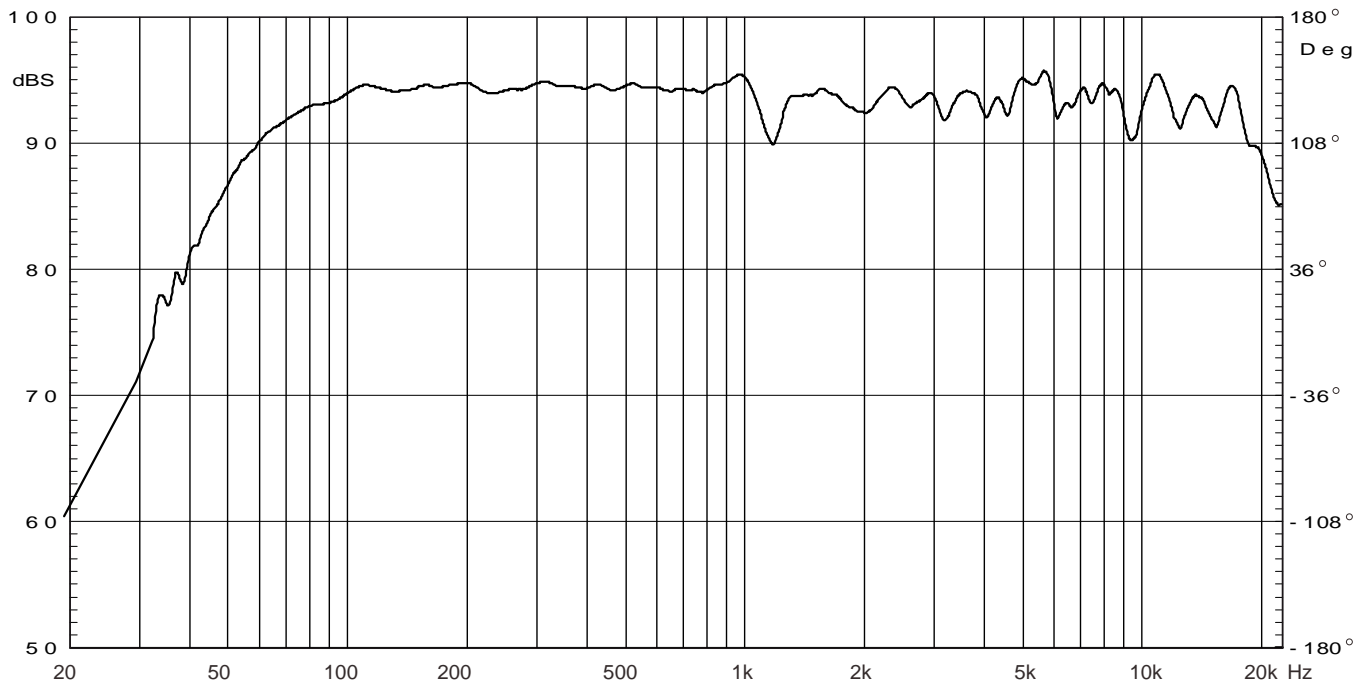
The special mounting bracket is available for fixed installation, the minimum adjustable vertical angel can be 10 °

## SPECIFICATION

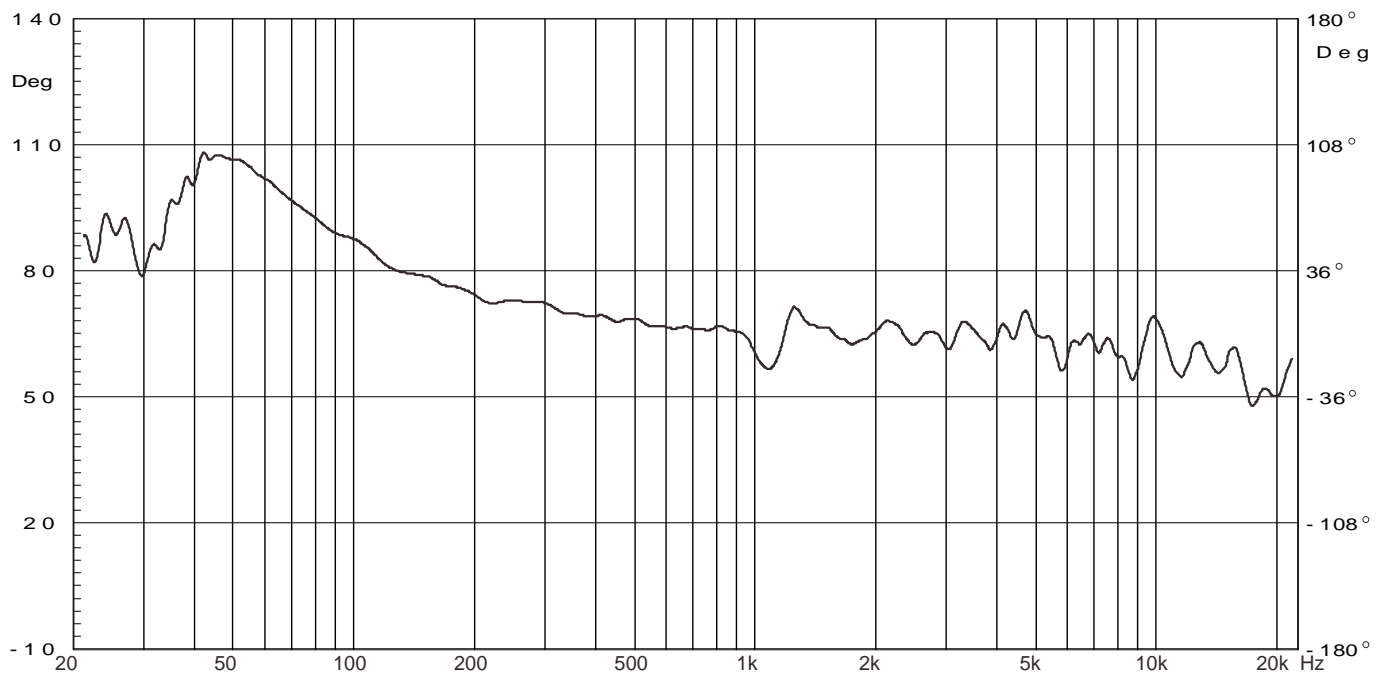
Components	LF : 4" x 2 HF:1x1"
Frequency response (-3dB)	100Hz-20KHz
Max SPL	118dB
Crossover point (DSP)	2KHz
Dispersion (H x V)	120° x 120°
Input impedance	Unbalanced10K
Input sensitivity	Line 500mV
Tone adjustment range	± 12dB
Connector type	XLR J3P / XLR K3P
Power supply	AC 220V-240V~, 50/60Hz (or AC 110V-120V~, 50/60Hz)
Amplifier power output	100W
Harmonic distortion	< 3%
N.W	6kg
G.W	7kg
Cabinet dimension (W x H x D)	182 x 320 x 182mm
Package dimension (W x H x D)	230 x 375 x 230mm

# S400a

## FREQUENCY RESPONSE

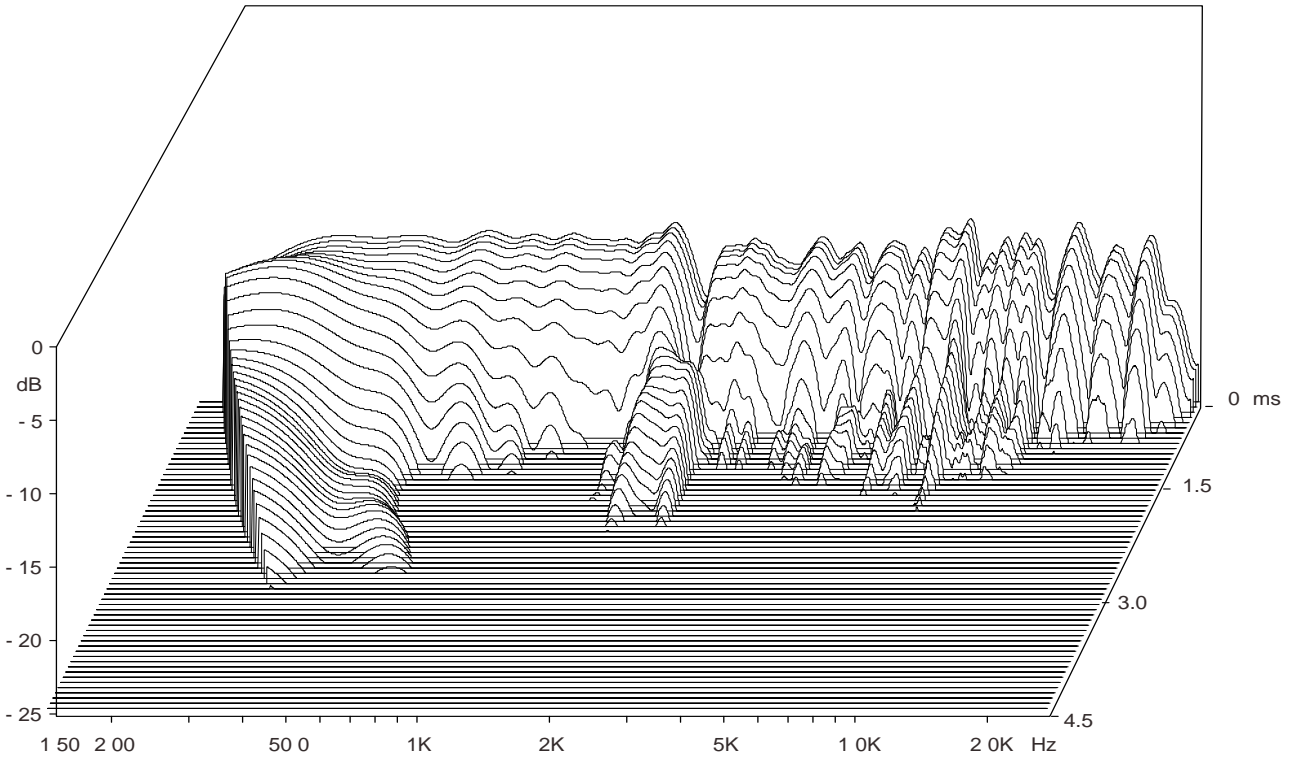


## PHASE RESPONSE

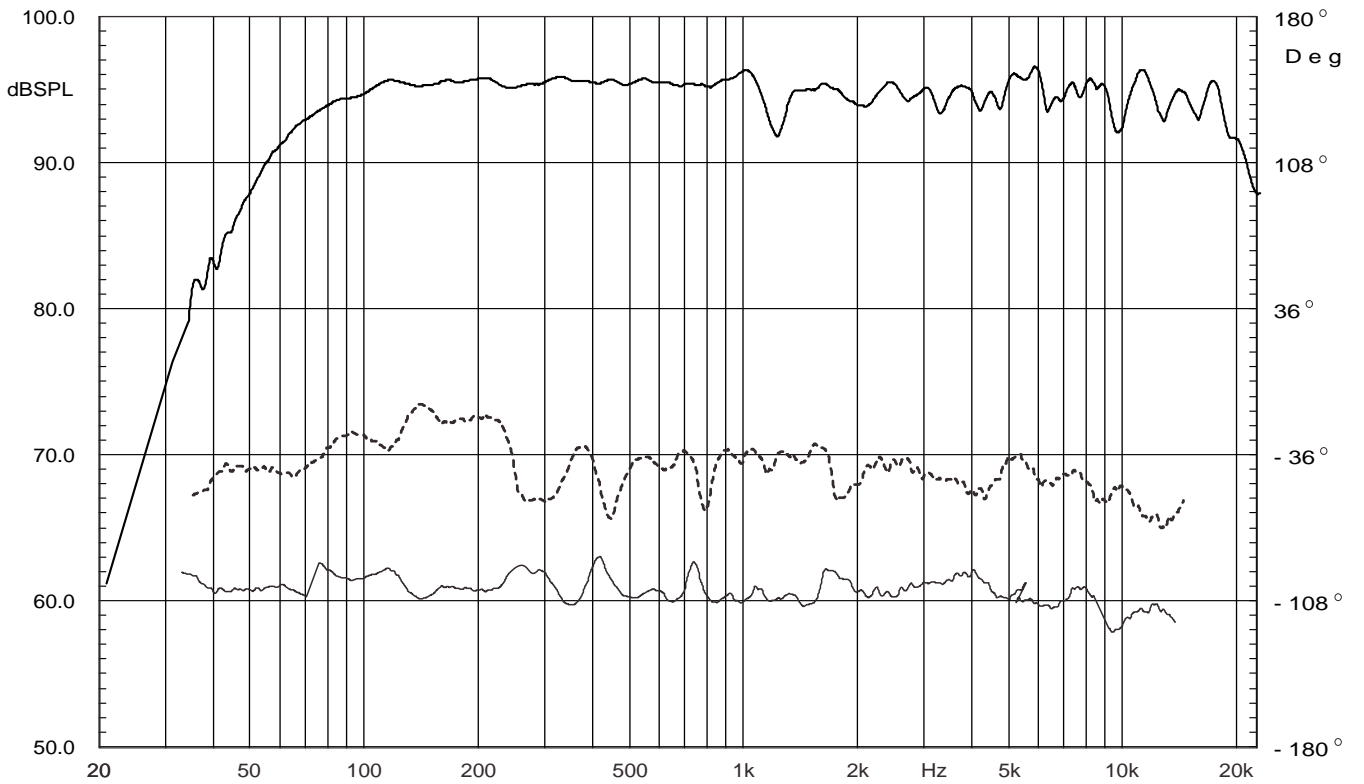


# S400a

## WATERFALL



## THD

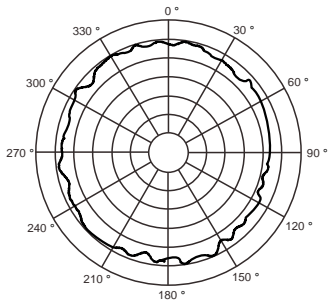


————— Frequency Response    - - - - - 2nd Distortion    ——— 3rd Distortion

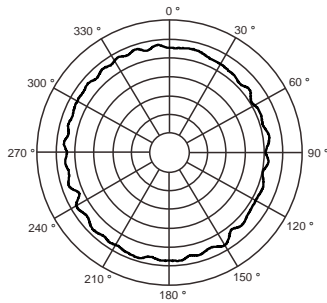
# S400a

## HORIZONTAL DIRECTIVITY

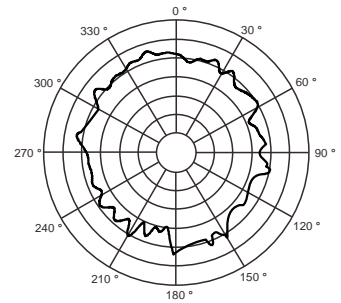
The data of S400a horizontal directivity were collected by testing the speaker system in a big anechoic chamber.



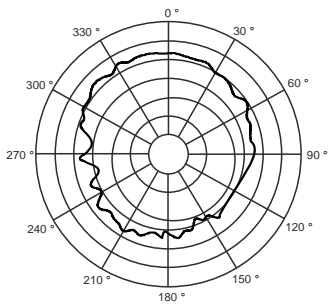
100Hz



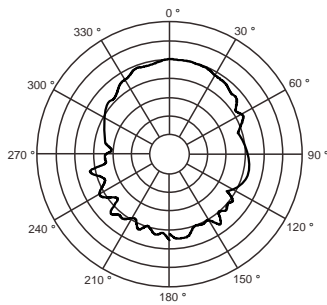
160Hz



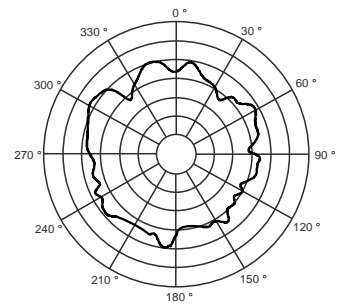
200Hz



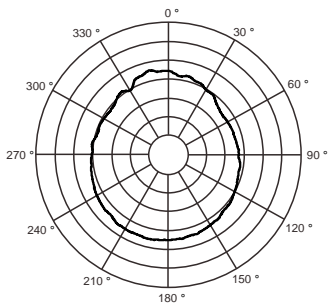
400Hz



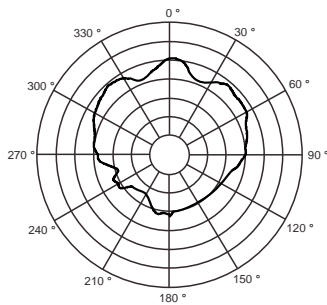
630Hz



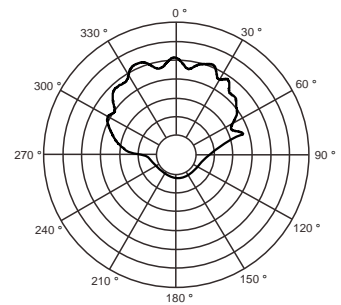
1.0kHz



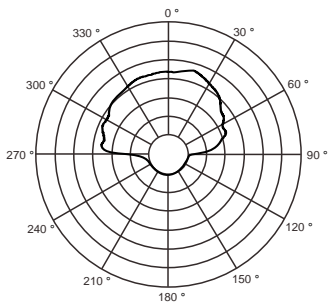
1.6kHz



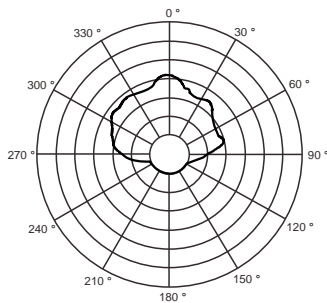
2.5kHz



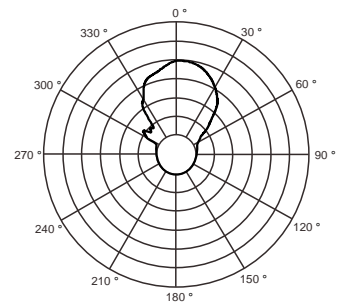
3.15kHz



6.3kHz



10kHz



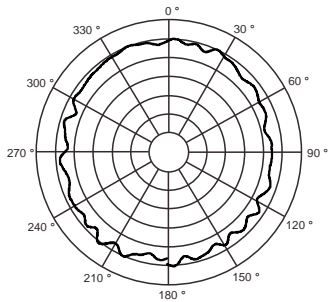
16kHz

The scale is stepped by 6dB increment.

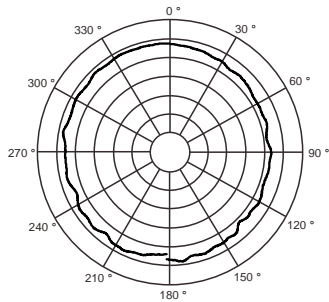
# S400a

## VERTICAL DIRECTIVITY

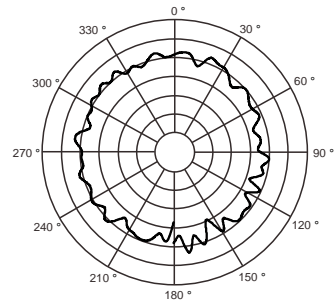
The data of S400a vertical directivity were collected by testing the speaker system in a big anechoic chamber.



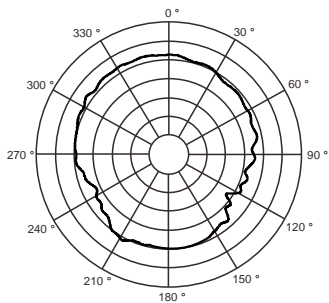
100Hz



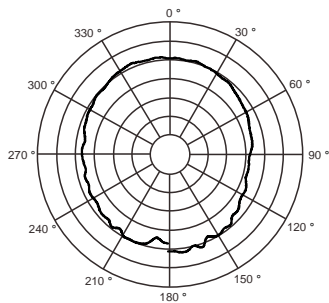
160Hz



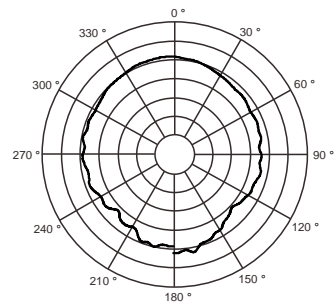
200Hz



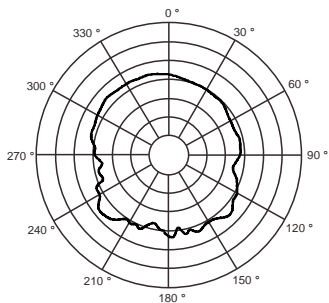
400Hz



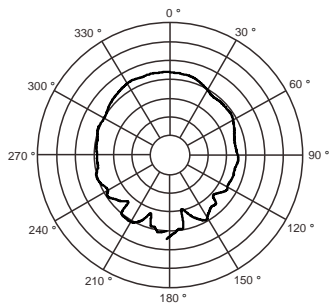
630Hz



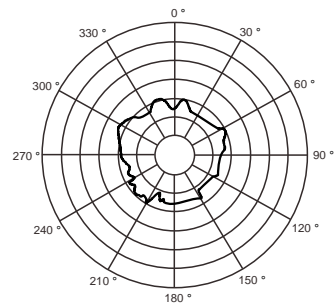
1.0kHz



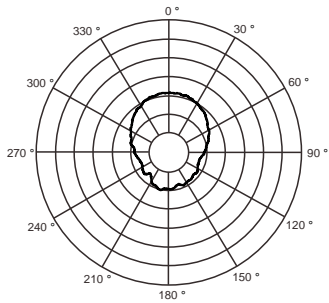
1.6kHz



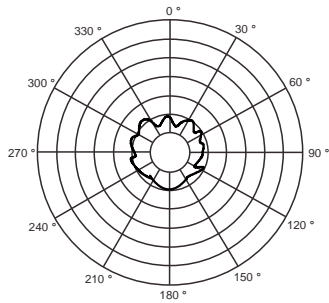
2.5kHz



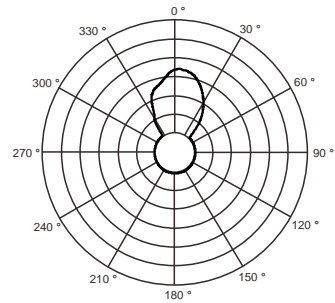
3.15kHz



6.3kHz



10kHz



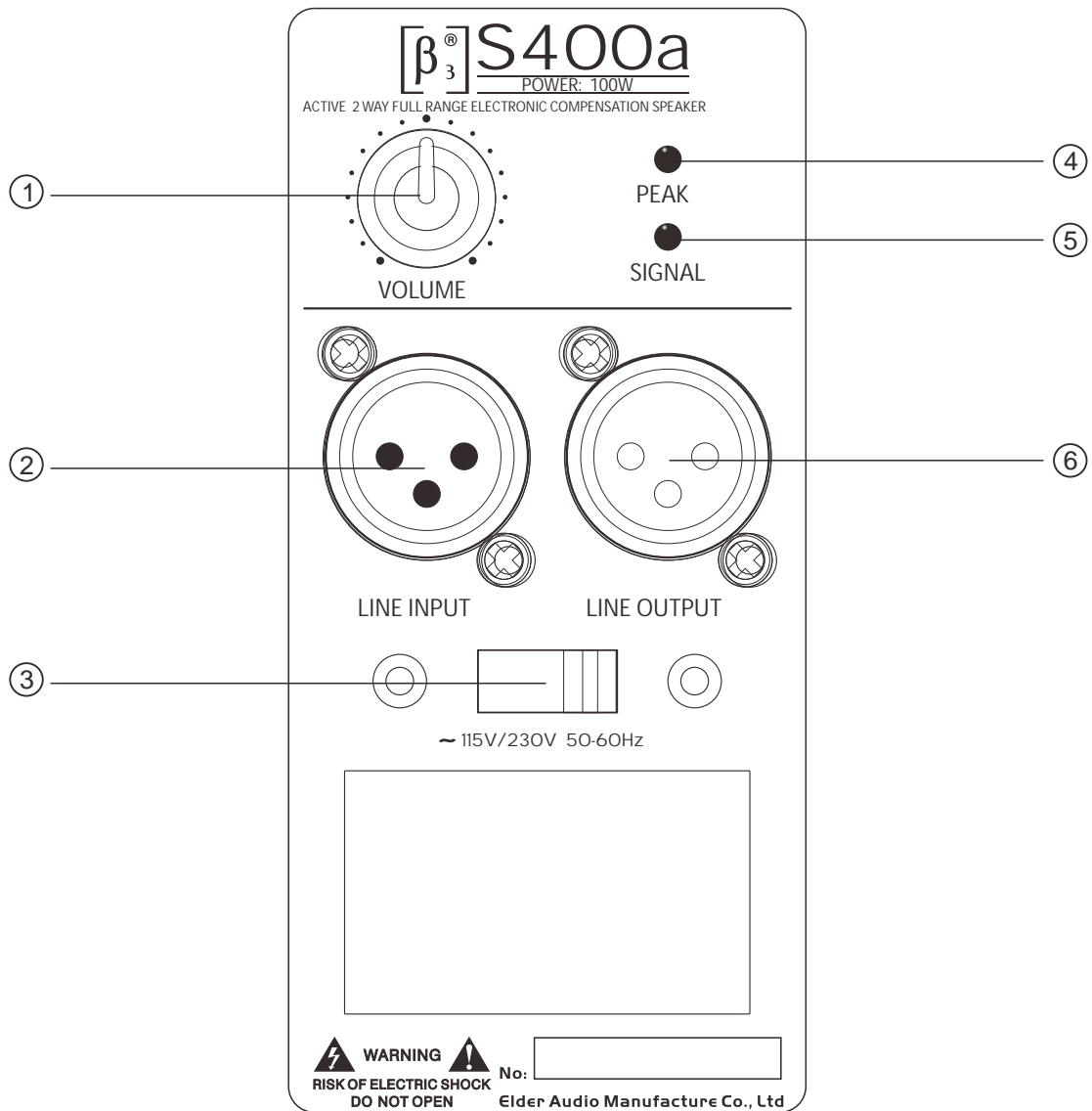
16kHz

The scale is stepped by 6dB increment.

# S400a

## AMPLIFICATION MODULE

### ACTIVE AMPLIFIER



1. Volume

2. Signal input

3. Voltage Switch

4. Signal Indicator

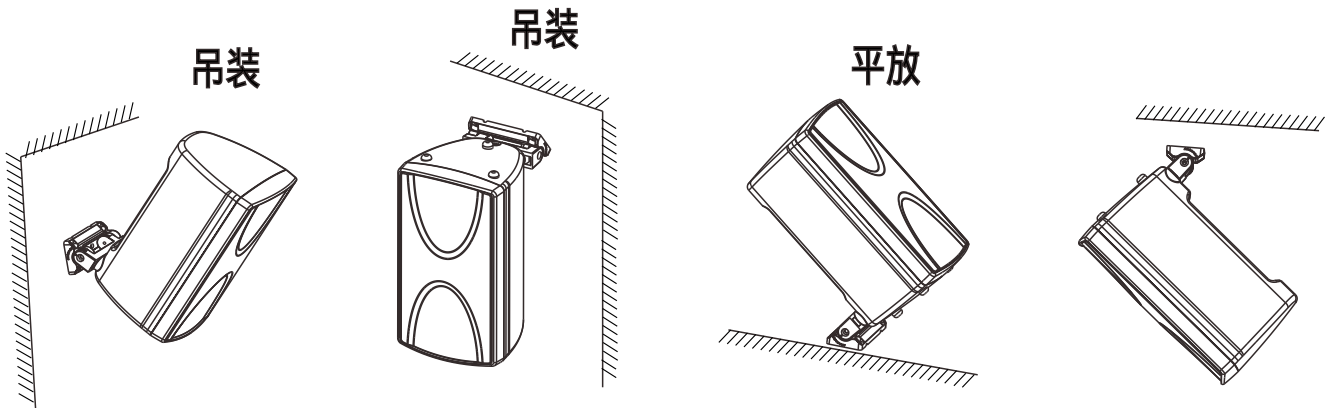
5. Overloading Indicator

6. Signal Output

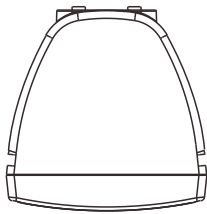


# S400a

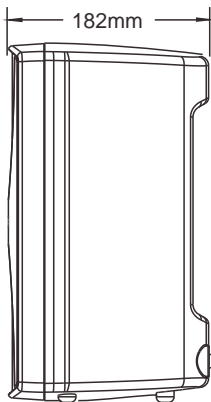
## INSTALLATION



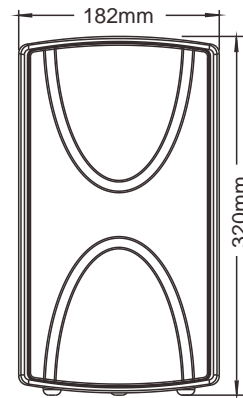
## DIMENSIONS



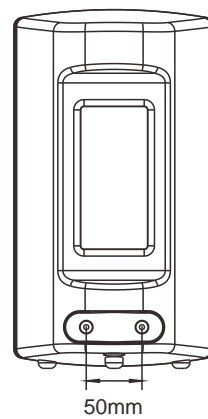
Planform



Side view



Front view



Back view

## LIMITED WARRANTY

---

If malfunction occurs during the specified warranty period from the date of original purchase, the product will be repaired or replaced without charge by Elder Audio.

The Limited Warranty does not apply to:

- (a) exterior finish or appearance;
- (b) certain specific items described in the individual product data sheet or owner's manual;
- (c) malfunction resulting from use or operation of the product other than as specified in the individual product data sheet or owner's manual;
- (d) malfunction resulting from misuse or abuse of the product;
- (e) malfunction occurring at any time after repairs have been made to the product by anyone other than Elder Audio Service or any of its authorized service representatives.

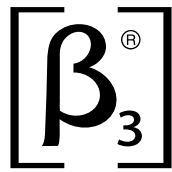
To obtain warranty service, customer must deliver proof of purchase of the product in the form of a bill of sale or receipt invoice.

S400 a Speakers and Speaker Systems are guaranteed against malfunction due to defects in materials or workmanship for a period of three (3) years from the date of original purchase. The Limited Warranty does not apply to burned voice coils or malfunctions such as cone and/or coil damage resulting from improperly designed enclosures. Additional details are included in the Limited Warranty statement.

S400a Accessories are guaranteed against malfunction due to defects in materials or workmanship for a period of one (1) year from the date of original purchase. Additional details are included in the Limited Warranty statement.

S400a Flying Hardware (including enclosure-mounted hardware and rigging accessories) is guaranteed against malfunction due to defects in materials or workmanship for a period of one (1) year from the date of original purchase. Additional details are included in the Limited Warranty statement.

**Specifications are subject to change without notice.**



**Beta Three**

S400a