



CS-1

**Active Full Range
Integrated Commercial
Audiovisual System**

User Manual





CS-1



Active Full Range Integrated Commercial Audiovisual System



Beta Three

SAFETY INSTRUCTIONS

PLEASE READ THROUGH THIS MANUAL FIRST BEFORE OPERATING THE CS-1 SYSTEM.

Thank you for purchasing this Beta3 product which will provide you with many years of reliable service. If you require support for this product please contact your Dealer for assistance.

	CAUTION RISK OF ELECTRICAL SHOCK DO NOT OPEN	
CAUTION: TO REDUCE THE RISK OF ELECTRIC SHOCK, DO NOT REMOVE COVER (OR BACK). NO USER-SERVICABLE PARTS INSIDE. REFER SERVICING TO QUALIFIED PERSONNEL.		

	AVIS RISQUE DE CHOC ÉLECTRIQUE NE PAS OUVRIR	
ATTENTION : POUR RÉDUIRE LE RISQUE DE DÉCHARGE ÉLECTRIQUE, NE RETIREZ PAS LE COUVERCLE (OU L'ARRIÈRE). IL NE SE TROUVE À L'INTÉRIEUR AUCUNE PIÈCE POUVANT ÊTRE RÉPARÉE PAR L'USAGER. S'ADRESSER À UN RÉPARATEUR COMPÉTENT.		



The exclamation point within an equilateral triangle is intended to alert you to the presence of important operating and maintenance (servicing) instructions.



The lightning flash with arrowhead symbol within an equilateral triangle is intended to alert the user to the presence of uninsulated, dangerous voltage within the product's enclosure that may be of sufficient magnitude to constitute a risk of electric shock to persons.

1. Read the instruction manual first before using this product.
2. Keep this manual safe for future reference.
3. Pay attention to all warnings.
4. Follow all operating instructions correctly.
5. Do not expose this system to rain or moisture.
6. Only clean this system with a dry cloth.
7. Install only as per manufacturer's instructions.
8. Ensure all ventilation openings are not blocked.
9. Do not install this system near any heat sources, such as a heater, burner, or any other equipment that radiates heat.
10. Use only spare parts supplied by the manufacturer. All servicing should be carried out by an approved Service Technician to ensure warranty is not voided.
11. Pay attention to all safety symbols.



WARNING: This product must only be installed by professionals. When using hanging brackets or rigging other than those supplied with the product, please ensure they comply with the local safety codes.

CONTENT

Introduction	4
Features	4
Description	4
Applications	4
Controller	5
Controller Functions	5
Controller System Operation	5
Amplifier Module	6
Input Panel	6
Single CS-1 System Connection Diagram	6
Multi-System CS-1 Connection Diagram	6
Satellite Speaker Specification	7
Specification Data	7
Installation Guide	7
2D Illustrations	7
Subwoofer Technical Specification	8
Specification Data	8
Frequency Response Curve	8
2D Illustrations	9
Installation Examples	10

What's In The Box?

Each box contains a complete Beta3 CS-1 Active Full Range Integrated Commercial Audiovisual System (CS-1), including connection cables. You can extend the provided cabling if required.

- 1 x Sub Woofer speaker
- 1 x IEC Power cable
- 4 x Satellite speakers
- 4 x Speaker brackets
- 4 x Speaker cables
- 1 x Controller
- 1 x CAT5 cable

 *Product information is subject to change without prior notification. Please visit www.beta3.com*



CS-1

Active Full Range Integrated Commercial Audiovisual System

Beta Three

INTRODUCTION

Features:

- 4.1 Audio System
- 1 x Controller:
 - Easy access to all functions
 - Audio source selection, EQ and volume control, and navigation knobs
 - Built-in touchscreen
 - Built-in 8G of ram storage capacity to store media
 - Store and replay music, picture and movie files
 - AUX, LINE, MIC, USB three-way signal input and switching
 - RCA video or HDMI display output
 - readily connected to active subwoofer via RJ45 connector
- 4 x 2.75" Full Range Satellites:
 - Can easily be adjusted up or down, left or right
 - Comes with speaker cables
 - Pre-wire cabling to custom bracket - easy press connection of satellite
- 1 x Active Band-pass Subwoofer
- Built-in Active Crossover and Limiter Control
- Protection for short circuit, over current and temperature
- Switch Mode Power Supply

Description:

The CS-1 is a versatile and rugged product. It's compact system does not compromise the quality, functions or delivery of a full bodied sound.

Setting the CS-1 up out of the box is very simple. You can have the whole system up and running in no time at all.

The CS-1 includes a user-friendly Controller that can control the system by touchscreen, button selection or a combination of both. Programming is not required: simply load your media files onto the internal 8G SD card, select the function you want and you are up and running.

An external display device supporting up to 1080P (such as TV Panel or Projector) can easily be connected to increase the experience provided by the CS-1.

The system's versatility is further enhanced by the provision of additional audio input sources.

A single CAT5 cable connects the Controller to the subwoofer.

You can easily expand the system by connecting a second CS-1 speaker system via CAT5 cable.

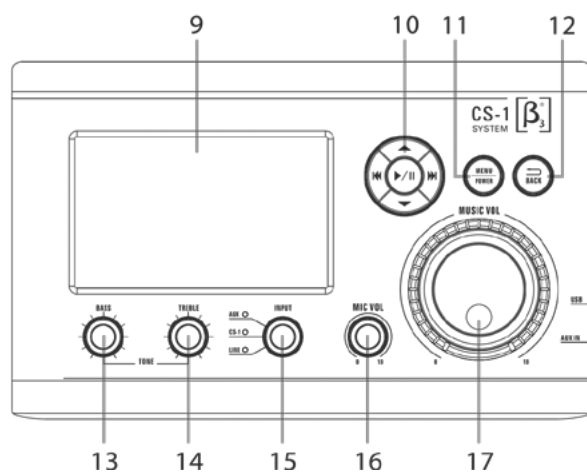
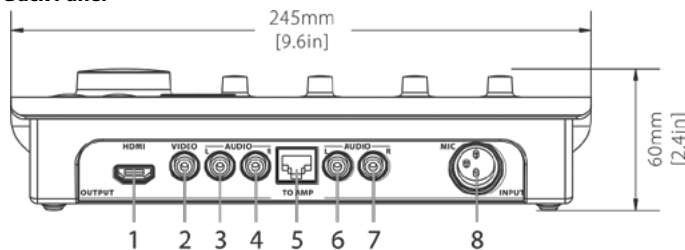
Application:

- Restaurants / Coffee Shops / Cafés
- Conference Rooms
- Board Rooms
- Retail Outlets
- Multi-Function Halls
- Meeting Rooms

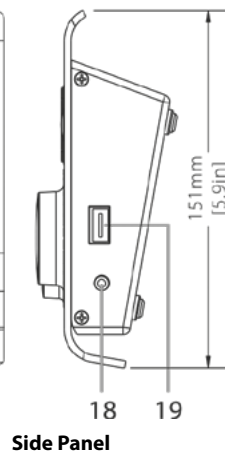
CONTROLLER

Controller Functions

Back Panel



Top Panel



Side Panel

1. HDMI output
2. VIDEO output
3. Left AUDIO output
4. Right AUDIO output
5. Port to connect Controller to Sub
6. Left AUDIO input
7. Right AUDIO input
8. Microphone input
9. Touchscreen
10. Navigation control: select, confirm, play and pause
11. MENU and POWER key
12. BACK key - return function
13. BASS gain
14. TREBLE gain
15. INPUT mode selection
- AUX:** input via 3.5mm (18)
- CS-1:** input from internal SD card and USB card via socket (19)
- LINE:** input via 2 x RCA sockets (6) & (7)
16. Microphone volume
17. Master volume
18. 3.5mm AUX input
19. USB port

Controller System Operation

Please refer to the Beta3 CS-1 Operation Manual for guidance on how to operate the Controller.



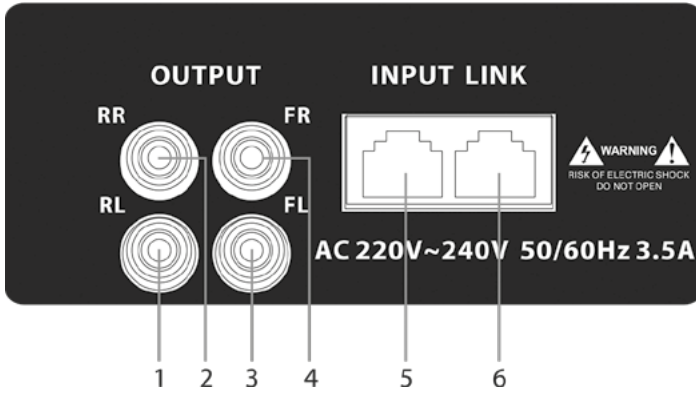
CS-1

Active Full Range Integrated Commercial Audiovisual System

Beta Three

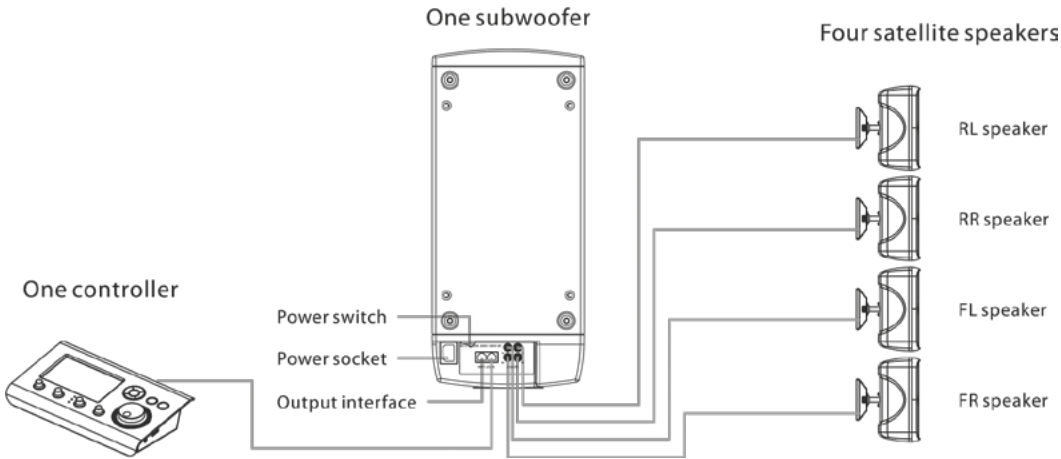
AMPLIFIER MODULE

Input Panel

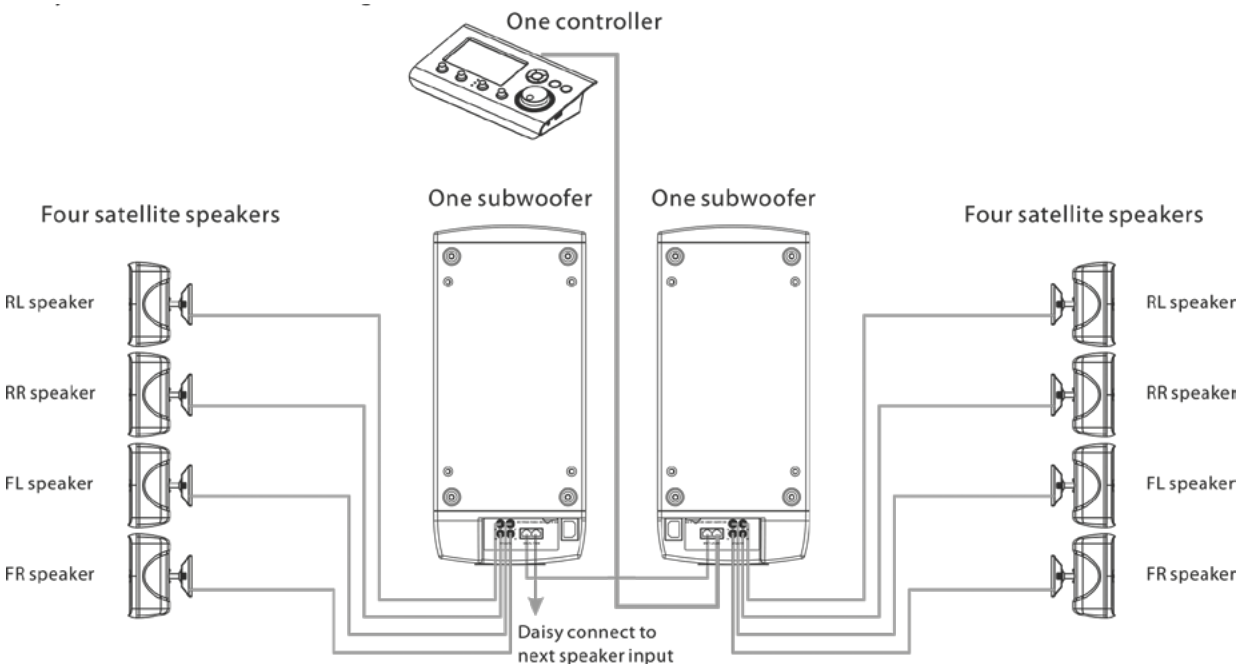


1. Rear left satellite speaker output
2. Rear right satellite speaker output
3. Front left satellite speaker output
4. Front right satellite speaker output
5. Input RJ45 to connect Controller
6. Output RJ45 to connect to second CS-1

Single CS-1 System Connection Diagram



Multi-System CS-1 Connection Diagram

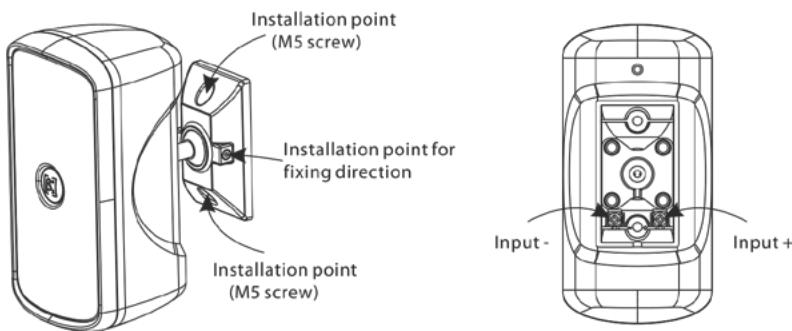


SATELLITE SPEAKER SPECIFICATION

Specification Data

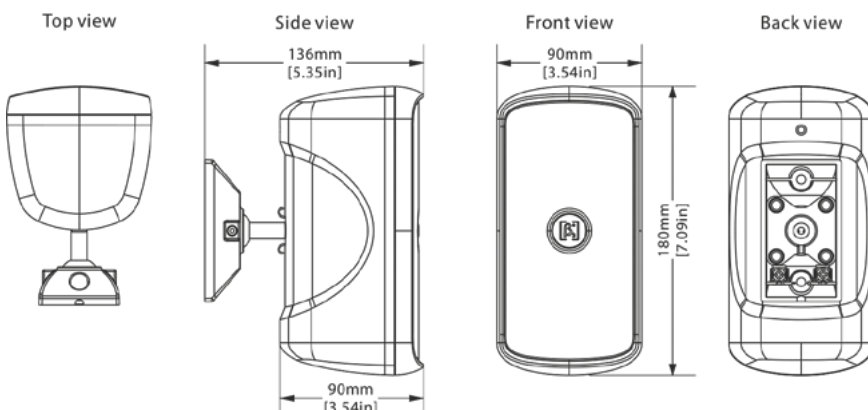
System:	Passive plastic speaker enclosure
System Component:	2 x 2.75" Full range loudspeaker
Frequency Response (-3dB) ¹ :	220Hz-15kHz
Frequency Response (-10dB):	200Hz-18kHz
Sensitivity (1W@1m) ² :	90dB
Max SPL (1m) ³ :	105dB/111dB (Peak)
Power:	30W (RMS) 60W (Music) 120W (Peak)
Rated Impedance:	8Ω
Cabinet:	Plastic enclosure
Mounting Accessories:	Specified wall bracket
Connector:	Screw terminal on bracket
Cabinet Dimension (W x D x H):	90mm x 136mm x 180mm (3.5" x 5.4" x 7.1")
Net Weight:	1kg (2.2lbs)

Installation Guide



To connect the satellites to the subwoofer, please use the speaker cables provided. One end of the speaker cable has already been terminated with an RCA plug; this is inserted into the appropriate socket on the bottom of the subwoofer. The bare ends of the speaker cable can be secured to the terminal points on the back of the speaker bracket (illustrated as 'Input -' and 'Input +'). Please ensure you maintain the correct polarity for all of your terminations.

2D Illustrations



Before attaching the speaker boxes to the mounts, please ensure that the speaker bracket is securely fastened to the wall/ceiling surface.

The universal ball socket of the speaker bracket allows freedom to ensure speaker placement is maximised.

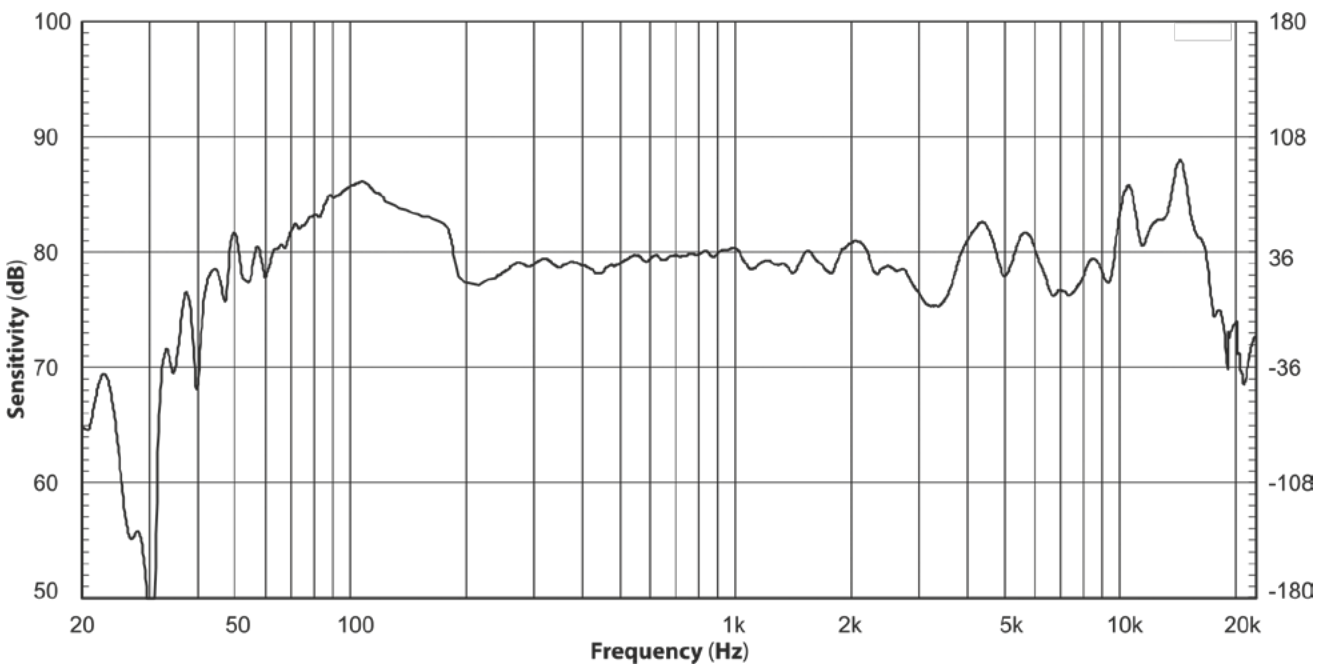
To attach the speaker to the bracket simply press onto the pole mount until you hear a 'click' securing the two together.

SUBWOOFER TECHNICAL SPECIFICATION

Specification Data

Frequency Response (-3dB):	50Hz-220Hz
Max SPL (1m):	106dB/112dB (Peak)
System Configuration:	1 x 6" Woofer
Connector:	RJ45
Input Type:	RJ45 cable
Input Impedance (line):	10Kohm unbalanced input
Wire Connection:	Pin 1: ground; pin2: signal +; pin3: signal - controller for mic
Heat Radiation:	Fan air-cooled
Power Cable:	IEC
Voltage Range:	AC220V-240V 50Hz/60Hz
Cabinet:	MDF
Painting:	Cabinet coated by polyurethane paint
Cabinet dimension (W x D x H):	216mm x 480mm x 400mm (8.5" x 18.9" x 15.7")
Net Weight:	15.5kg (34.1lbs)

Frequency Response Curve

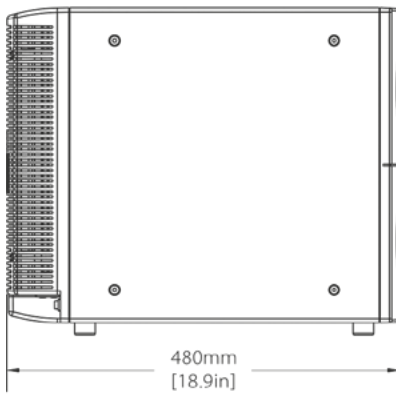


2D Illustrations

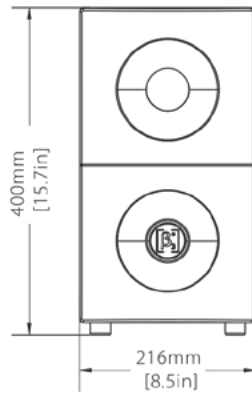
Top view



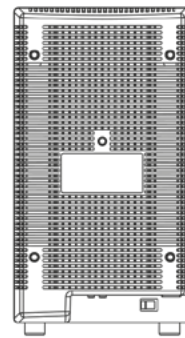
Side view



Front view



Back view



Bottom view



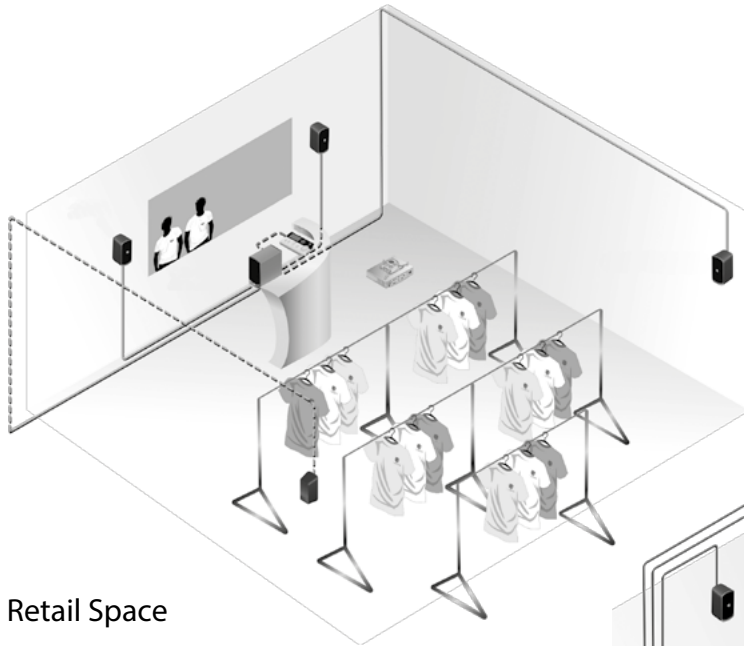


CS-1

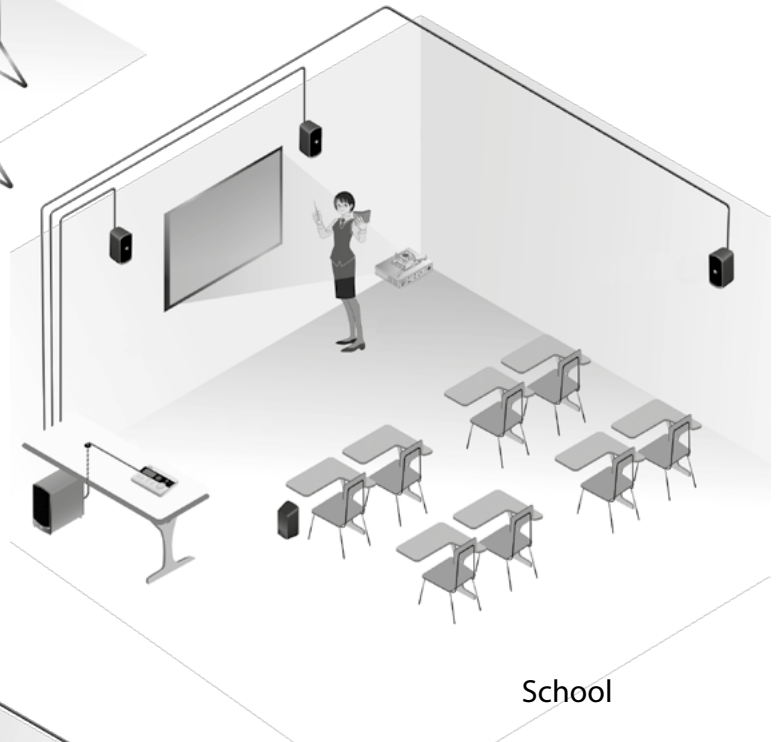
Active Full Range Integrated Commercial Audiovisual System

Beta Three

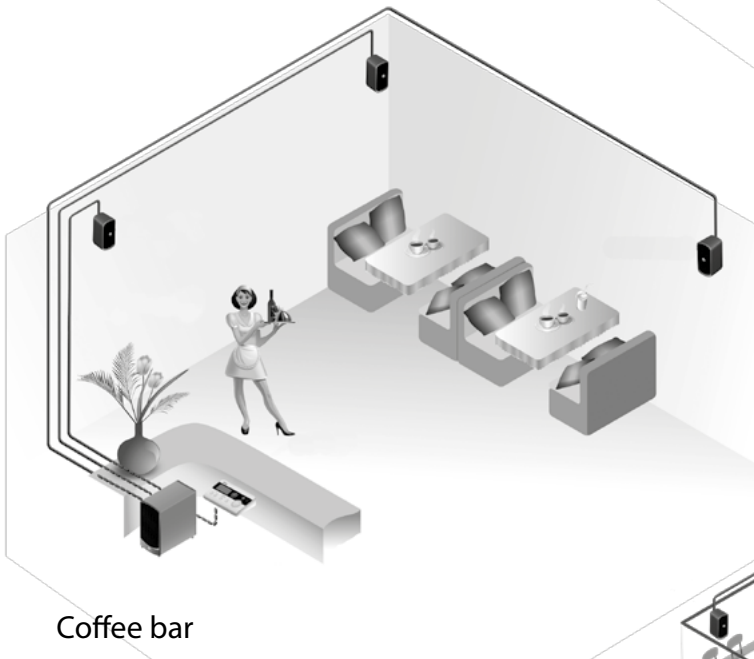
INSTALLATION EXAMPLES



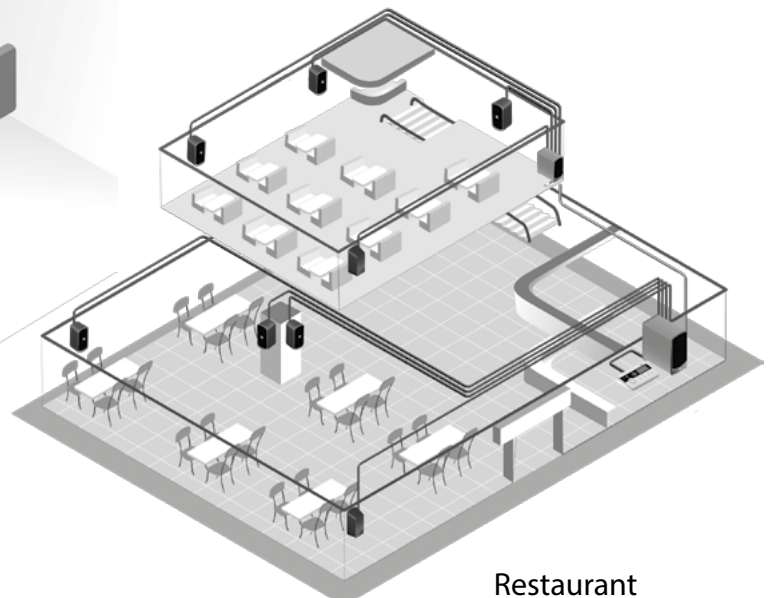
Retail Space



School



Coffee bar



Restaurant

NOTES:



Beta Three



UM-CS-1-20150901 verA