

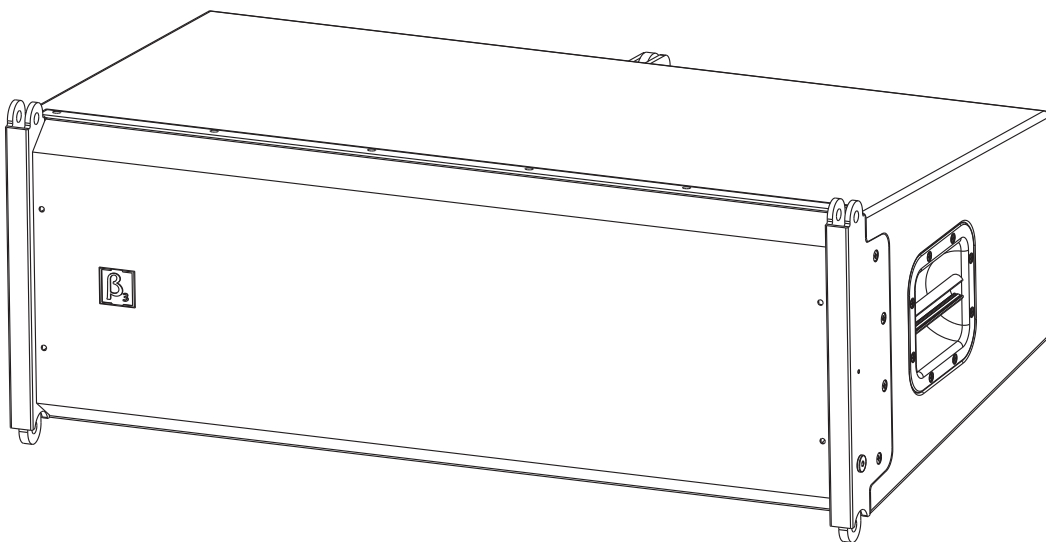


Beta Three

TLA-121F

Two way dual 12" Weatherproof
Line Array Speaker System

User Manual





UM-TLA-121F-20170518 ver B



SAFETY INSTRUCTIONS

PLEASE READ THIS MANUAL FIRST

Thank you for a buying β_3 product. Read this manual first as it will help you operate the system properly. Please keep this manual for future reference.

⚠ WARNING: *This product must be installed by professionals. When using hanging brackets or rigging other than those supplied with the product, please ensure they comply with the local safety codes.*

	CAUTION RISK OF ELECTRICAL SHOCK DO NOT OPEN	
CAUTION: TO REDUCE THE RISK OF ELECTRIC SHOCK, DO NOT REMOVE COVER (OR BACK). NO USER-SERVICABLE PARTS INSIDE. REFER SERVICING TO QUALIFIED PERSONNEL.		

	AVIS RISQUE DE CHOC ÉLECTRIQUE NE PAS OUVRIR	
ATTENTION : POUR RÉDUIRE LE RISQUE DE DÉCHARGE ÉLECTRIQUE, NE RETIREZ PAS LE COUVERCLE (OU L'ARRIÈRE). IL NE SE TROUVE À L'INTÉRIEUR AUCUNE PIÈCE POUVANT ÊTRE RÉPARÉE PAR L'USAGER. S'ADRESSER À UN RÉPARATEUR COMPÉTENT.		

 **The exclamation point within an equilateral triangle is intended to alert you to the presence of important operating and servicing instructions.**

⚠ ATTENTION: *Don't refit the system or spare parts without being authorized as this will void the warranty.*

⚠ WARNING: *Don't place naked flames (such as candles) close to the equipment.*

1. Read the instruction manual first before using this product.
2. Please keep this manual for future reference
3. Pay attention to all warnings.
4. Obey all operating instructions.
5. Do not expose this product to rain or moisture.
6. Clean this equipment with a dry cloth.
7. Do not block any ventilation openings. Install according to manufacturer's instructions .
8. Do not install this product near any heat source, such as a, heater, burner, or any other equipment with heat radiation .
9. Only use spare parts supplied by the manufacturer.
10. Pay attention to the safety symbol on the outside of the cover.

CONTENTS

PRODUCT INTRODUCTION 3

 Main Features 3

 Product Description 3

 Application 3

CONNECTION 4

 Terminal Plate 4

 Connection 4

 System Connection Demonstration 4

INSTALLATION 5

 Installation Accessories 5

 Installation Reference 5

TECHNICAL SPECIFICATION 6

 Specification 6


 Frequency Response 7

 Impedance Curve 8

 Harmonic Distortion 9

 Waterfall 10

 Dimension Drawing 11

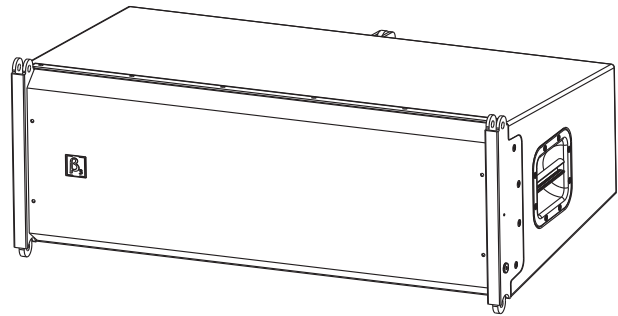
 Product information may be updated without notification, please visit www.elderaudio.com for latest update.

TLA-121F

Two way dual 12" Weatherproof Line Array Speaker System

Main Features

- Dual 3" Neo compression driver.
- Dual 12" Neo woofer.
- Long term continuous power: LF 500W, HF 100W.
- Dispersion: Horizontal 110°, Vertical 0°x30°.
- Frequency response: LF 90Hz-4kHz (-3dB), HF 900Hz-15kHz(-3dB).
- Sensitivity: LF 102dB, HF 110dB.
- Max SPL: LF 126dB/132dB(PEAK), HF 130dB/136dB(PEAK).
- Overload protection is available.
- Appropriate hanging frame with shackle for installation.



Product Description

T-Line Weatherproof Line Array is composed by a dual 12" full range element TLA-121F and a suspend-able dual 15" subwoofer TLB-121F. Compact construction, light weight and quick installation makes the system most suitable for outdoor touring performance applications.

T-Line Weatherproof Line Array Speakers were designed in accordance with IP54 Standard, mainly be applicable for outdoor touring performance.

The adjacent speakers can achieve the seamless coupling and form the consistent cylindrical wave. The adjustable angle between two adjacent speakers is 0° -30°.

Magnetic circuit of LF is optimized through the finite element analysis to achieve the ultra-low distortion and maximum clarity under the high SPL. Overheated protection for drivers, perfect and reliable circuit protection.

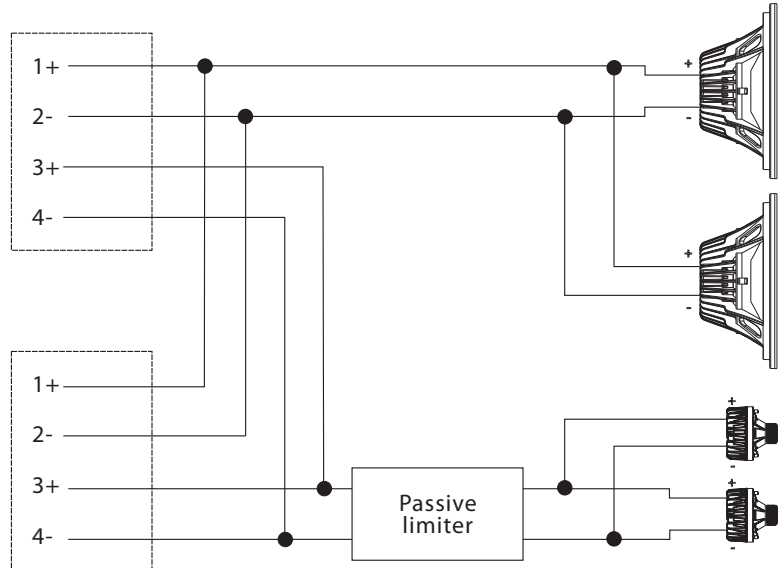
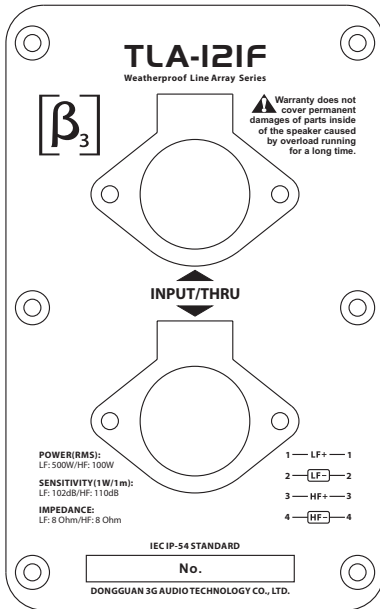
TLA-121F adopts multifunctional structure design and Russian birch, weatherproof polyurethane painting provides super strong weather resistance.

Application

- Religion Place
- Auditorium
- Multi-function hall
- Theater
- All kinds of living performance
- Sports events
- Mobile performance

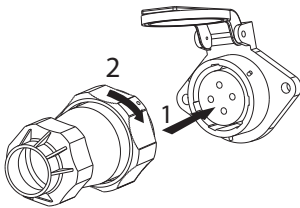
TLA-121F has two Speakon NL4 socket and amplifier connection. Two parallel connection socket is convenient to connect with another speaker.

Terminal Plate

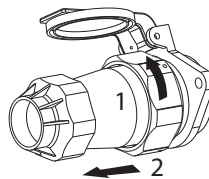


NL4 Connection

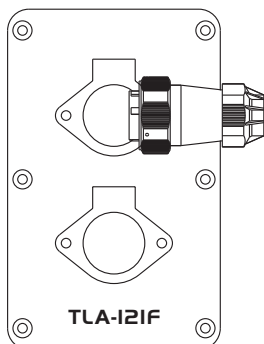
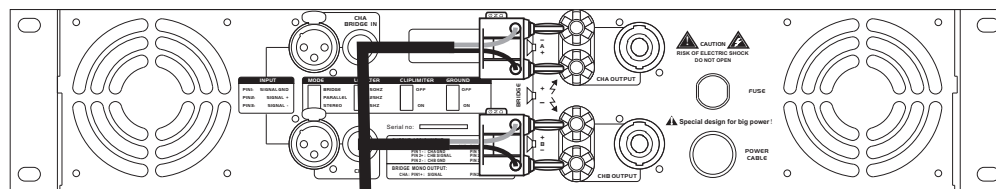
1: Connection



2: Disconnection



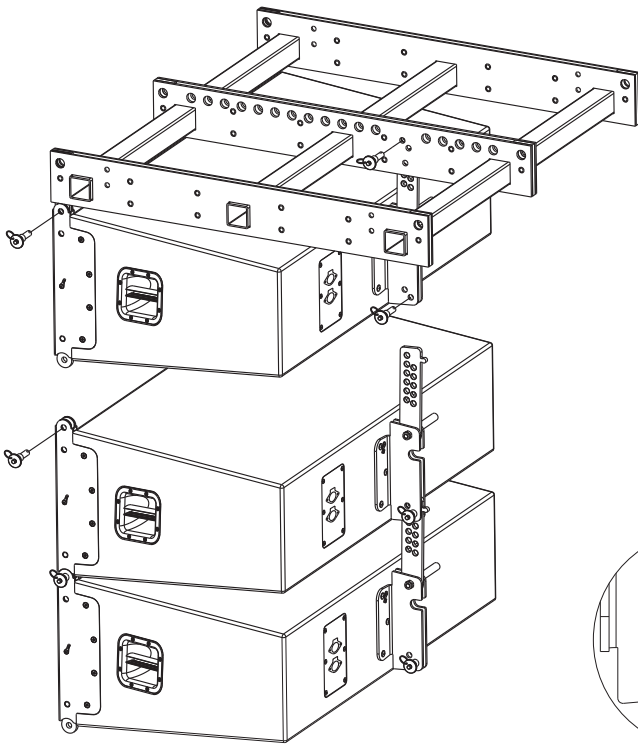
System Connection Demonstration



- ⚠ **Note:** The output impedance of speaker and amplifier should be matched.
- ⚠ **Note:** The polar of speaker and amplifier should be correctly connected.

Installation Reference

1: Hanging

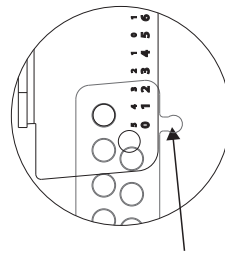


Installation Accessories

T-Line Weatherproof Line Array is supplied with flying frame TLF-121, which has 4 x 4" wheels optional when the line array system stacked.

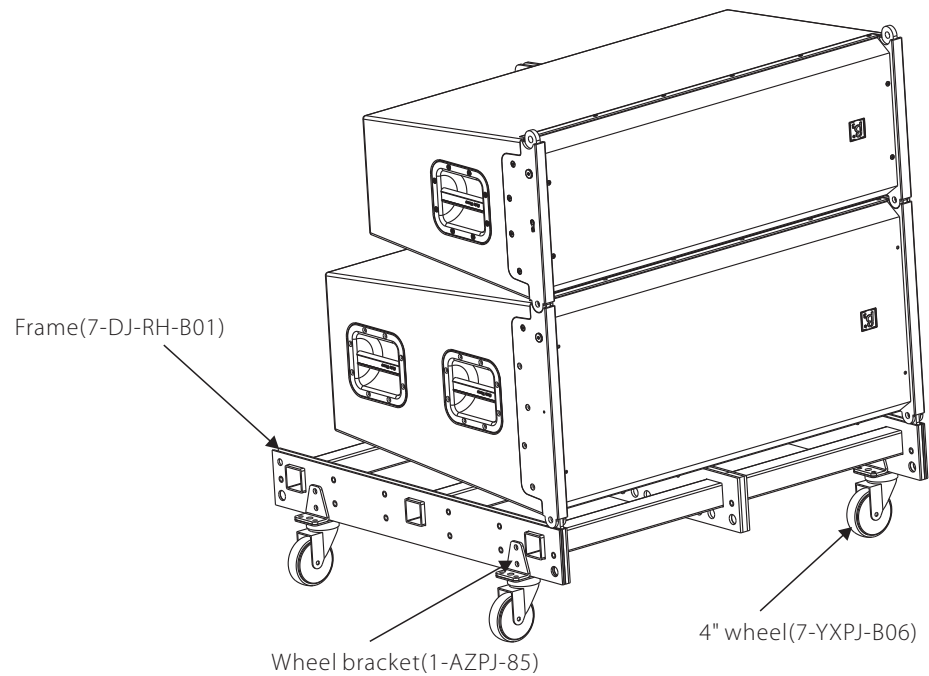
TLA-121F frame is welding steel frame, which maximally hangs 16pcs TLA-121F and 4pcs TLB-121F.

⚠ Warning: Make sure the mounting accessories safety factor not less than 5:1 or meet the local standard during installation .



The outstanding point of real hanging plate indicates the present angle.

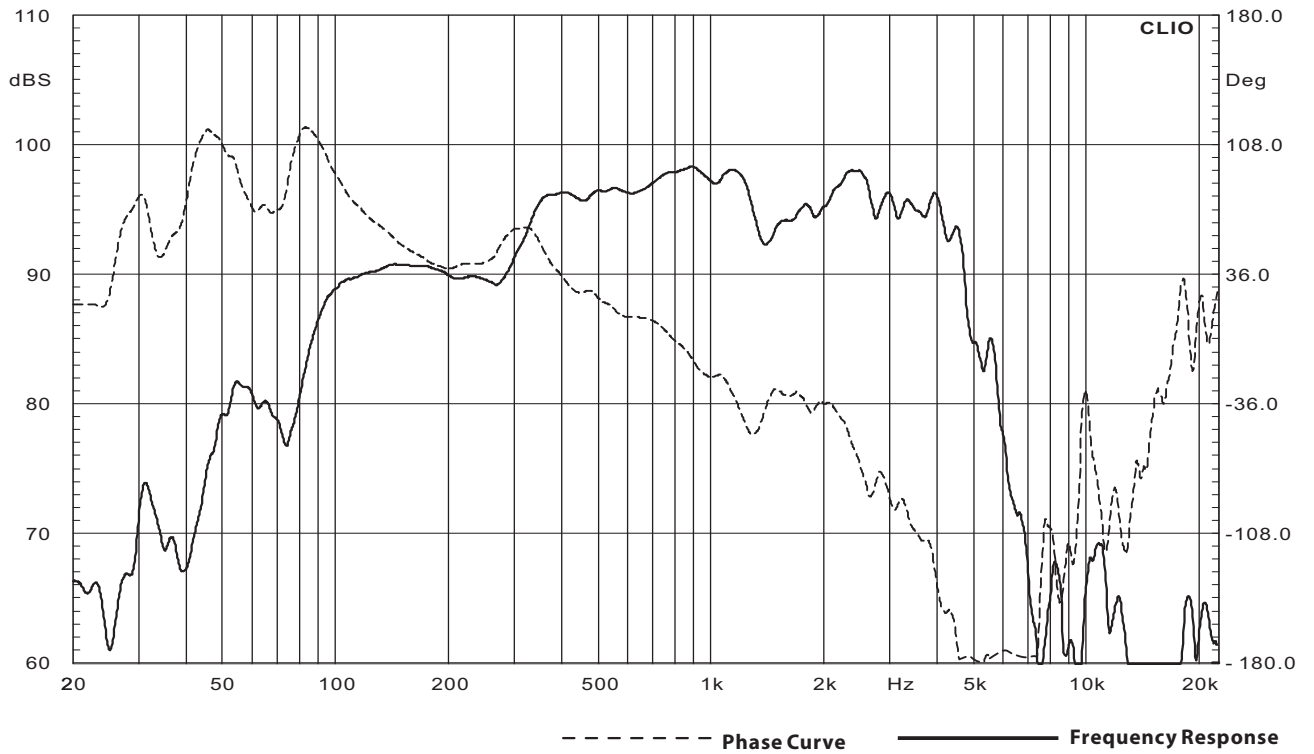
2: Stacked with wheels



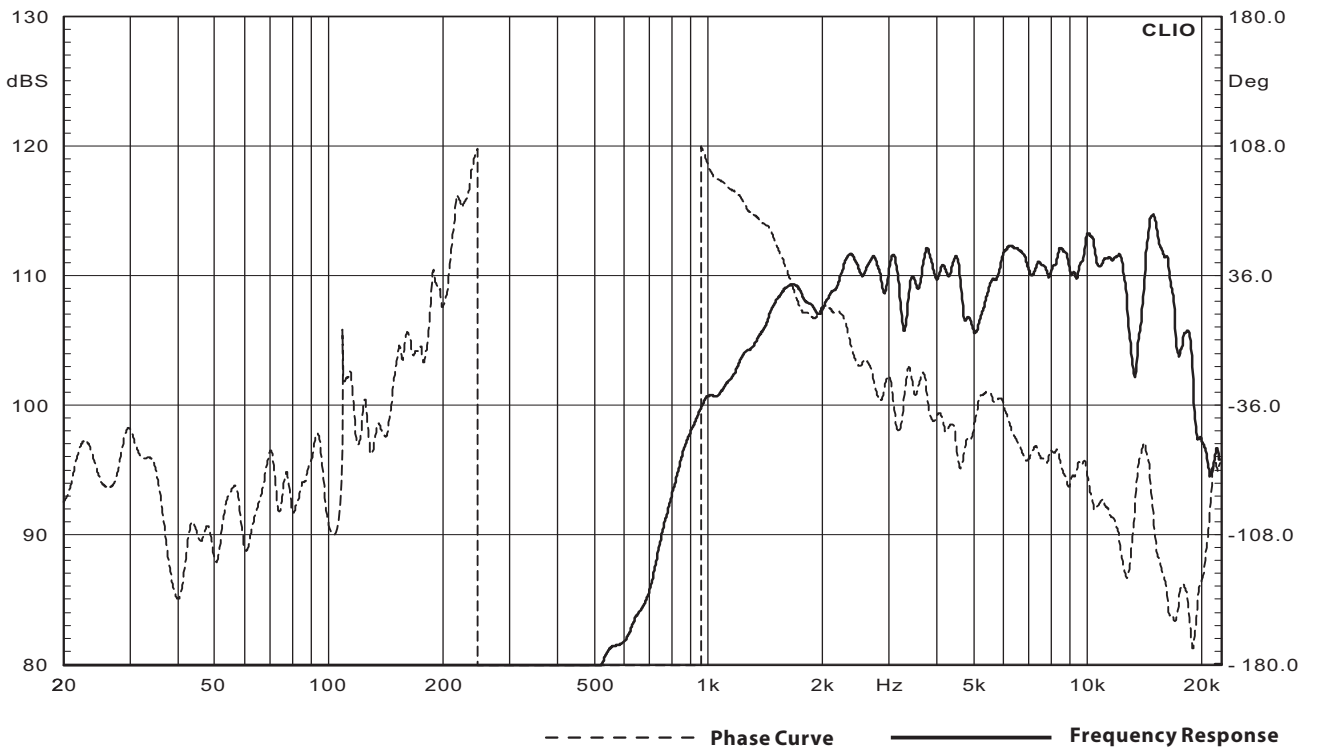
Specification

System type:	Two way dual 12" Weatherproof Line Array Speaker System
HF driver:	Dual 3" Neo compression driver
LF driver:	Dual 12" woofer
Frequency response (-3dB):	LF:50Hz-4kHz HF:900Hz-16kHz
Sensitivity (1W@1m):	LF:102dB HF:110dB
Max SPL(1m):	LF:126dB/132dB(PEAK) HF:130dB/136dB(PEAK)
Power:	LF: 500W HF: 100W (RMS) LF: 1000W HF: 200W (MUSIC) LF: 2000W HF: 400W (PACK)
Dispersion (H×V) :	Horizontal: 110° Vertical: 0° × 30°
Rated impedance:	LF:8 Ohms HF:8 Ohms
DC impedance:	LF:6 Ohms HF:6.4 Ohms
Recommended crossover point:	1.6kHz-2.5kHz
Cabinet:	Russian birch
Installation:	Appropriate frame with 3/4"shackle
Carry:	2 wooden handle
Finish:	weather resistant polyurethane finish, black powder coating for grille.
Connector:	NL4 × 2 @ LF:1+ 2- HF: 3+ 4-
Cabinet dimension(W×H×D):	965 × 630 × 380mm(38.0 × 24.8 × 15.0in)
Package dimension(W×H×D):	700 × 440 × 1080mm(27.5 × 17.4 × 42.5in)
Net Weight:	41.0kg(90.2lb)
Gross weight:	46.5kg(102.3 lb)
Optional accessory:	Frame(7-DJ-RH-B01), Wheel bracket(1-AZPJ-85), 4" wheel(7-YXPJ-B06)

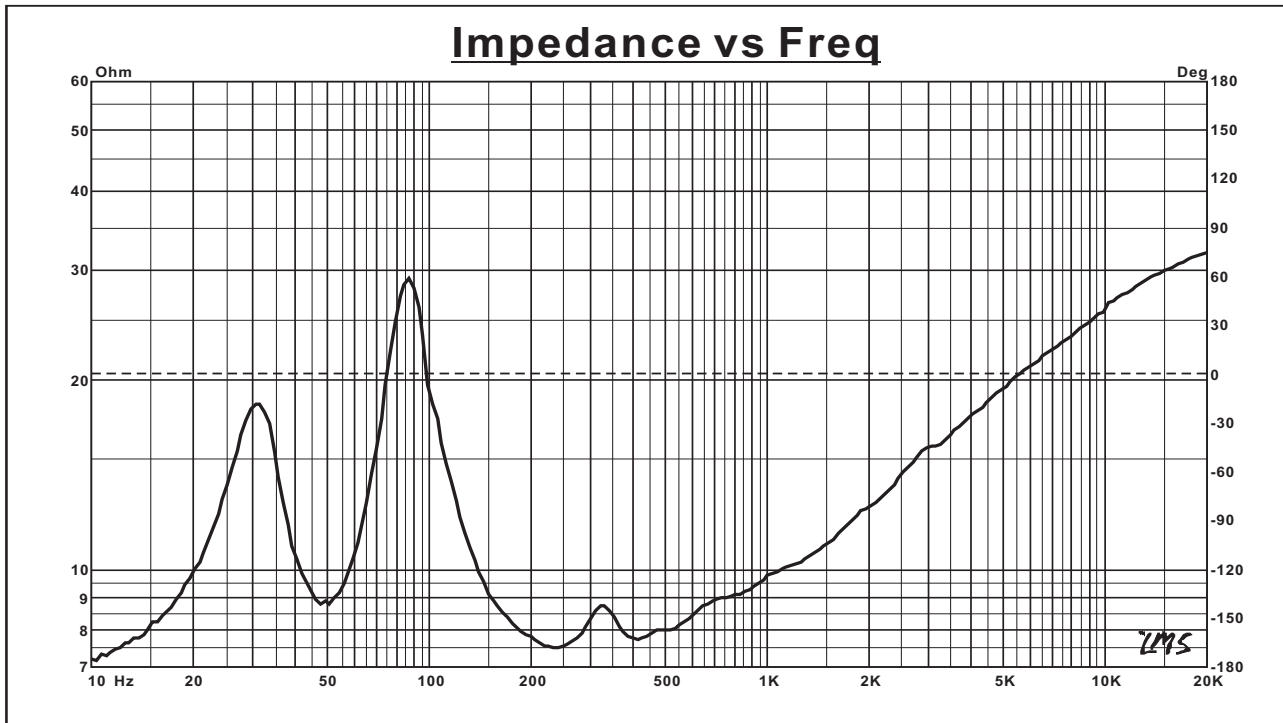
Frequency Response/phase Curve-LF



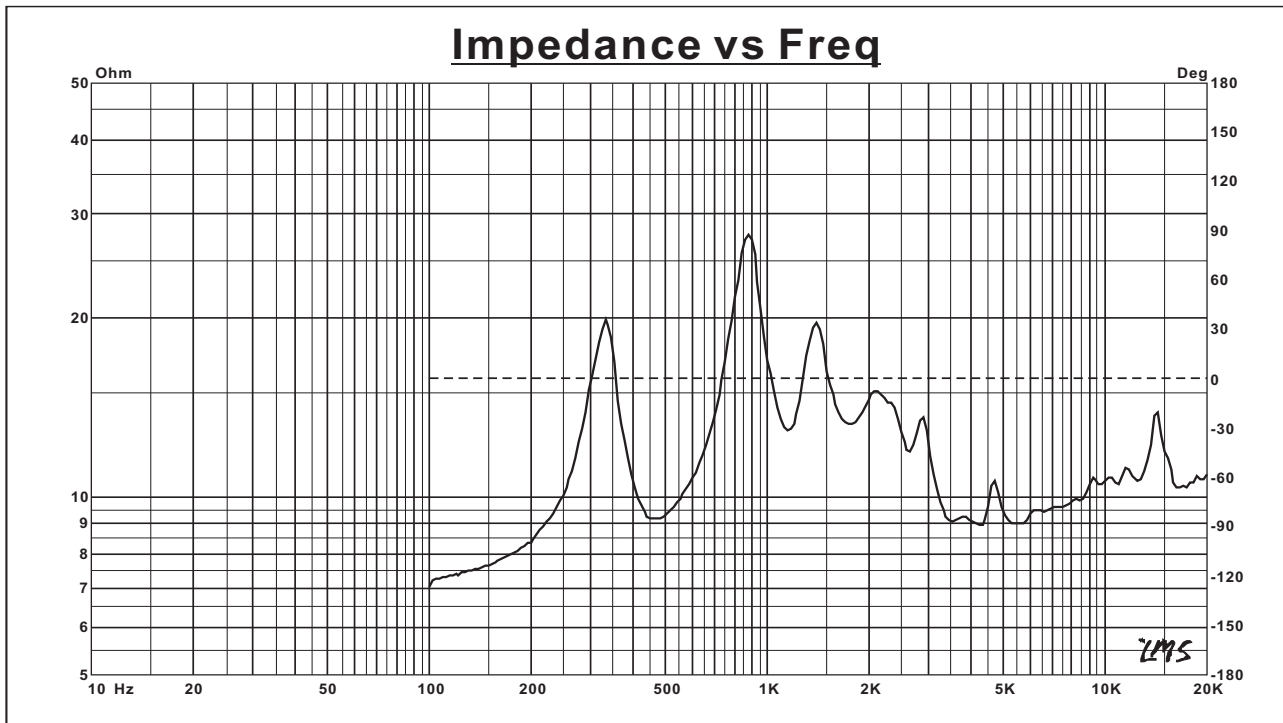
Frequency Response/phase Curve-HF



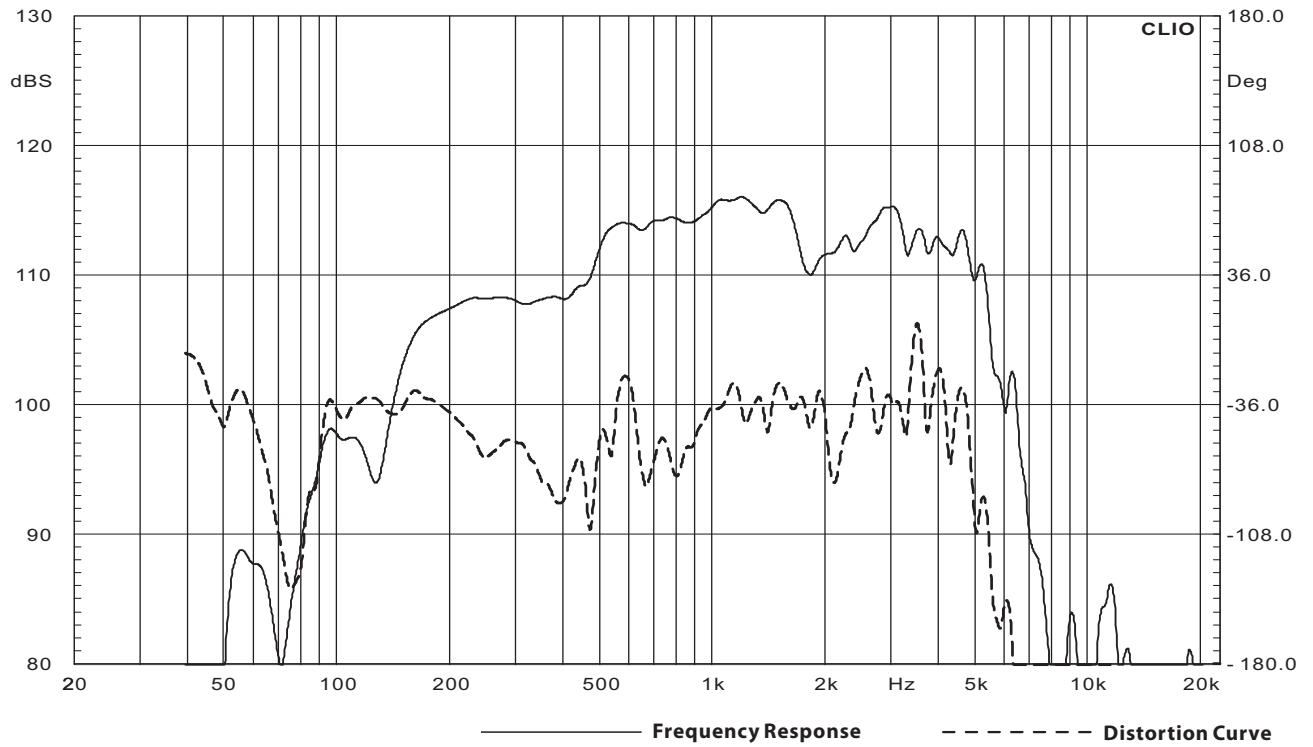
Impedance Curve-LF



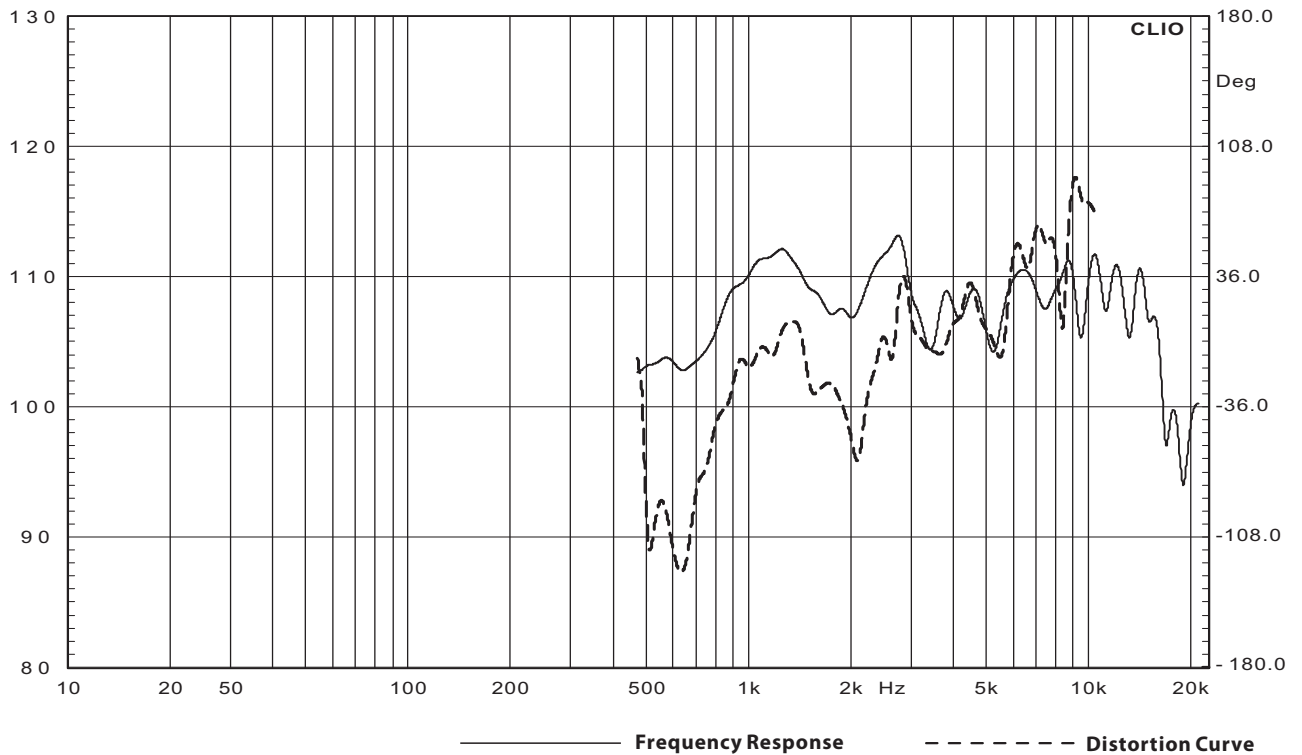
Impedance Curve-HF



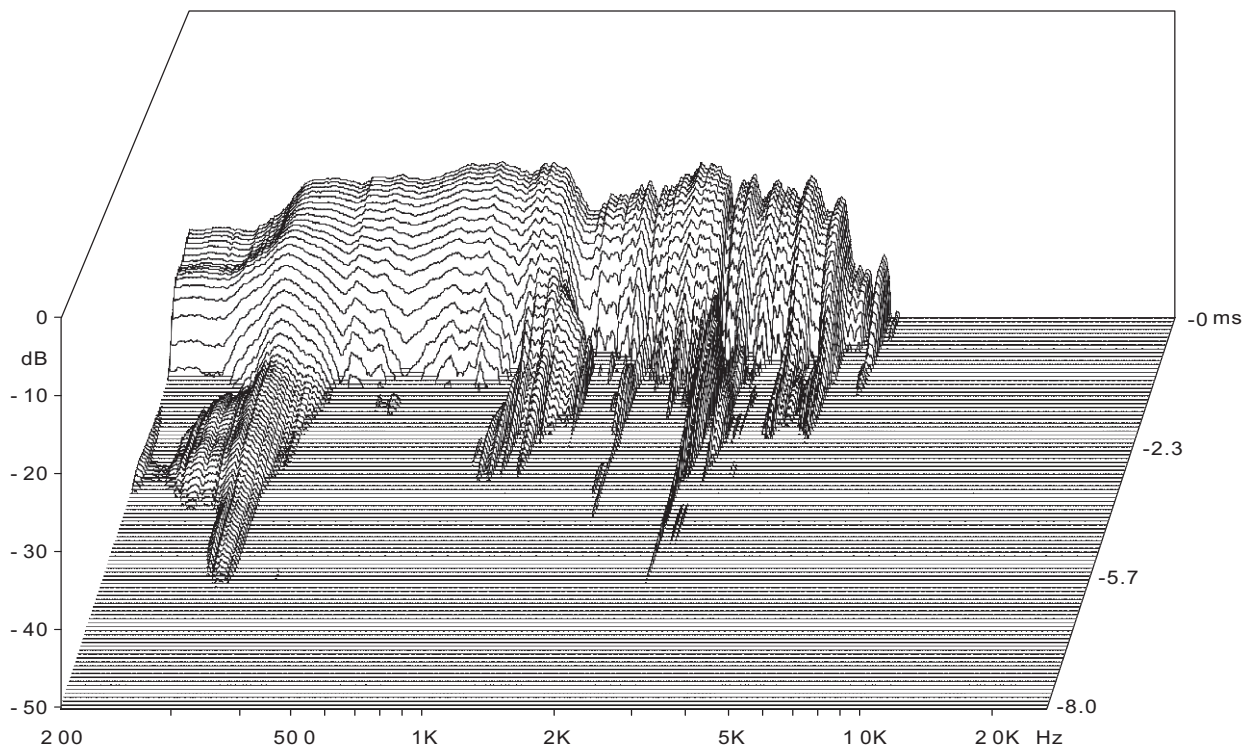
Harmonic Distortion-LF



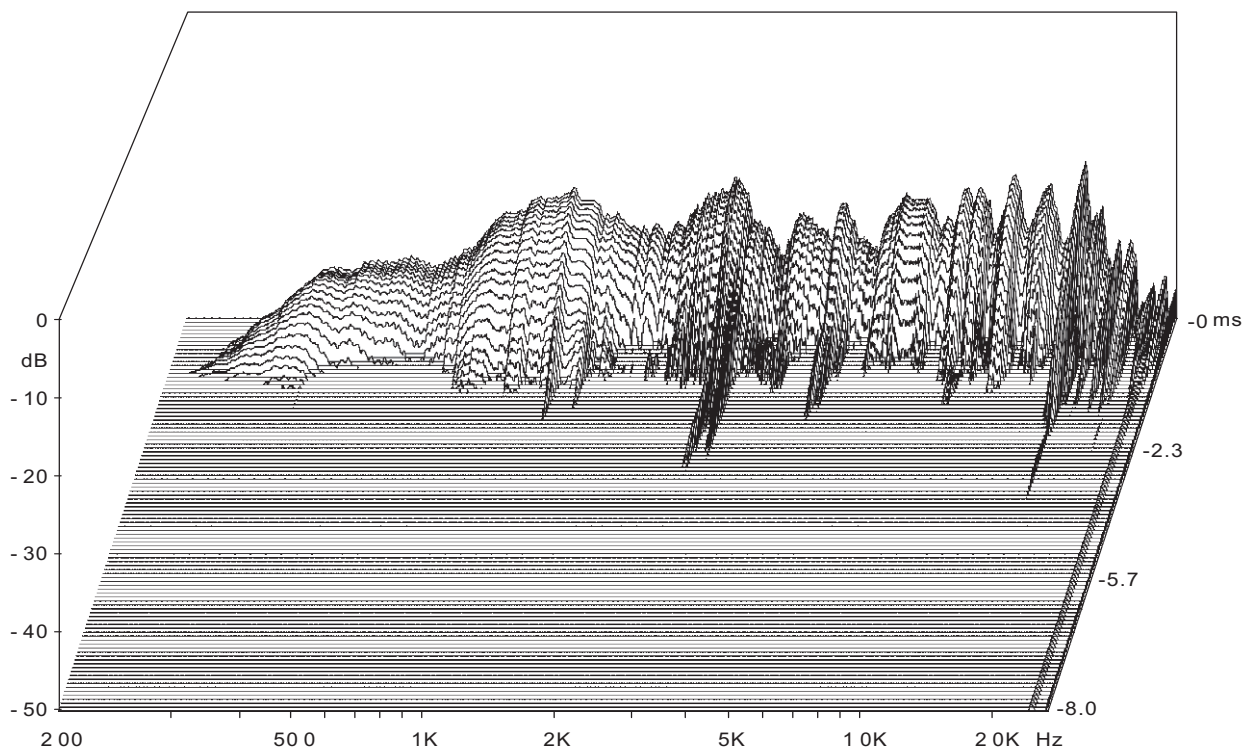
Harmonic Distortion-HF



Waterfall-LF

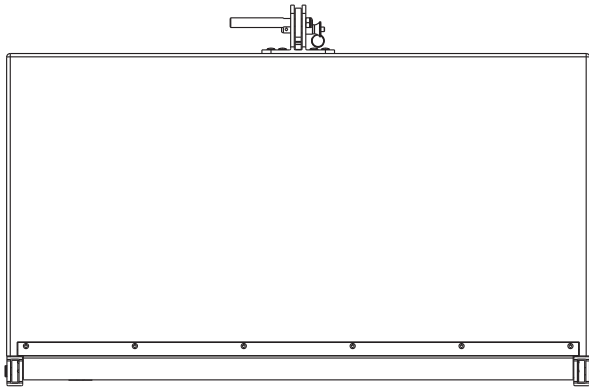


Waterfall-HF

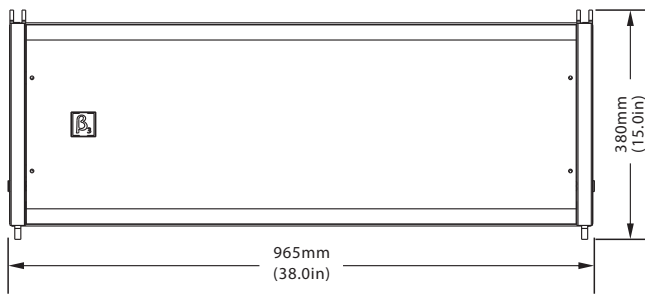


Dimension Drawing

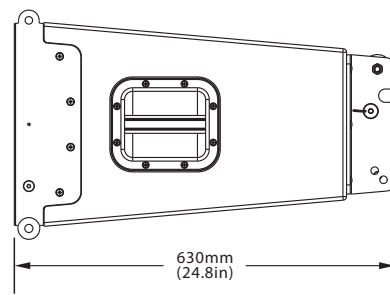
Top view



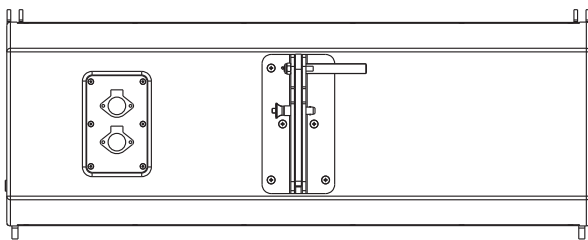
Front view



Side view



Back view



Notes:



Beta Three