



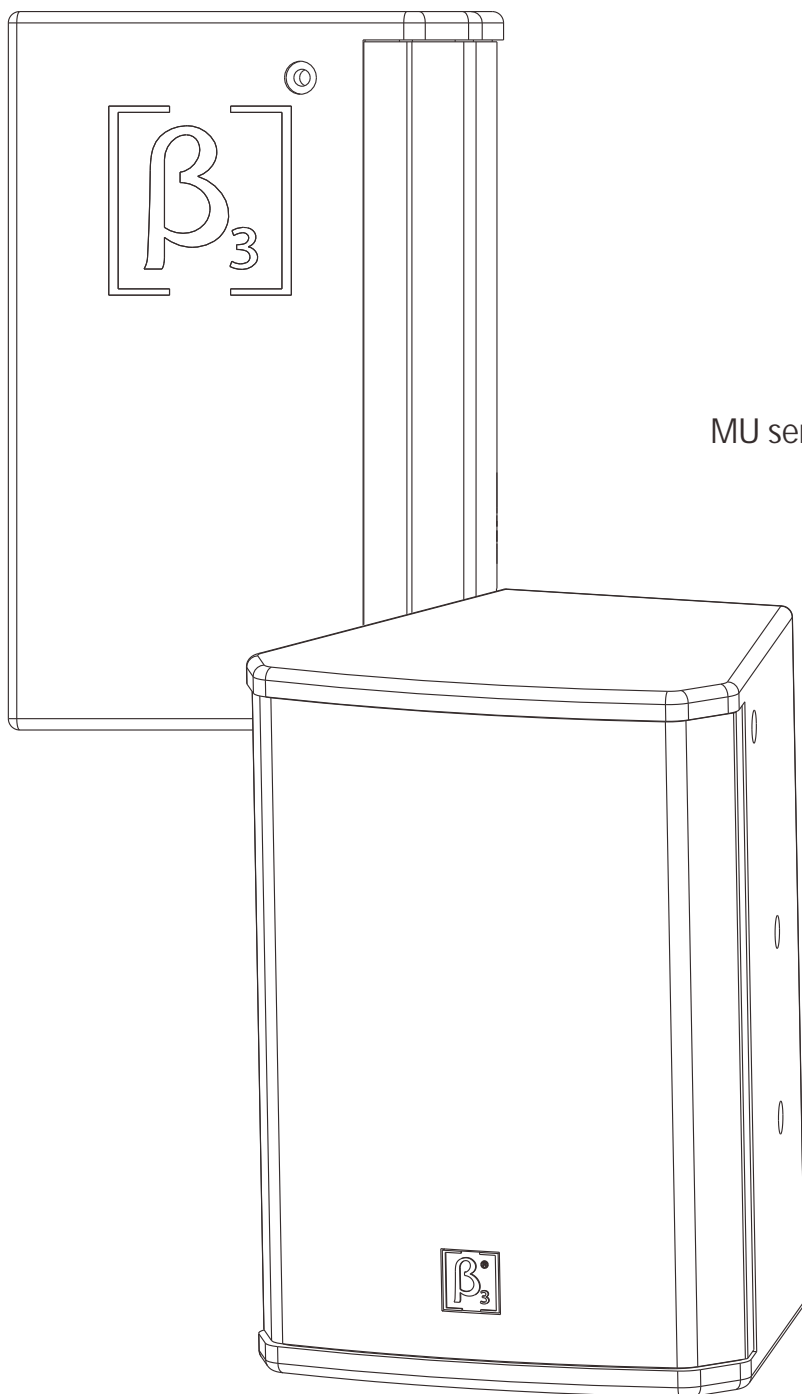
Beta Three

MU8

Two way full range passive speaker

MU series professional loudspeaker system

User Manual





UM- MU8- 20091107 ver B



SAFETY INSTRUCTIONS

PLEASE READ THIS MANUAL FIRST

Thank you for a buying β_3 product. Read this manual first as it will help you operate the system properly. Please keep this manual for future reference.

⚠ WARNING: *This product must be installed by professionals. When using hanging brackets or rigging other than those supplied with the product, please ensure they comply with the local safety codes.*

	CAUTION RISK OF ELECTRICAL SHOCK DO NOT OPEN	
CAUTION: TO REDUCE THE RISK OF ELECTRIC SHOCK, DO NOT REMOVE COVER (OR BACK). NO USER-SERVICABLE PARTS INSIDE. REFER SERVICING TO QUALIFIED PERSONNEL.		

	AVIS RISQUE DE CHOC ÉLECTRIQUE NE PAS OUVRIR	
ATTENTION : POUR RÉDUIRE LE RISQUE DE DÉCHARGE ÉLECTRIQUE, NE RETIREZ PAS LE COUVERCLE (OU L'ARRIÈRE). IL NE SE TROUVE À L'INTÉRIEUR AUCUNE PIÈCE POUVANT ÊTRE RÉPARÉE PAR L'USAGER. S'ADRESSER À UN RÉPARATEUR COMPÉTENT.		

 *The exclamation point within an equilateral triangle is intended to alert you to the presence of important operating and servicing instructions.*

⚠ ATTENTION: *Don't refit the system or spare parts without being authorized as this will void the warranty.*


⚠ WARNING: *Don't place naked flames (such as candles) close to the equipment.*

1. Read the instruction manual first before using this product.
2. Please keep this manual for future reference
3. Pay attention to all warnings.
4. Obey all operating instructions.
5. Do not expose this product to rain or moisture.
6. Clean this equipment with a dry cloth.
7. Do not block any ventilation openings. Install according to manufacturer's instructions .
8. Do not install this product near any heat source, such as a, heater, burner, or any other equipment with heat radiation .
9. Only use spare parts supplied by the manufacturer.
10. Pay attention to the safety symbol on the outside of the cover.



CONTENT

INTRODUCTION	3
Features	3
Description	3
Applications	3
CONNECTION	4
Terminal Plate	4
NL4 Connection	4
System Connection Reference	4
Loudspeaker Connection	5
INSTALLATION	6
Installation Accessories	6
Installation Reference	6
TECHNICAL SPECIFICATION	7
Technical Sheet	7
Frequency Response And Impedance Curve	7
2D Dimension	8

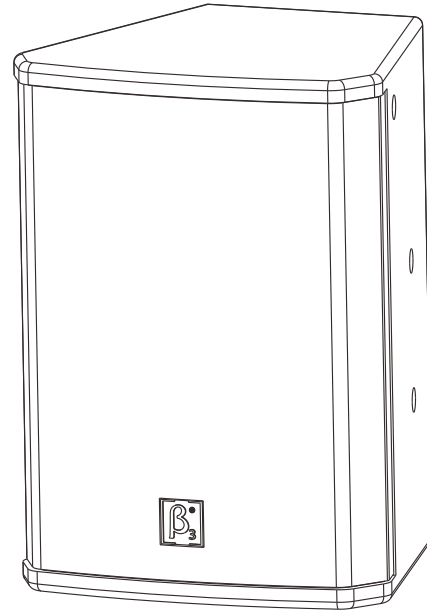
 Product information subjects to be updated without notification, please visit www.elderaudio.com for the latest update.

MU8

Two way full range passive speaker

Features

- Two way full range phase inverted speaker, which adopt Coaxial transducer with 8" LF part and 1.4" HF part
- Single Neodymium magnet design on the coaxial transducer
- Dispersion is 90°X90°.
- Sensitivity is 92dB, Max is SPL 113dB.
- RMS power is 140W, is peak power 560W.
- Support flange, three mounting points.
- Powder coated grille can be used outdoors for 5 years. The foam backside of the grille can prevent the rain.
- Advanced paint materials and advanced painting technology make the surface very rigid.
- The sound is very clean, powerful and stretchy.



Description

3[®] MU8 is a very compact design active speaker integrated the coaxial transducer. It consists of one 8" Neodymium woofer with 34MM voice coil and one 1.4" compression driver. The rated power is 140W. Symmetrical magnet circuit design reduce the impar HD effectively and enhance the LF sound quality.

Cabinet is made of 15mm birch plywood with advanced environmental protection.

Polyurethane-based painting which is very rigid. The cabinet strength reach to 4500N.

Q235 grille is coated by powder to provide strong ultra-Weatherability, can be used outdoors for 5 years. The backside foam of grille can prevent the rain.

MU8 adopts the built-in crossover and single channel amplifier module.

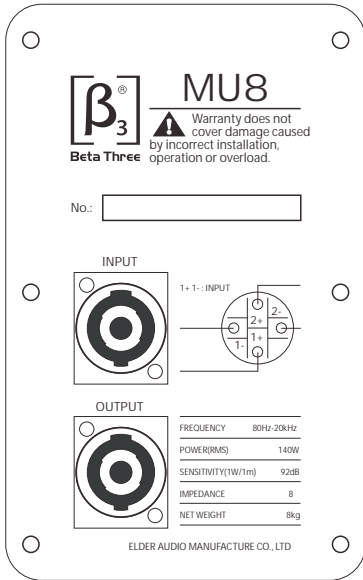
MU8 is mainly designed for conference room, multifunctional hall, auditorium, church, living performance. It can be used separately, or can be used with MU12B together.

Applications

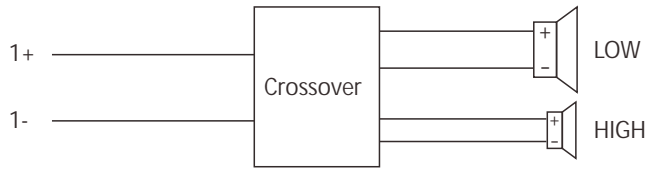
- multifunctional hall
- small hall
- Church
- conference room
- background music

Two NL4 connectors are available for amplifier connections. Paralleled connector is very convenient for another speaker connection.

Terminal Plate

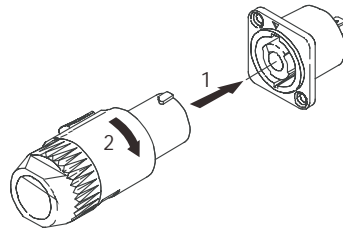


1+ 1- INPUT

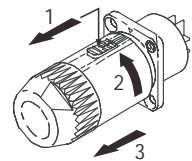


NL4 Connection

1. Connect

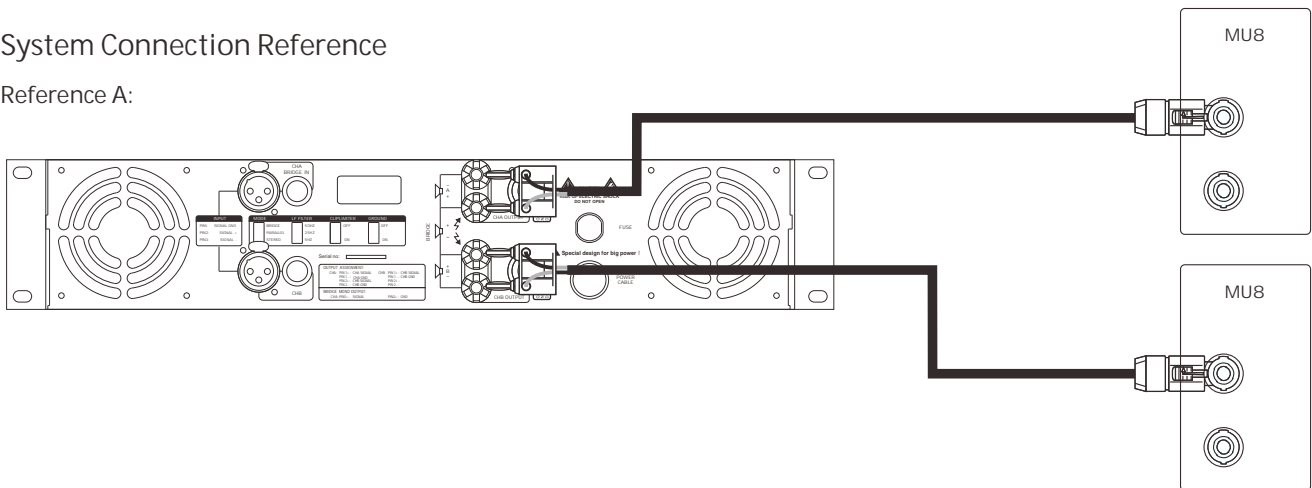


2. Disconnect

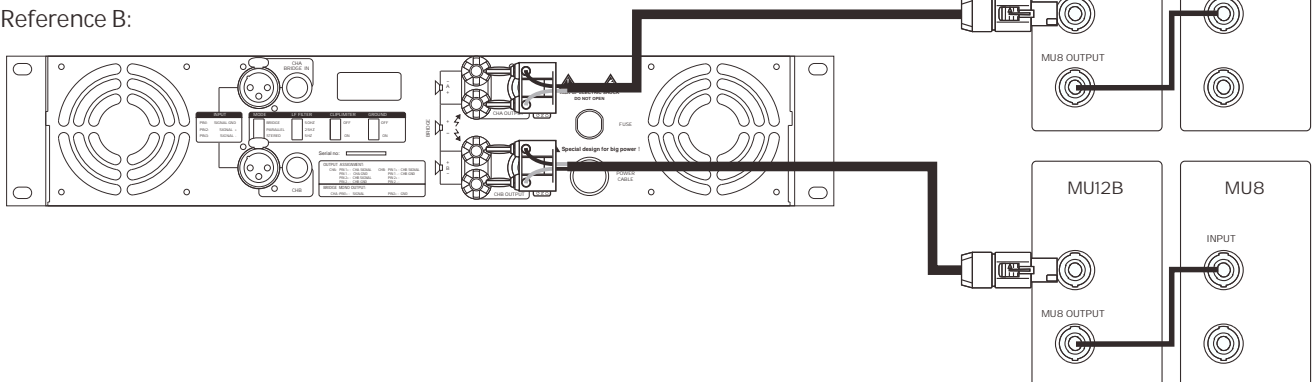


System Connection Reference

Reference A:



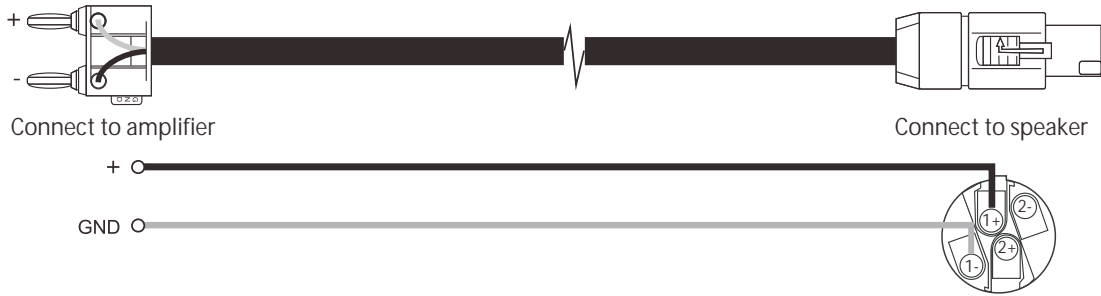
Reference B:



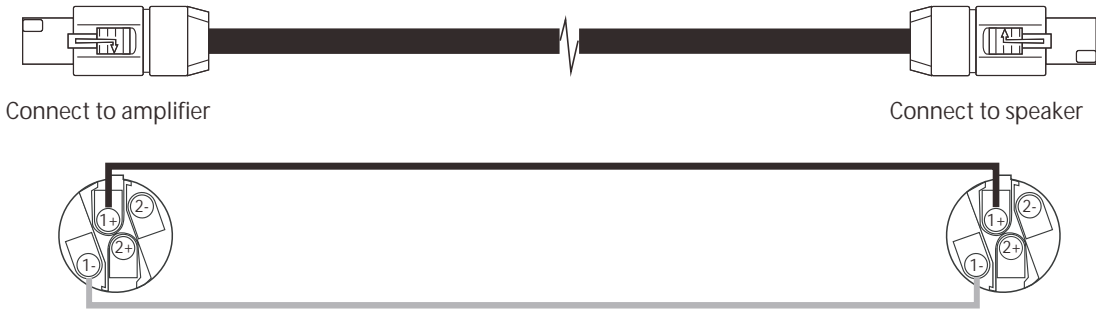
- Attention: The impedance of connected speaker must match the impedance of amplifier output.
- Attention: Make sure the polarity of speaker and amplifier correctly.

Speaker Wiring

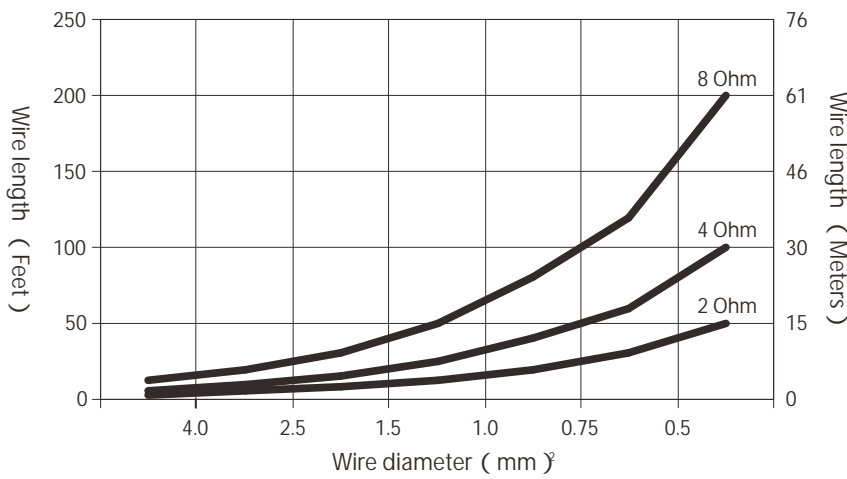
1. Banana plugs to NL4



2. NL4 to NL4



3. Consumption curve of connection cable(Only for reference, the result is different if adopting the different cables)



Installation Accessories(Optional)

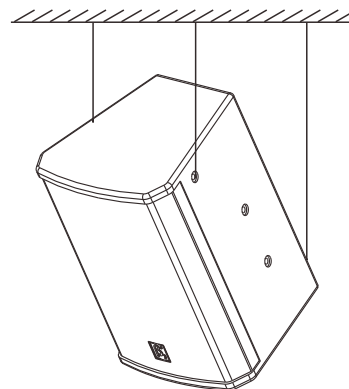
Support flange and three special mounting points are very convenient for the different applications.

1. Speaker stand

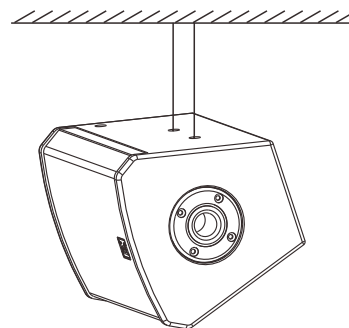


Installation Reference

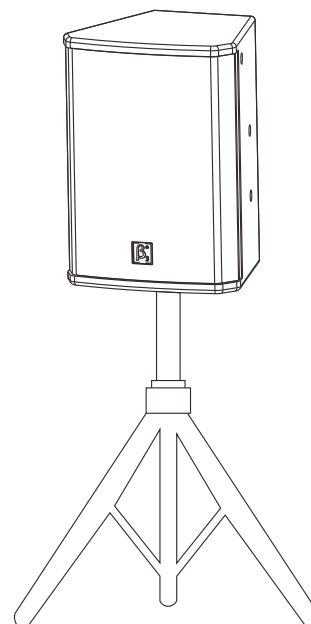
1.Reference A



2.Reference B



3.Reference C



⚠ Warning: Make sure the mounting accessories safety factor not less than 5:1 or meet the local standard during installation .

Specification

System:	Full range passive speaker
Tweeter:	1X1.4" compression driver
Woofers:	1X8" woofer
Frequency response(-3dB): ¹	80Hz-20kHz
Frequency response(-10dB):	70Hz-20kHz
Sensitivity(1W@1m): ²	92dB
Max.SPL(1m): ³	113dB/119dB(PEAK)
Power:	140W (RMS) ⁴ 280W (MUSIC) 560W (PEAK)
Dispersion (H×V) :	90° × 90°
Rated impedance:	8 ohms
Crossover point:	3kHz
Cabinet:	Wedge shape
Installation:	support flange, three mounting points
Handle:	2 × Wooden handle
Surface:	Polyurethane-based painting. Steel grille is coated by powder to provide strong ultra-Weatherability.
Connector:	NL4 × 2
Cabinet dimension: (W × D × H)	280 × 262 × 380mm (11.0 × 10.3 × 15.0in)
Package dimension: (W × D × H)	340 × 320 × 460mm (13.4 × 15.6 × 18.1in)
N.W.(Pcs):	8kg(17.6 lb)
G.W.(Pcs):	9kg(19.8 lb)
Optional accessory:	speaker stand

Speaker Testing Method

1. Frequency response

Use Pink noise to test the speaker in the anechoic room, adjust the level to make the speaker work at its rated impedance and the power output is 1W, then test the frequency response 1m away from the speaker.

2. Sensitivity

Use full range Pink noise which was modified by EQ curve to test the speaker in the anechoic room, enlarge the signal to make the speaker work at its rated impedance and the power output is 1W, then test the sensitivity 1m away from the speaker.

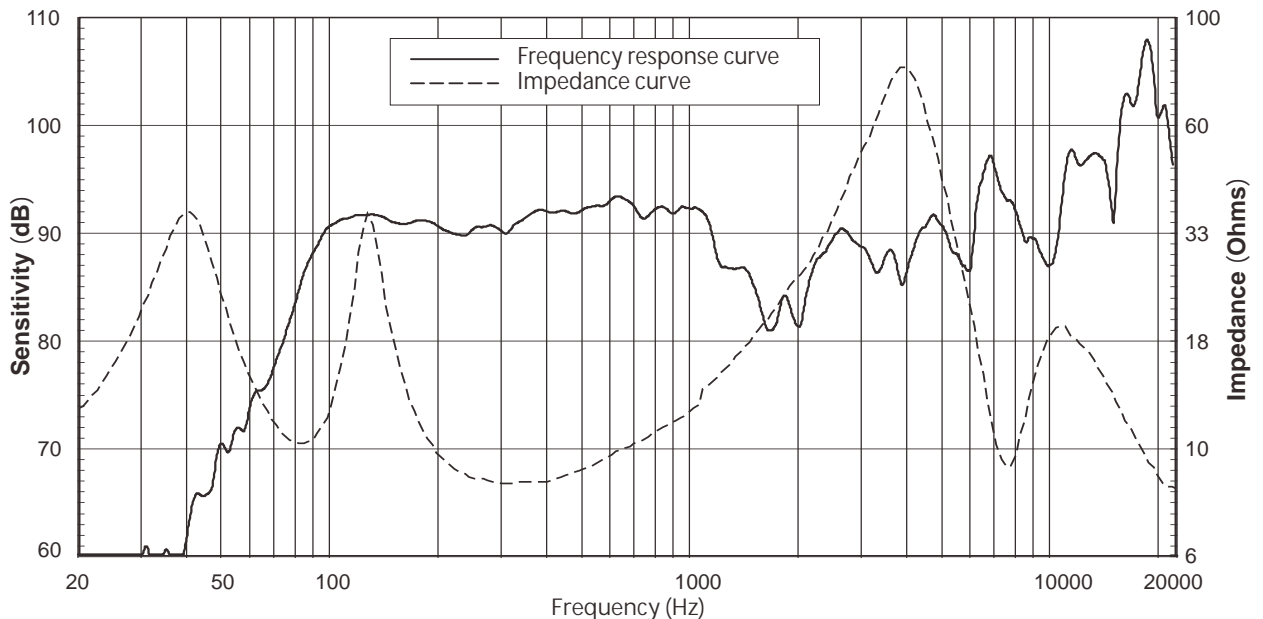
3. MAX.SPL

Use full range Pink noise which was modified by EQ curve to test the speaker in the anechoic room, enlarge the signal to make the speaker work at its instant power output level, then test the SPL 1m away from the speaker.

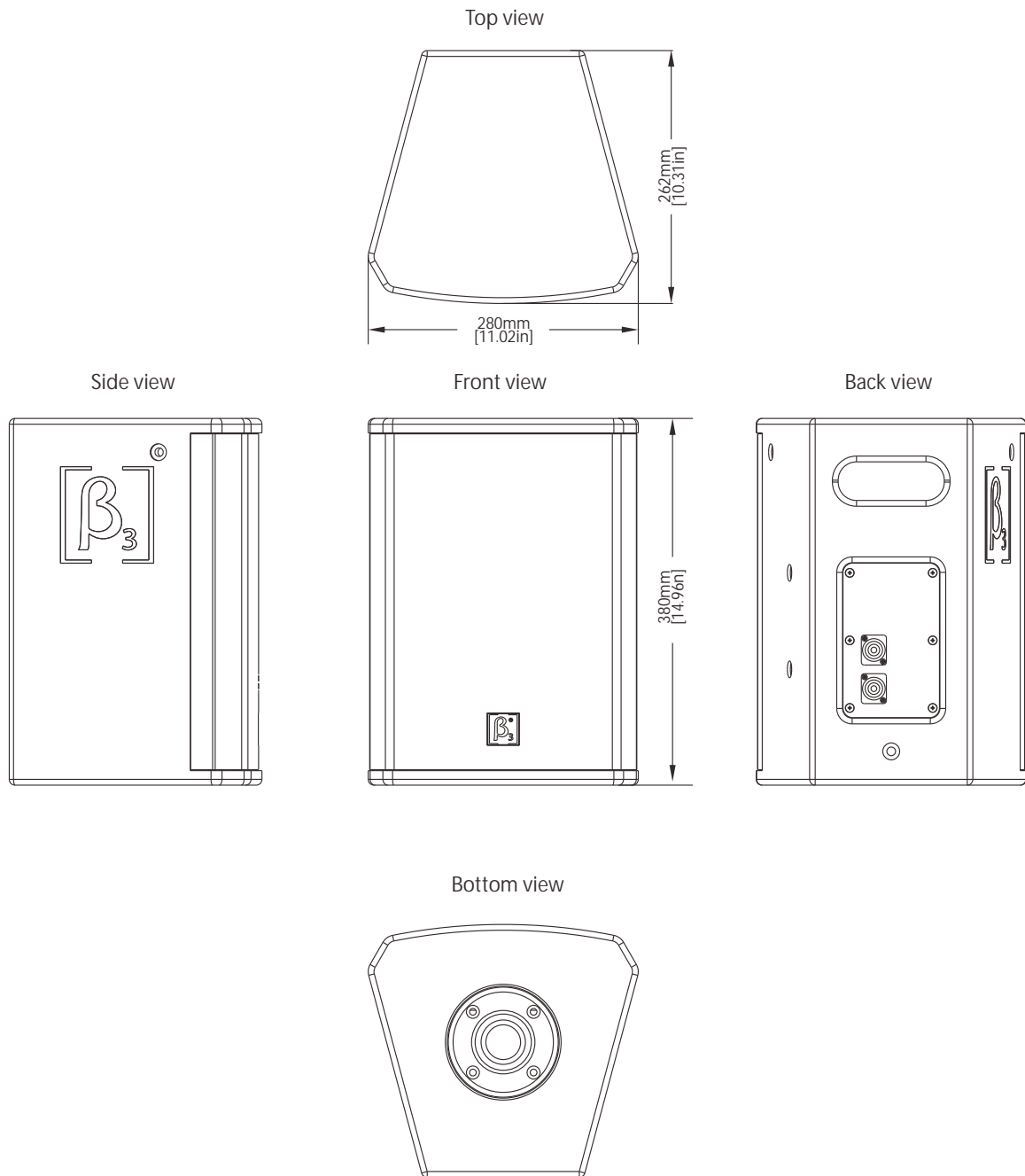
4. Rated Power

Use the pink noise according to IEC#268-5 to test the speaker, enlarge the signal for continuous 100hours, the rated Power is the power when the speaker will not incur hot damage or mechanics damage.

Frequency response curve & Impedance curve



2D Dimension



Notes:



Beta Three